

Nightlight Products

120V, 2 Pole, 3 Wire Grounding

Commercial Specification Grade Style Line® Decorator
Nightlight Only

HUBBELL

Features

- LED light activated when low levels of ambient light are detected by photosensor
- Full face lens for maximum illumination
- Pre-wired 6" leads for ease of installation

Ordering Information

Description	Device Color	UPC	Catalog Number
Style Line® decorator nightlight only	White	783585424842	DD100NLWH

Listings

UL Listed to UL1598 and UL8750
Certified to CSA, C22.2, No. 250.0-08

Specifications

Lens	Polycarbonate
Base	Nylon
Photocell Cover	PVC
Mounting Strap	Galvanized Steel
Automatic Self-grounding Staple	Stainless steel
Mounting Screws	Zinc Plated Steel

Performance

Electrical

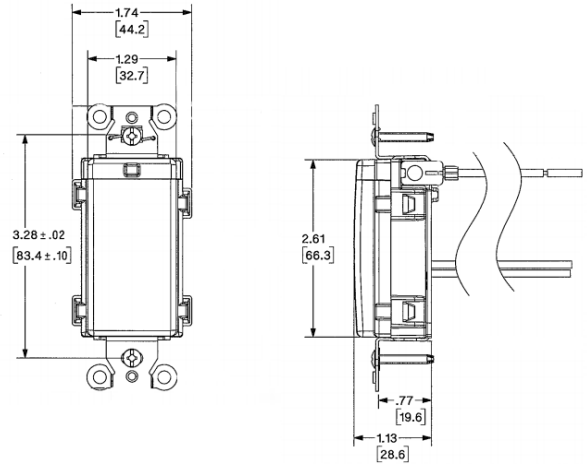
Color Temperature	3400K - 3600K
LED Energy Consumed	1 watt maximum
Light Output	1.5 Lumens
Rating	120V AC only, 1 watt max

Mechanical

Wire Leads Hot & neutral #18 AWG stranded wire & ground #12 AWG stranded wire, 6" long with ½" stripped ends

Environmental

Flammability	5VA
Operating Temperatures	Maximum continuous 75°C; minimum -40°C (w/o impact)



Online Resources

Customer Use Drawing
eCatalog
Installation Instructions

Dimensions in Inches (mm)

Hubbell Wiring Device-Kellems • Hubbell Incorporated (Delaware) • 40 Waterview Drive • Shelton, CT 06484

Phone (800) 288-6000 • Fax (800) 255-1031 • Specifications subject to change without notice.

