

homeSELECT™ Floor Boxes For Wood Floors BLACK COVER

Power Delivery

homeSELECT™ Wood Floor Boxes allow for the placement of electrical power or a combination of power and voice/data devices. Boxes easily mount into the floor and are height adjustable (up to ¼ inch) for optimal alignment and fit. UL Listed E31999 and CSA Certified.



Removable neoprene gaskets allow for independent use of either side of the receptacle with the cover closed.

Pre-assembled flange and cover for fast installation.

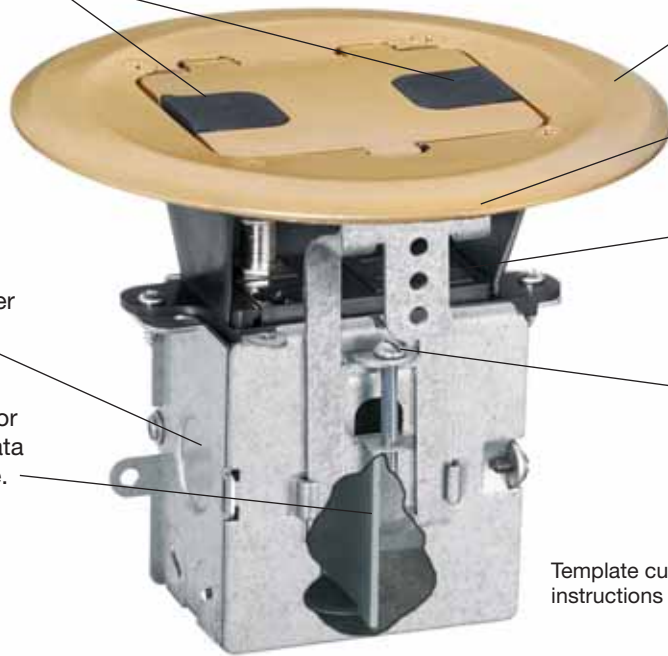
Top screw fastening and side joist mounting provided.

Recessed receptacle minimizes plug protrusion, allowing furniture to be located over the plug.

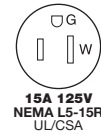
Back and side knockouts for proper wiring access.

Low voltage divider optional, provides for power and voice/data in a compact space.

Height accessible adjustments after the box is mounted.



Template cutout provided with instructions for proper installation.



RF515BK

Floor Boxes For Wood Floors

Description	Material/Color	Catalog Numbers
Decorator Duplex Receptacle Floor Box Kit Includes steel box, flange and hinged door cover assembly with duplex receptacle. Available in solid brass or durable powder coat painted finish. Designed for installation in wood floors, mounts to sub floor between joists.	Black	RF515BK
Flange and Hinged Door Cover Assembly Includes duplex receptacle, neoprene gaskets, for use with steel box RF500.	Solid Brass Stainless Finish Almond Black Chestnut Brown	RF506BR RF506SS RF506AL RF506BK RF506BN
Adjustable Floor Box 3 inches Deep Three ½-inch knockouts: One on bottom, one on each side, non-metallic sheathed cable clamps on each side.	Steel	RF500
Hinged Door Cover Only Replacement door for RF515 and RF506 series.	Solid Brass Stainless Finish Almond Black Chestnut Brown	RF507BR RF507SS RF507AL RF507BK RF507BN



RF506BR



RF500



RF507BR