

# NEMA 3R Disconnect Switches

## "Suitable as Motor Disconnects"



### SHARED FEATURES

#### All aluminum cover and base.

- Base is pre-drilled for rear surface mounting.

#### Rain tight drip shield top.

- Rolled seamless sides.

#### Wiring conduit knockouts.

- 1/2" NPT K.O. for 30A.
- 3/4" -1" NPT K.O. for 60A.
- Top, bottom or back wire entry points.



■ **CIRCUIT-LOCK<sup>®</sup>** NEMA Type 3R enclosures are "Suitable as Disconnect" when used with the 30 or 60 amp controller/disconnect.

■ Front activated lever allows mounting in tight spaces.



HBL16R93D



HBL13R89D

### CIRCUIT-LOCK<sup>®</sup> NEMA 3R Enclosures with Switch

#### Order Information

Ideal for use in outdoor environments.

#### HP Rating

Amp	Poles	120V AC	240V AC	480V AC	600V AC	Catalog Numbers
30	2	2	5	10	15	HBL13R92D
30	3	3	7.5	15	20	HBL13R89D
60	2	—	10	15	20	HBL16R92D
60	3	—	10	25	30	HBL16R93D

Note: For switch specifications refer to pages 2 and 3.



HBL13R89D

HBL16R93D

### CIRCUIT-LOCK<sup>®</sup> NEMA 3R Enclosures without Switch

#### Order Information

For use with switches shown on pages 3 and 4.

#### Description

For use with 30A switch.

#### Catalog Numbers

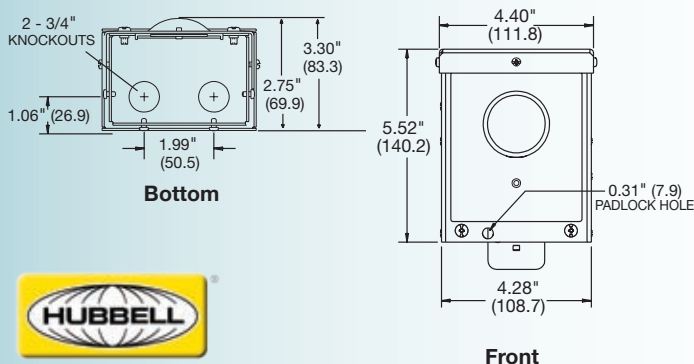
HBL13R90

For use with 60A switch.

HBL16R90

#### Dimensional Drawings

HBL13R90, HBL13R89D and HBL13R92D



HBL16R90, HBL16R92D and HBL16R93D

