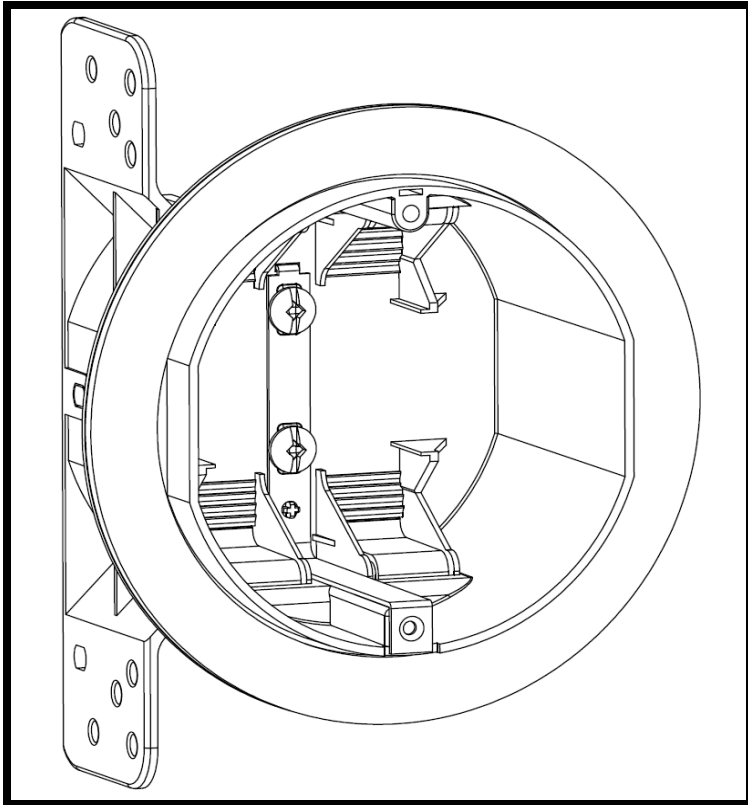


Electrical Box

Non-Metallic Round Box w/Vapour Barrier



DESCRIPTION	PRODUCT #	COLOUR
-------------	-----------	--------

4" Round Box w/Vapour Barrier	20485	Grey
----------------------------------	-------	------

FEATURES:

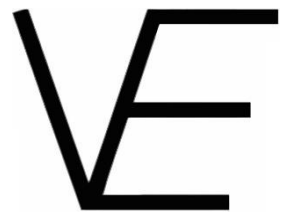
- Non-metallic round device box
- 4" Diameter x 2⁵/₈" Deep
- 26cu.in. volume
- Prepositioned depth tabs for 1/2" drywall mounting
- Markings for 5/8", and 1" drywall mounting
- 4 x Self-clamping NMD90 cable clamps (14-10AWG)
- 8-32 Device mounting holes (3.56in. apart)
- 2 x 8-32 Ground screw
- 10 x Mounting holes for box mounting
- Vapour Barrier on flange and wire entry seal unit for quick installation



20485

TESTING & CODE COMPLIANCE:

- UL STD 514C 1996, CSA Standard C22.2 No. 18.2-06
- ETL file No. 5000535



MATERIAL CHARACTERISTICS:

- Polycarbonate ABS
- Environmental: Flammability UL94, V-0 Rating
- Operating Temperatures: From -40°C (without impact) to 95°C maximum continuous
- Polyurethane Foam Gasket