

## Miscellaneous (MISC)

CP-4

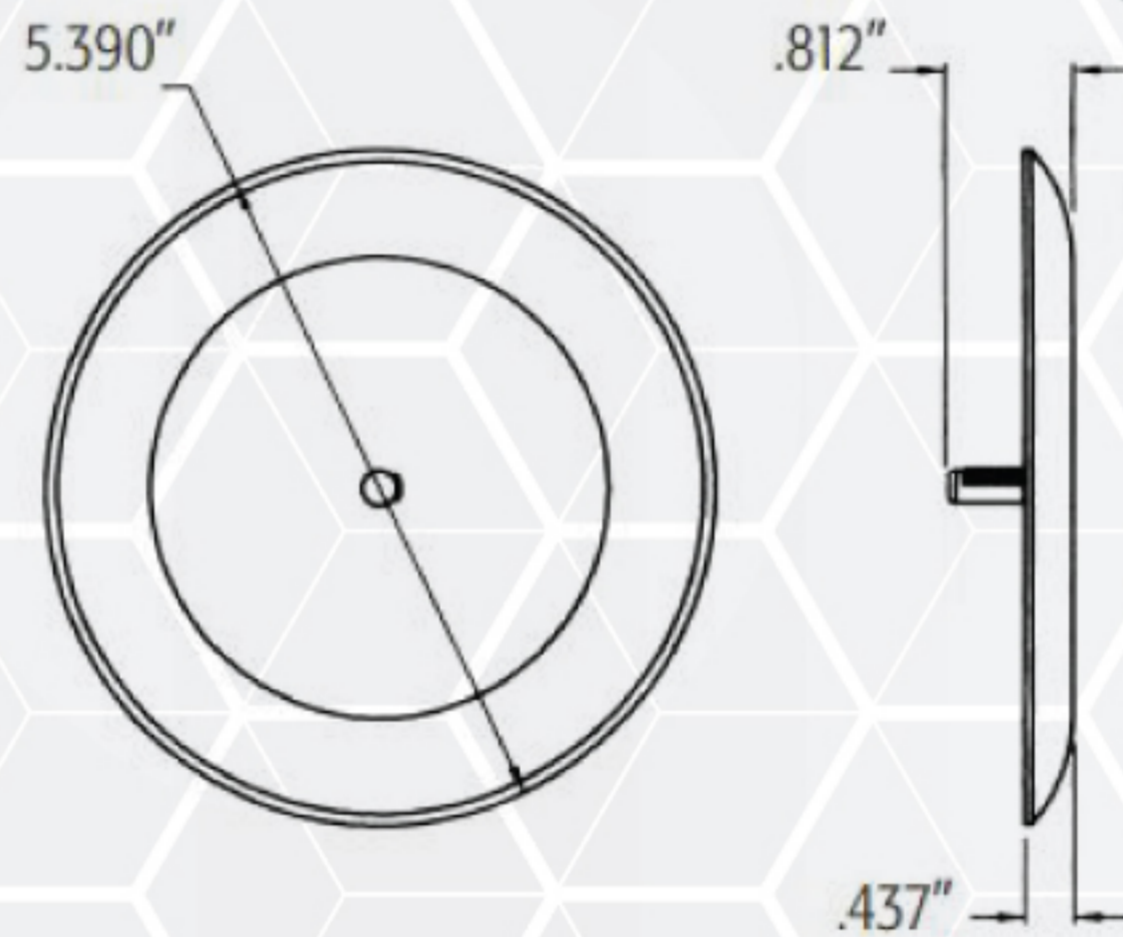
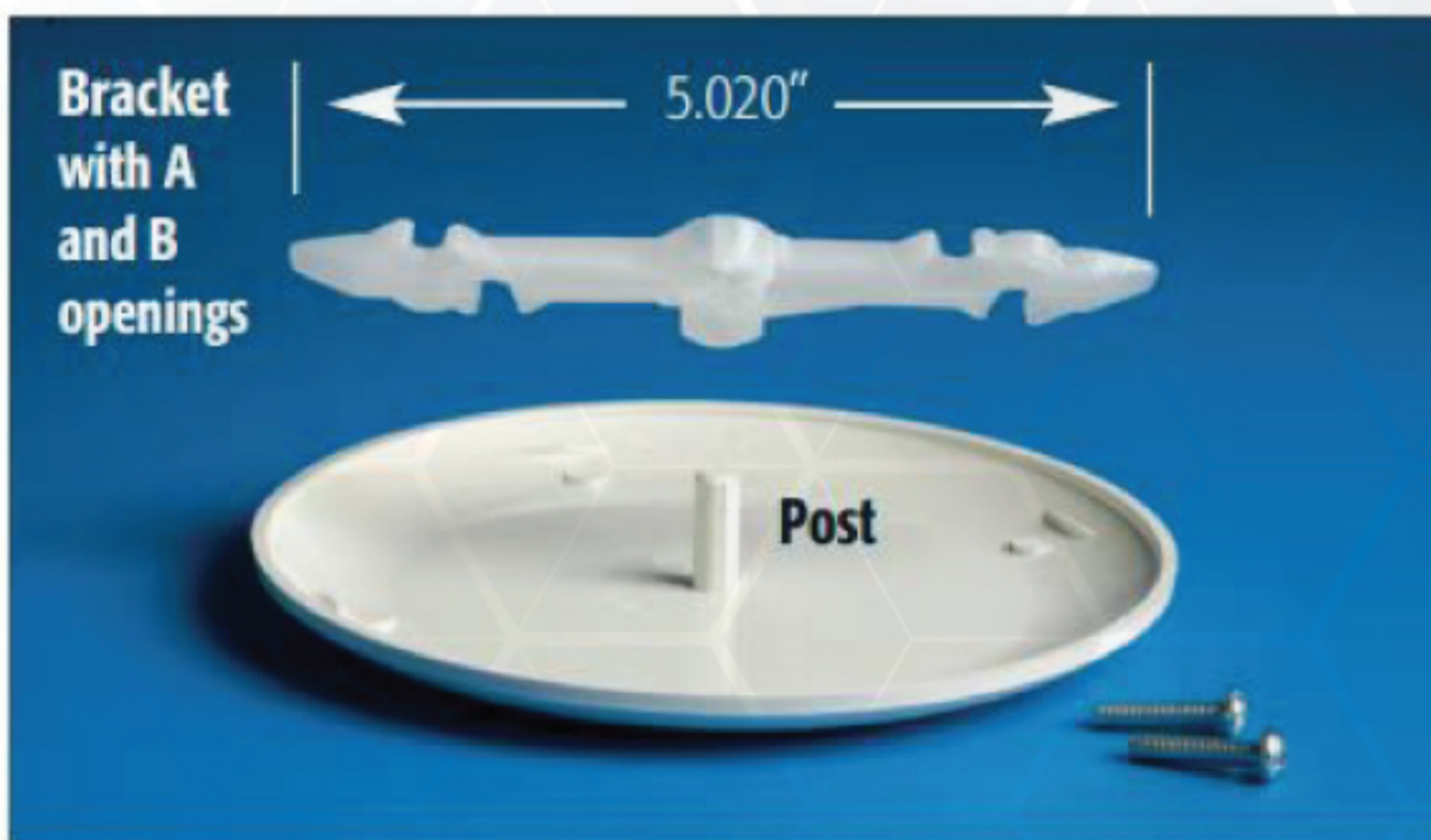
### HIGHLIGHTS

#### Plastic ceiling box cover

- Deeper cover works with pan boxes without the need to cut the post
- Comes ready to install with provided #8 screws or back out existing screws to accept notched bracket
- Bracket has two separate cover mounting options: threaded post pushes in, for flat ceilings, or screws on for textured/uneven ceilings
- Attractive cover plate - After installation, screws don't show on the ceiling
- Paintable plastic cover plate eliminates the scratches you get with painted metal covers, also covers poorly cut drywall
- Fits 3-1/2" and 4" round or octagonal boxes



### DIMENSIONS



### PACKAGE CONTAINS

- Mounting bracket
- (2) #8-32 screws
- Box cover

### INSTALLATION



Reference	QTY.	Remarks	Project:
			Location:
			Architect:
			Engineer:
			Contractor:
			Submitted by:
			Date:

ORTECH reserves the right to modify at any time, without notice, any or all of our product's features, designs, components and specifications to meet market changes.