



**PROFESSIONAL
OUTDOOR LIGHTING**

Type:

Model:

Project:

SPECIFICATION SHEET

MODEL 1101 Architectural Series • Inground & Well Lights

FIXTURE SPECIFICATIONS:

LAMP TYPE:

R20, R30, R40, PAR20, PAR30, PAR38 - Incandescent. 150W Max
Lamp not included with fixture, order separately.

HOUSING:

Compression-molded, glass-reinforced polymer for strength and high UV stability – warranted for ten years against corrosion.

LENS COVER:

Injection-molded, glass-reinforced Ryton® R-4 composite fitted to housing with a C-curved cross-section gasket– surrounding edge of lens to provide a superior dual weather-tight seal. Lens cover is also available in precision CNC-machined stainless steel.

FINISH:

Available in Black, Dark Bronze, Light Bronze, Verde, Pewter, Architectural Brick, Granite, Terra-cotta, Rust, Hunter Green, Mocha, Weathered Bronze, Weathered Iron, and White. Housing available in black only.

SOCKET/LAMP HOLDER:

Top grade porcelain, medium base 4KV pulse rated socket with spring center contact and a silicone rubber jacket protector to prevent moisture/debris from entering socket.

LENS:

Clear, tempered, shock and heat resistant, soda-lime glass lens - crowned (convex) to promote water runoff. Optical effect lenses are available; please see lens and accessories columns on fixture ordering information chart.

OPTICS/AIMING:

Adjustable lamp bracket provides up to ±25° of tilt as well as 360° of rotation for

precise beam control. Lamp bracket can be locked into place to prevent disrupting lamp position when relamping.

MOUNTING:

In-grade. Wire compartment has two ¾" NPT conduit entries for through wiring as well as a silicone rubber gasketed cover for a completely waterproof wiring compartment (Optional pre-tapped side conduit entries are available – consult factory for details). Potting compound for wiring compartment supplied with fixture. Housing design allows for direct concrete mounting with no concrete mounting kit required.

FASTENERS/INSERTS:

All fasteners are stainless steel and brass.

WIRING:

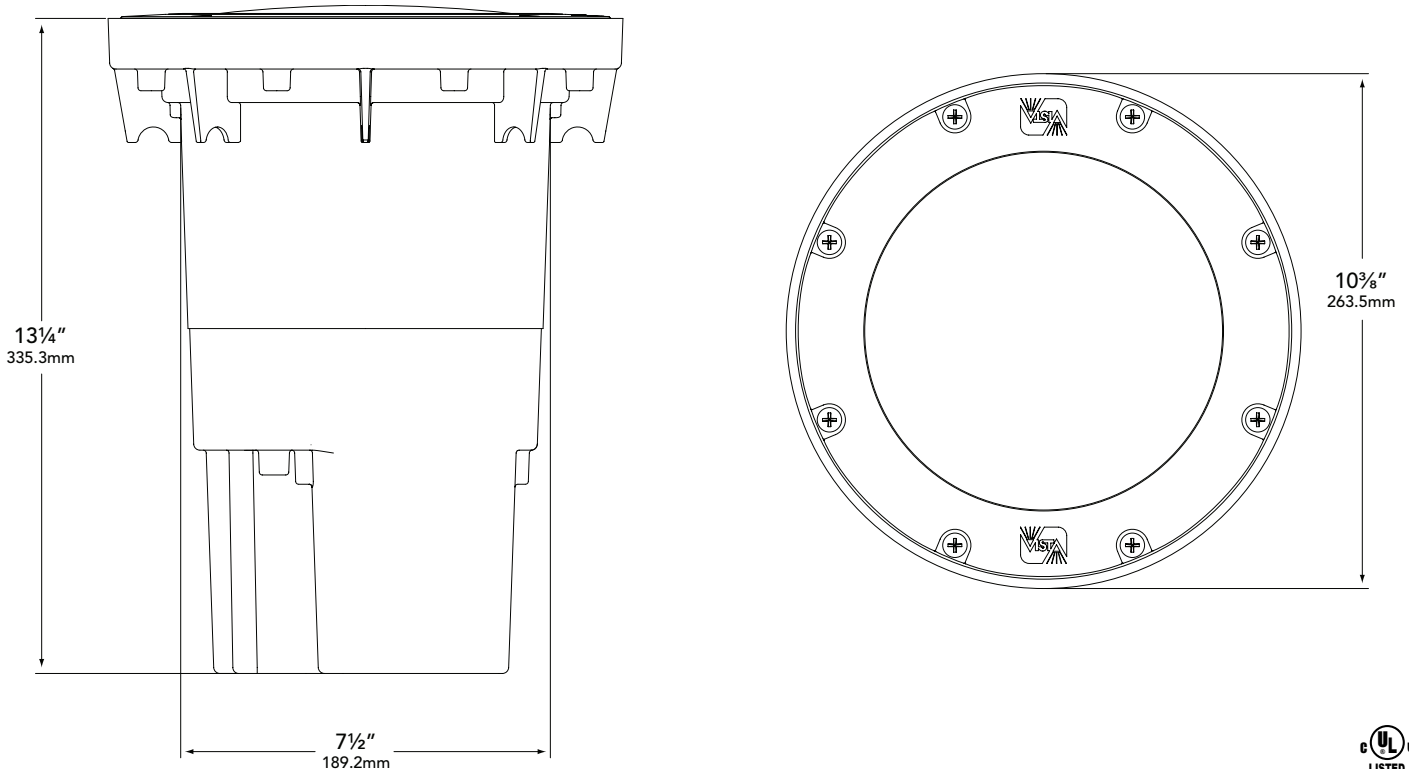
Prewired with 200°C-rated wire along with a grounded lead.

CERTIFICATION:

UL Listed to U.S. and Canadian safety standards for line voltage landscape luminaires (UL 1598). Maximum wattages allowed by Underwriters Laboratories (UL) for U.S. and Canadian markets may vary. Maximum wattages specified are Underwriters Laboratories U.S. standard. Please contact Vista for any questions about maximum wattages allowed by UL Canadian standards. This luminaire has an ingress protection rating of IP67 for protection against detrimental dust intrusion as well as penetration of water under submersion. Drive-over rated for 3,000 lb.

All Vista luminaires are **MADE IN U.S.A.**

DIMENSIONS:



Vista Professional Outdoor Lighting reserves the right to modify the design and/or construction of the fixture shown without further notification.



SPECIFICATION SHEET

MODEL 1101 Architectural Series • Inground & Well Lights

FIXTURE ORDERING INFORMATION

TO ORDER FIXTURE: Select appropriate choice from each column as in the following example.

EXAMPLE: 1101-B-CX

MODEL	FINISH	LENS
1101	B - Black DZ - Dark Bronze LZ - Light Bronze G - Verde P - Pewter BR - Architectural Brick GT - Granite TC - Terracotta R - Rust HG - Hunter Green M - Mocha WB - Weathered Bronze WI - Weathered Iron W - White SS - Stainless Steel SB - Special Bronze	CX - Crowned Clear CBL - Crowned Cool Blue CFR - Crowned Frosted

Vista Professional Outdoor Lighting reserves the right to modify the design and/or construction of the fixture shown without further notification.