



PROFESSIONAL
OUTDOOR LIGHTING

Type:

Model:

Project:

SPECIFICATION SHEET

MODEL 2250 Landscape Series • Up & Accent Lights

FIXTURE SPECIFICATIONS:

HOUSING:

Die-cast, copper-free aluminum.

SHROUD:

Die-cast, copper-free aluminum fitted to housing with a silicone O-ring gasket – providing a superior weather-tight seal.

FINISH:

Polyester powder-coat finish available in Black, Dark Bronze, Granite, White, Architectural Brick, Light Bronze, Special Bronze, Glossy Grey, Rust, Hunter Green, Weathered Bronze, Weathered Iron, Graphite Metallic, Verde, Pewter, Mocha and Olde Finish.

SOCKET/LAMP HOLDER:

Top grade ceramic socket with nickel contacts, stainless steel springs, and Teflon-jacketed wire leads.

LENS:

Clear or frosted convex glass lens. Optical effect lenses are available; see accessories column on fixture ordering information chart.

LAMP TYPE:

- MR-16 Halogen – 50W maximum. LN-50 EXN (50W) Standard.
- MR-16 LED Lamp - 36° Flood, 4.5W is standard.

MOUNTING:

Injection-molded, glass-reinforced Ryton® R-4 composite adjustable knuckle with ½" NPT. Fixture may be mounted into threaded hubs in junction boxes, ground stakes, tree-mount boxes, or mounting canopies. Please see fixture ordering information for mounting selection.

FASTENERS:

All fasteners are stainless steel.

WIRING:

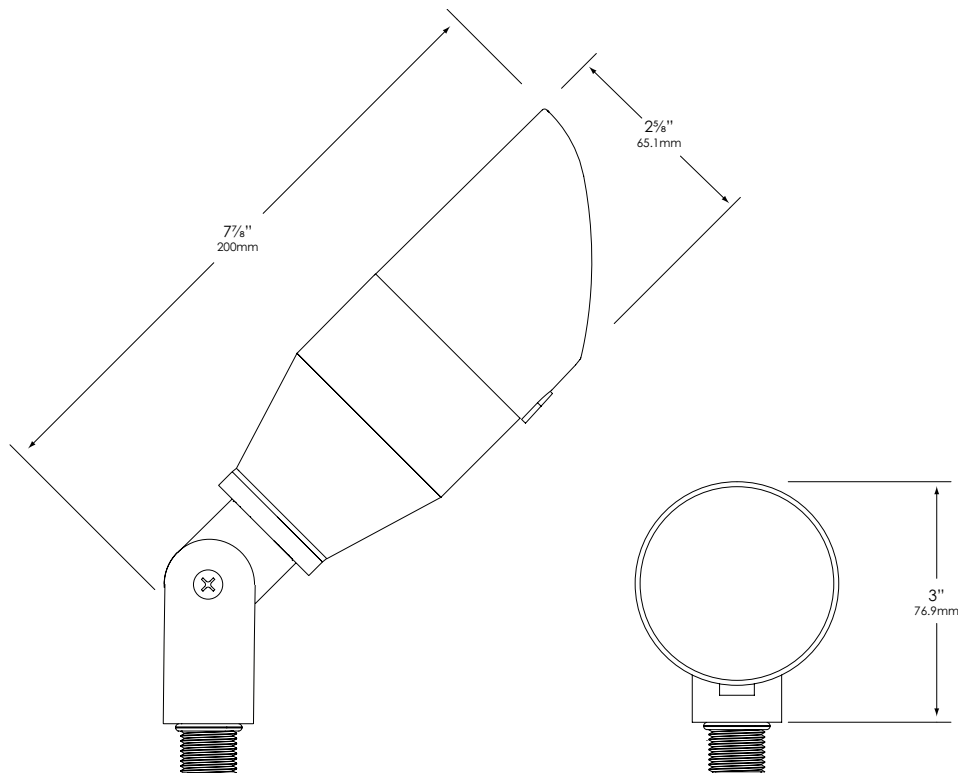
Prewired with a three-foot pigtail of 18-2 direct-burial cable and underground connectors for a secure connection to supply cable.

CERTIFICATION:

UL Listed to U.S. and Canadian safety standards for low voltage landscape luminaires (UL 1838). Maximum wattages allowed by Underwriters Laboratories (UL) for U.S. and Canadian markets may vary. Maximum wattages specified are Underwriters Laboratories U.S. standard. Please contact Vista for any questions about maximum wattages allowed by UL Canadian standards.

All Vista luminaires are **MADE IN U.S.A.**

DIMENSIONS:



Vista Professional Outdoor Lighting reserves the right to modify the design and/or construction of the fixture shown without further notification.



SPECIFICATION SHEET

MODEL 2250 Landscape Series • Up & Accent Lights

FIXTURE ORDERING INFORMATION

TO ORDER FIXTURE: Select appropriate choice from each column as in the following example.

EXAMPLE: GR-2250-B-EXN-CFR

MOUNTING	MODEL	FINISH	LAMP	ACCESSORIES
GR- ABS ground stake TR- Tree mount J-box WR- Wall mount canopy	2250	Standard	EXN - 50W	BL – Flat Cool Blue lens SL – Flat Spread lens FT – Flat Clear lens CFR – Convex Frosted lens DBL – Flat Dark Blue lens GL – Flat Dark Green lens RL – Flat Red lens YL – Flat Amber lens HL – Honeycomb louver
		B - Black Z - Architectural Bronze DZ - Dark Bronze GT - Granite W - White	MR-16 Halogen 50W Maximum LN-50 EXN (50W) Standard 4.5-W-36 - 4.5W	
		Premium	LN16-4.5-W-A-36-LED Standard LED	
		BR - Architectural Brick LZ - Light Bronze SB - Special Bronze GG - Glossy Gray R - Rust HG - Hunter Green WB - Weathered Bronze WI - Weathered Iron GM - Graphite Metallic	(Please see lamp order code column on lamp guide, Vista product catalog.)	
		Hand Finished		
		G - Verde P - Pewter M - Mocha OF - Olde Finish		

Fixtures shipped with standard lamp, unless otherwise specified.

Fixtures shipped with specified mounting hardware.