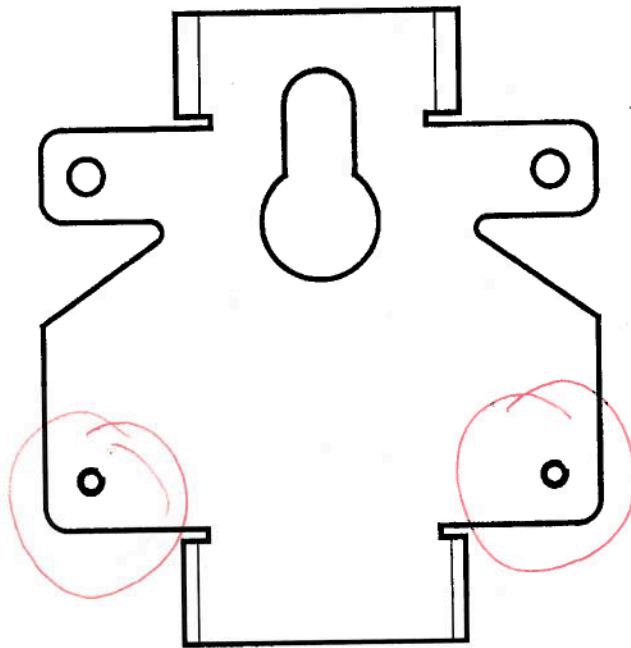


This Document should be DISCARDED if found detached from a Work Order

MSPMK5 - METER SOCKET POLE MOUNTING KIT

- 2pcs - YMS545 - BRACKET
- 2pcs - 312LG - 1/2x3 LAG BOLT Gimlet
- 4pcs - XFW0002 - 1/4 FLAT WASHER
- 4pcs - XLW0002 - 1/4 LOCK WASHER
- 4pcs - XMS6152560 - 1/4-20x3/8 MACH.SCREW
- 2pcs - XPH138RW - 1-3/8 DIA.9/16"ID. ROUND WASHER
- 1pc - XMS440-4 - INSTRUCTION SHEET

NOTE: ITEMS PACKET IN A CARTON - XCTN0105 (12x2-1/4x7-1/2)



YMS545 - REF.

A	MAY 4/17	XCTN0105 WAS XCTN0070
REV	DATE	CHANGE
DO NOT SCALE		
SCALE:	ALL DIMENSIONS ARE IN INCHES UNLESS NOTED	
DR'N BY:	PJS	DATE: FEB.10/11
APP'D BY:	<i>[Signature]</i>	DATE:
HYDEL ENTERPRISES DIVISION OF CIRCA METALS INC. 206 Great Gulf Dr., Vaughan, On.		
REV.	A	SHEET OF
DESCRIPTION		
POLE MTG.KIT METER SOCKET		
PART NO.	MSPMK5	
DWG. NO.	MSPMK5	