

# MR8



## DESCRIPTION

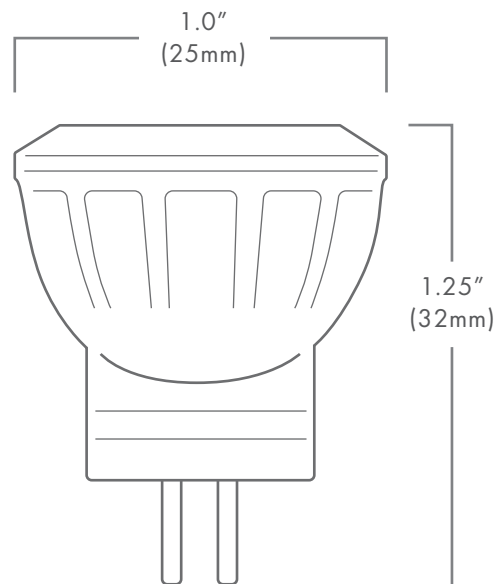
The Brilliance MR8 Bi-Pin is designed to better fit into standard, low voltage, MR8 fixtures and have a longer lamp life. These LEDs are thermally engineered to operate in enclosed fixtures and provide added security by automatically cooling down, and reducing lumen output when exposed to extreme heat (air temperatures above 125°F). There is no color shift when lumen output is reduced.

## FEATURES

- Gen 5 earth tone colored housing
- Dimmable with Brilliance Dimmer and most magnetic transformers
- Enhanced ESD (Electro-Static Discharge) protection (IEC-61000-4-2)
- Heat overload protection technology
- Fully potted PC board
- UL Listed & FCC compliant

## MR8 SPECS

Wattage	<b>1.5</b>
Lumens	<b>90</b>
Beam Spread	<b>30°, 60°, 120°</b>
Kelvin Temperature	<b>2700, 3000</b>
Operating Range	<b>8-25 VAC/DC</b>
Replaces	<b>10W Halogen</b>
CRI	<b>85</b>
IP	<b>61</b>
Lamp Life (hours)	<b>50,000</b>
Warranty (years)	<b>5</b>



Part Number: **MR8-XXXX-XXX**

Kelvin

Beam spread

