



INSTALLATION INSTRUCTIONS

FOR USE ONLY WITH LOW VOLTAGE LANDSCAPE POWER UNITS THAT DO NOT EXCEED 25 AMPS, 15 VOLT MAXIMUM.

WARNING: Luminaires must be installed in accordance with the National Electrical Code (NEC) and local codes. Failure to do so will void the warranty and may result in serious injury and/or damage to the luminaire.

SAFETY WARNING: Luminaire can become very hot depending on lamp wattage used. Lens and metal around lamp can become hot enough to blister hands. Particular care should be taken not to locate luminaires where small children can reach them if high wattage lamps are used.

WARNING: Debris must be kept clear from top and interior of in-grade fixtures. Excessive heat could occur that may create a fire hazard and/or harm the fixture components. Specific attention must be made to never install in-grade fixtures in mulch, wood chips or other potentially ignitable materials. For installation in potentially ignitable materials, such as mulch and wood chips, installer must use an above-grade mounted fixture. **FAILURE TO DO SO WILL VOID THE WARRANTY AND MAY RESULT IN SERIOUS INJURY AND/OR DAMAGE TO THE FIXTURE AND/OR PROPERTY.**

LUMINAIRES ARE NOT TO BE INSTALLED WITHIN 10 FT. (3.05M) OF A POOL OR SPA. SECONDARY CABLE IS NOT TO BE BURIED MORE THAN 6". WHEN USING MULTIPLE LUMINAIRES, LOAD IS NOT TO EXCEED THE TOTAL WATTS OF TRANSFORMER RATING. DO NOT USE EXTENSION CORDS ON POWER UNITS.

NOTE: Always use UL recognized wire connectors for connections.

NOTE: Save these instructions for future reference.



PRECAUTION: Luminaire is not submersible; adequate drainage must be provided. It is recommended the luminaire be surrounded by 3" - 4" of pea gravel or sand for proper drainage. Top of luminaire must be above grade, so rain and irrigation water will not accumulate for long periods of time.

IN-GRADE SOIL INSTALLATION:

1. To prevent electrical shock, disconnect transformer from electrical supply before installation or service.

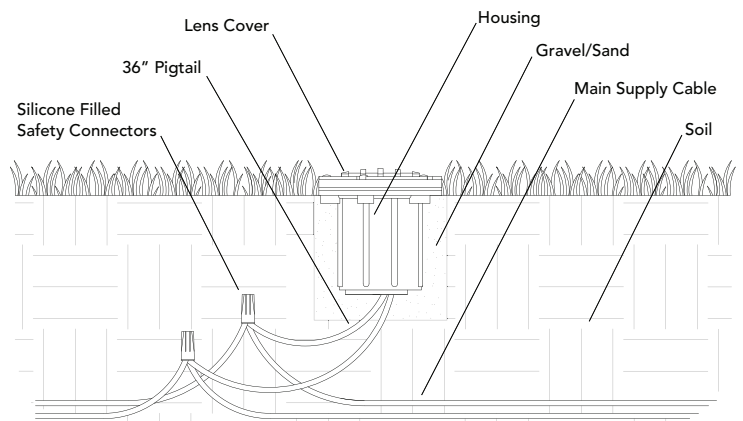
2. Dig hole approximately 10" diameter by 8" deep. This allows approximately 3" of pea gravel or sand to surround luminaire housing.

3. Strip (2) leads from luminaire pigtail wire. Using two (2) silicone filled safety connectors (provided), connect leads from luminaire to electrical supply wire leads.

NOTE: Luminaires are supplied with 36" of 18-2 cable pigtail for secure connection to electrical supply cable. Wire is to be protected by routing in close proximity to luminaire. Wiring shall be buried a maximum of 6 inches (15.2 cm) in order to connect to electrical supply wire.

4. Install luminaire in hole and backfill hole after installation with pea gravel or sand.

5. Provide power to luminaire and check for proper operation.



CONCRETE POUR INSTALLATION:

1. To prevent electrical shock, disconnect transformer from electrical supply before installation or service.

2. Dig hole approximately 10" diameter to a depth suitable to make top of fixture flush to 1/8" above grade. Pea gravel or sand is recommended for seating the luminaire housing to aid positioning.

3. Install JBCP-150 concrete mounting guard making sure the top edge of the ring lines up with the top edge of the lens cover. Secure side bands to the bottom of fixture with #10 screws provided. (Side bands of JBCP-150 may be bent outward to adjust the fit of the top ring.)

4. Remove lamp assembly and wiring compartment cover, exposing conduit entry holes.

5. Install conduit through 3/4" NPT holes in bottom of luminaire using Teflon tape or other thread sealant. Using plug (provided), seal unused conduit entry if required.

NOTE: UL listed flexible conduit is recommended for in and out connections to ease fixture position and adjustment during installation.

6. Support luminaire in selected position using standard masonry procedures.

NOTE: When installing in concrete, JBCP-150 must be flush to 1/8" above grade to promote water runoff.

7. Pull electrical supply wires (line in) through conduit and luminaire. Pull wires long enough for manual connections with safety connectors (4" to 6" above the top rim of luminaire). See fig. 3.

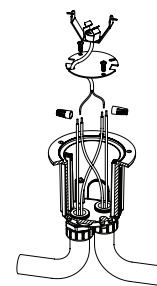
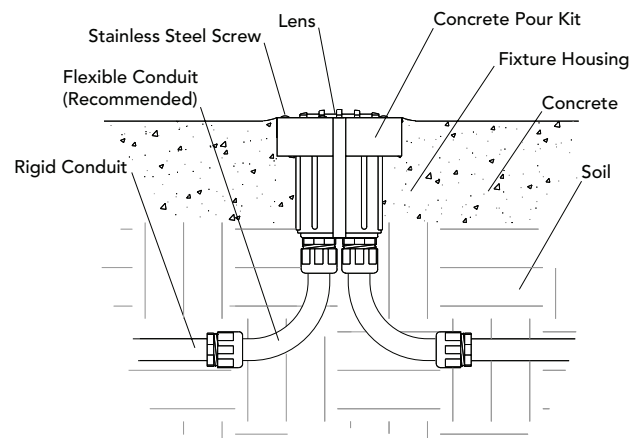


fig. 3

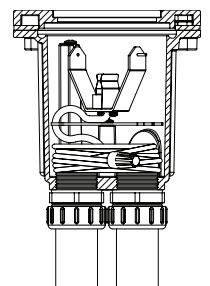


fig. 4

(CONTINUED ON OTHER SIDE)



INSTALLATION INSTRUCTIONS

NOTE: Due to the temperature requirements in the wiring compartment, UL listed THHN stranded copper electrical wire is recommended for electrical supply wires.

- 8. Make wire connections to luminaire as required using the safety connectors provided.
- 9. Coil wire leads along bottom of fixture and close wiring compartment as shown in fig. 4.

10. Pour concrete at least 2" thick.

11. Install lamp with correct wattage and type marked on the fixture label and set lamp at desired aiming angle.

12. Replace silicone rubber gasket, lens, and cover, and tighten screws evenly.
NOTE: Failure to remove all dirt and debris from gasket sealing surface may cause leakage and void the warranty.

IMPORTANT SAFETY INSTRUCTIONS - THE LIGHTED LAMP IS HOT!

WARNING: TO REDUCE THE RISK OF FIRE, OR INJURY TO PERSONS:

- 1. Turn off/unplug and allow to cool before replacing lamp.
- 2. Lamps get hot quickly! Contact only switch/plug when turning on.
- 3. Do not touch hot lens, guard or enclosure.

- 4. Keep lamp away from material that may burn.
- 5. Do not touch the lamp at any time. Use a soft cloth. Oil from the skin may damage lamp.
- 6. Do not operate luminaire fitting with a missing or damaged cover.

SAVE THESE INSTRUCTIONS

(Leave with property owner/manager)

LAMP INSTALLATION/REPLACEMENT:

CAUTION: Do not exceed maximum wattage marked on luminaire label.

- 1. To prevent electrical shock, disconnect transformer from electrical supply before service.
- 2. Loosen cover screws and remove cover.
- 3. Remove gasket.

4. Replace lamp with correct wattage and type marked on fixture label.

NOTE: DO NOT touch Halogen lamp with bare hands. Always use soft cloth or the plastic wrapping (if available) from the lamp to handle the lamp.

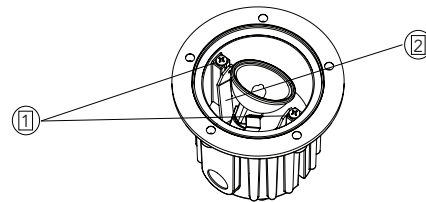
5. Clean gasket channel and re-install a new gasket.

NOTE: As a recommended practice for installers of all in-grade luminaires, Vista strongly recommends replacing the gasket with a new one each time the fixture

is unsealed for maintenance. A replacement gasket for future use is provided for your convenience. Additional gaskets for your maintenance kit may be purchased through your local Vista Professional Outdoor Lighting distributor.

NOTE: Lamp bracket may be adjusted for lamp aiming. Loosen bracket screws (1), then manually tilt bracket (2) to desired position. Tighten bracket screws afterward to secure lamp position.

6. Re-install cover and tighten the cover screws evenly.



LED:

The operating voltage range for this LED luminaire is 10.5 - 15 volt AC. The Vista electronic driver ensures the LED operates at the intended lumen output while receiving voltage as low as 6 volts, and as high as 15 VAC, resulting in a balanced lumen output from the first fixture to the last. Eliminating the dimness issues often attributed to voltage drop.

Note: Operating voltage range for LED luminaires will vary depending on model, style and total number of LEDs. To help determine the operating voltage range for each Vista luminaire, always consult factory's specification sheet and/or installation instructions before installation.

LED ENGINE INSTALLATION/REPLACEMENT:

1. To prevent electrical shock, disconnect transformer from electrical supply before service.

2. Loosen cover screws and remove cover.

3. Remove upper silicone O-ring.

4. Pull field replaceable LED engine assembly out.

5. Disconnect Connector Assembly, inspect & clean lower silicone O-ring.

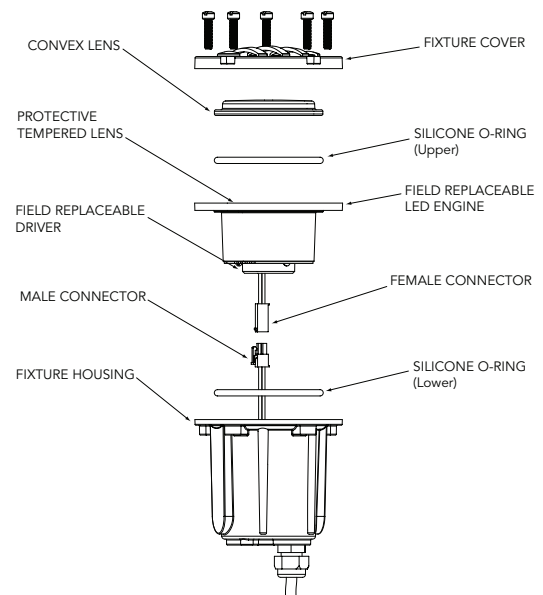
6. Connect new field replaceable LED engine to connector assembly.

7. Reinstall LED engine.

8. Clean gasket channel and reinstall a new upper silicone O-ring.

NOTE: As a recommended practice for installers of all in-grade luminaires, Vista strongly recommends replacing the gasket with a new one each time the fixture is unsealed for maintenance. A replacement gasket for future use is provided for your convenience. Additional gaskets for your maintenance kit may be purchased through your local Vista Professional Outdoor Lighting distributor.

9. Reinstall cover and tighten the cover screws evenly.



Vista Professional Outdoor Lighting reserves the right to modify the design and/or construction of the fixture shown without further notification.