



**PROFESSIONAL  
OUTDOOR LIGHTING**

Type:

Model:

Project:

# SPECIFICATION SHEET

## MODEL 5103 Landscape Series • Up & Accent Lights

### FIXTURE SPECIFICATIONS:

**HOUSING:**

Die-cast, copper-free aluminum.

**SHROUD:**

Die-cast, copper-free aluminum fitted to housing with a silicone O-ring gasket – providing a superior weather-tight seal. Hinged shroud opens easily for access to lamp and is latched securely with a stainless steel screw at top to assure compartment maintains its weather-tight seal.

**FINISH:**

Polyester powder-coat finish available in Black, Verde, Architectural Brick, Architectural Bronze, Light Bronze, Dark Bronze, Special Bronze, Granite, Pewter, Terracotta, Rust, Hunter Green, Mocha, Weathered Bronze, Weathered Iron, and White.

**SOCKET/LAMP HOLDER:**

Top grade American-made ceramic socket with nickel contacts, stainless steel springs, & Teflon-jacketed wire leads.

**LENS:**

Clear, tempered, shock & heat-resistant, soda-lime glass lens. Optical effect lenses are available; see accessories column on fixture ordering information chart.

**LAMP TYPE:**

- T4 – 75W max. LN-20 T4 Halogen (20W) Standard.
- LED T3 - 2.5W. LNT3-2.5-W-D-LED

**REFLECTOR:**

Mirror-finish high-performance aluminum for maximum light output.

**MOUNTING:**

Injection-molded, glass-reinforced Ryton® R-4 composite adjustable knuckle with 1/2" NPT. Fixture may be mounted into threaded hubs in junction boxes, ground stakes, tree-mount boxes, or mounting canopies.

**FASTENERS:**

All fasteners are stainless steel.

**WIRING:**

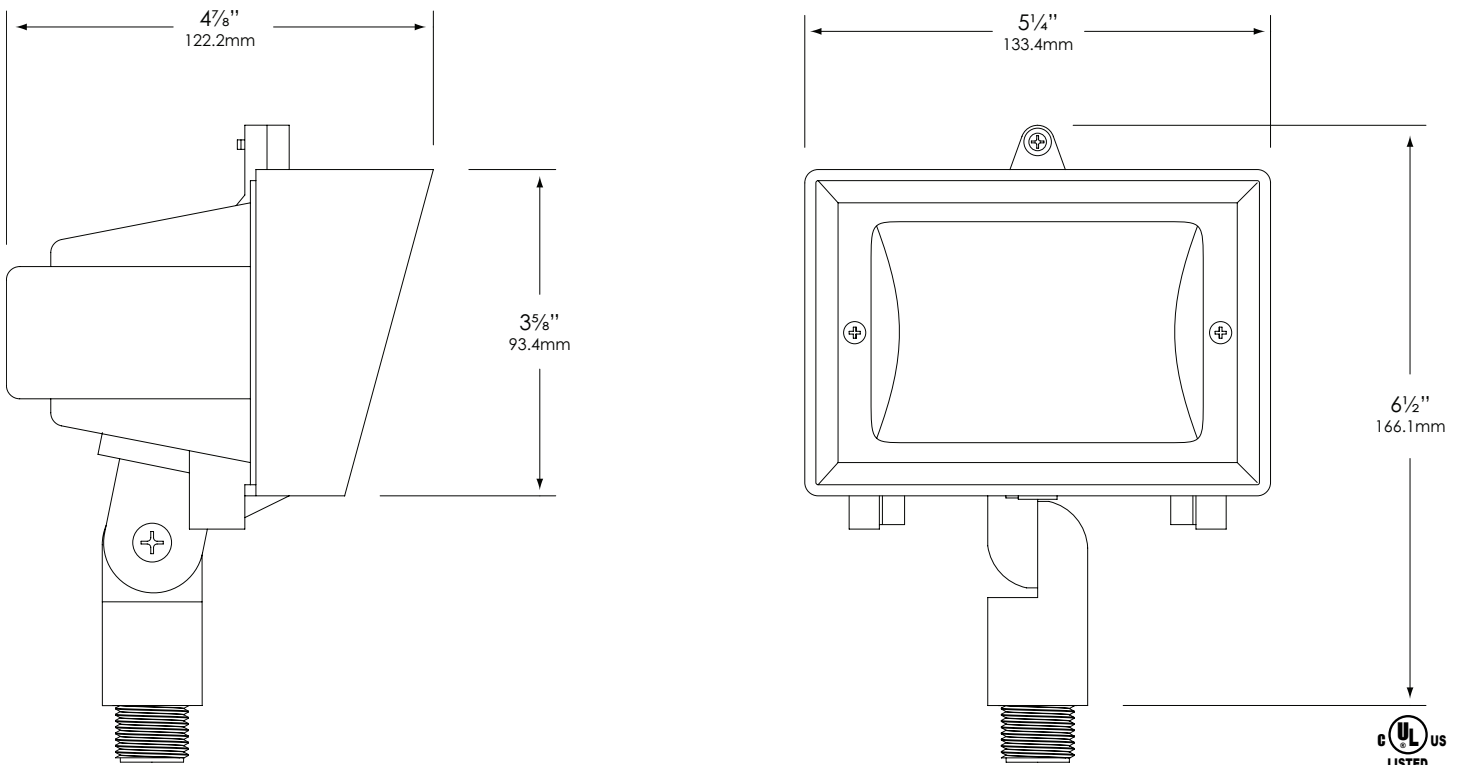
Prewired with a 3' pigtail of 18-2 direct-burial cable & underground connectors for a secure connection to supply cable.

**CERTIFICATION:**

UL Listed to U.S. & Canadian safety standards for low voltage landscape luminaires (UL 1838). Maximum wattages allowed by Underwriters Laboratories (UL) for U.S. & Canadian markets may vary. Maximum wattages specified are Underwriters Laboratories U.S. standard. Please contact Vista for any questions about maximum wattages allowed by UL Canadian standards.

All Vista luminaires are **MADE IN U.S.A.**

### DIMENSIONS:



Vista Professional Outdoor Lighting reserves the right to modify the design and/or construction of the fixture shown without further notification.



# SPECIFICATION SHEET

## MODEL 5103 Landscape Series • Up & Accent Lights

### FIXTURE ORDERING INFORMATION

TO ORDER FIXTURE: Select appropriate choice from each column as in the following example.

**EXAMPLE: GR--5103-SB-20T4-FR**

MOUNTING	MODEL	FINISH	LAMP	ACCESSORIES
GR- ABS ground stake TR- Tree mount J-box WR- Wall mount canopy	5103	B - Black G - Verde BR - Architectural Brick Z - Architectural Bronze LZ - Light Bronze DZ - Dark Bronze SB - Special Bronze GT - Granite P - Pewter TC - Terracotta R - Rust HG - Hunter Green M - Mocha WB - Weathered Bronze WI - Weathered Iron W - White	20T4 - 20 watt  T4 Halogen 75W Maximum LN-20 T4 Halogen (20W) Standard  LED T3 2.5 W LNT3-2.5-W-D-LED  <i>(Please see lamp order code column on lamp guide, Vista product catalog.)</i>	FR – Flat Frosted lens HL – Honeycomb louver

Fixtures shipped with standard lamp, unless otherwise specified.  
Fixtures shipped with specified mounting hardware.