



**PROFESSIONAL  
OUTDOOR LIGHTING**

Type:

Model:

Project:

## SPECIFICATION SHEET

### MODEL 4020 Landscape Series • Path & Spread Lights

#### FIXTURE SPECIFICATIONS:

**HOUSING:**

Die-cast, copper-free aluminum with an injection-molded, glass-reinforced polymer adjustable knuckle for fully articulated repositioning.

**SHROUD:**

Die-cast, copper-free aluminum fitted to housing with a silicone O-ring gasket – providing a superior weather-tight seal.

**STEM:**

1/2" schedule-40 aluminum pipe with 1/2" NPT.

**FINISH:**

Polyester powder-coat finish available in Black, Verde, Architectural Brick, Architectural Bronze, Light Bronze, Dark Bronze, Granite, Pewter, Terracotta, Rust, Hunter Green, Mocha, Weathered Bronze, Weathered Iron, and White.

**SOCKET/LAMP HOLDER:**

Top grade ceramic socket with nickel contacts, stainless steel springs, & Teflon-jacketed wire leads.

**LENS:**

Clear, tempered, shock & heat-resistant soda-lime glass lens.

**LAMP TYPE:**

MR-16 Halogen – 20W maximum. LN-20 BAB (20W) Standard.

**AIMING:**

Adjustable multi-access swivel provides up to ±90° of tilt from vertical as

well as 360° of full circle rotation in vertical & horizontal planes.

**MOUNTING:**

Bottom of stem threaded with 1/2" NPT. Fixture may be mounted into threaded hubs in junction boxes, ground stakes, floor mounting canopies, or architectural canopies. Architectural canopies are ideal for use in extending fixtures from walls & projecting back to light signs, wash walls, & provide accents to façades.

**FASTENERS:**

All fasteners are stainless steel.

**WIRING:**

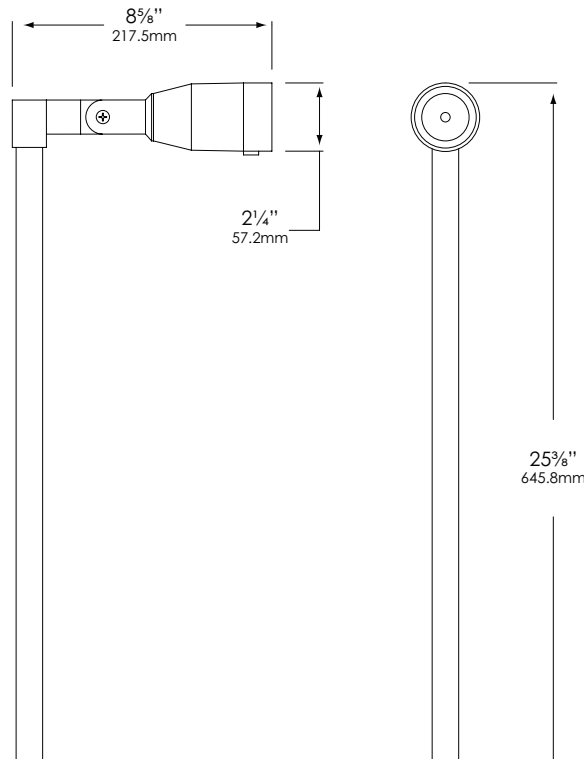
Prewired with a three-foot pigtail of 18-2 direct-burial cable & underground connectors for a secure connection to supply cable.

**CERTIFICATION:**

UL Listed to U.S. & Canadian safety standards for low voltage landscape luminaires (UL 1838). Maximum wattages allowed by Underwriters Laboratories (UL) for U.S. & Canadian markets may vary. Maximum wattages specified are Underwriters Laboratories U.S. standard. Please contact Vista for any questions about maximum wattages allowed by UL Canadian standards.

All Vista luminaires are [MADE IN U.S.A.](#)

#### DIMENSIONS:



Vista Professional Outdoor Lighting reserves the right to modify the design and/or construction of the fixture shown without further notification.



# SPECIFICATION SHEET

## MODEL 4020 Landscape Series • Path & Spread Lights

### FIXTURE ORDERING INFORMATION

TO ORDER FIXTURE: Select appropriate choice from each column as in the following example.

**EXAMPLE: ML-4020-B-BAB-SL**

MOUNTING	MODEL	FINISH	LAMP	ACCESSORIES
ML - ABS ground stake AC - Architectural canopy	4020	B - Black G - Verde BR - Architectural Brick Z - Architectural Bronze LZ - Light Bronze DZ - Dark Bronze GT - Granite P - Pewter TC - Terracotta R - Rust HG - Hunter Green M - Mocha WB - Weathered Bronze WI - Weathered Iron W - White	BAB - 20W  MR-16 Halogen 20W Maximum LN-20 BAB (20W) Standard  <i>(Please see lamp order code column on lamp guide, Vista product catalog.)</i>	BL - Flat Cool Blue lens SL - Flat Spread lens FR - Flat Frosted lens DBL - Flat Dark Blue lens GL - Flat Dark Green lens RL - Flat Red lens YL - Flat Amber lens HL - Honeycomb louver

Fixtures shipped with standard lamp, unless otherwise specified.  
 Fixtures shipped with specified mounting hardware.  
 Note: Optional custom length stems available. Consult local distributor.