

SPECIFICATION SHEET

PRODUCT # : CL-311-BR

• Underwater

• Cast Brass

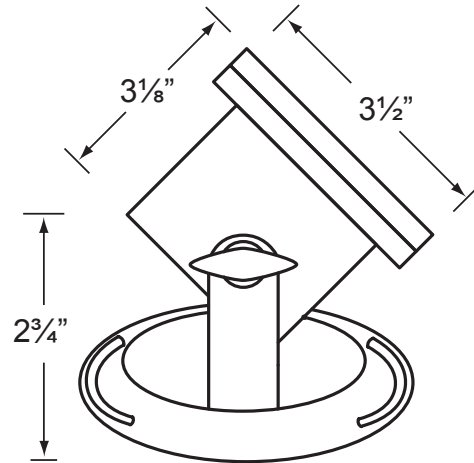
Fixture Specifications:

Housing: Corrosion resistant cast brass.
Faceplate: Cast brass with 316 marine grade stainless steel screws.
Finish : **BR- Natural Brass**
Lens: Clear, tempered, and heat resistant glass.
Socket: Top grade fixed ceramic bi-pin socket.
Lamp: 12V, MR-16 halogen 50W max. L-BAB-C20 (20w) standard. LED lamps are also available. See lamp guide, below for more information.
Gasket: Silicone "O" ring seals faceplate to housing providing water tight protection.

Wiring: Fixture is prewired with a 30-ft 16-2 SJT-W water resistant cord. Longer cord length is also available.
Mounting: Fully adjustable arms with thumb screws to provide light aiming. Fixture is mounted on a heavy duty brass bracket for a firm and stable underwater placement.
Electrical Notes: A remote 12V transformer required, may be ordered to Corona Lighting separately. Voltage range for 12V halogen lamps are 11V-12.5V. Voltage range for LED lamps are 9V-17V.
Applications: To be used in fountains, ponds, and waterfalls. Do not use in swimming pools, lakes or spas.
Warranty: Limited lifetime warranty on fixture against manufacturer's defects.



3.5W and 5W



AVAILABLE LED LAMPS (Corona LED lamps have a five (5) year limited warranty against manufacturer's defects)

LAMP NUMBER	WATTS	BEAM		COLOR & TEMP.	RATED HOURS	HALOGEN EQUIVALENT
		SPREAD	LUMEN			
L-ED16-COB5W-SP	5	15° Spot	450	2700K	50,000	50 Watt
L-ED16-COB5W-FL	5	38° Flood	450	2700K	50,000	50 Watt
L-ED16-COB5W-WF	5	60° Wide Flood	450	2700K	50,000	50 Watt
L-ED16-COB5W-SP3K	5	15° Spot	470	3000K	50,000	50 Watt
L-ED16-COB5W-FL3K	5	38° Flood	470	3000K	50,000	50 Watt
L-ED16-COB5W-WF3K	5	60° Wide Flood	470	3000K	50,000	50 Watt
L-ED16-3W-SP	3.5	15° Spot	270	2700K	50,000	25 Watt
L-ED16-3W-FL	3.5	45° Flood	270	2700K	50,000	25 Watt
L-ED16-3W-WF	3.5	60° Wide Flood	270	2700K	50,000	25 Watt
L-ED16-5W-SP	5	15° Spot	350	2700K	50,000	40 Watt
L-ED16-5W-FL	5	45° Flood	350	2700K	50,000	40 Watt
L-ED16-5W-WF	5	60° Wide Flood	350	2700K	50,000	40 Watt

For more additional Lamps, and accessories visit Coronalighting.com

JOB INFORMATION

TYPE: _____ DATE: _____
 JOB NAME & ADDRESS: _____
 PRODUCT #: _____
 TOTAL QUANTITY: _____
 LAMP TYPE & WATTAGE: _____
 TRANSFORMER: _____
 CONTRACTOR: _____
 SPECIFIER: _____

• When ordering LED lamp with a fixture your part number should follow the format below:

• **CL** - **product #** - **lamp** - **wattage** - **lamp angle**
CL - 311-BR - L-ED16 - 5W - FL

Example: CL-311-BR-L-ED16-5W-FL

• Corona Lighting reserves the right to make any change and/or improvement to the design and construction of this fixture without further notification.