

# GE PowerMark Loadcentres



## Single phase 30-225A

Main breaker 22KAIC rated standard - factory installed

All Loadcentres Top or Bottom Entry

Indoor and outdoor rated enclosures available

Copper bus standard

Includes Door Kits

Suitable for use as service entrance equipment when installed in accordance with the CEC



GE  
Industrial Solutions

1 Phase & 3 Phase  
Main Breaker Panels and Load Centres

[WWW.LITE-SCAPE.COM](http://WWW.LITE-SCAPE.COM)

1-888-739-3555

# GE Loadcentres

## 120/240 V - Single Phase

Main Breaker - 22KA MAIN BREAKER AND DOOR / THQP & THQL

AMPS (MB)	Catalogue Number Indoor Enclosure	Catalogue Number Type 3R Enclosure	Maximum Circuits				Total 1-Pole Spaces
			1" THQL		1/2" THQP		
			1P	2P	1P	2P	
100	TMC1210CCA	TMC1210RCA	12	6	24	10	24
100	TMC1610CCA		16	8	32	14	32
100	TMC2010CCA		20	10	40	18	40
100	TMC2410CCA		24	12	48	22	48
100	TMC3210CCA		32	16	64	20	64
125	TMC2012CCA		20	10	40	18	40
125	TMC1612CCA		16	8	32	14	32
125	TMC2412CCA		24	12	48	22	48
125	TMC3212CCA		32	16	64	20	64
150	TMC2015CCA		20	10	40	18	40
150	TMC2415CCA		24	12	48	22	48
150	TMC3215CCA		32	16	64	30	64
150	TMC4015CCA		40	20	80	38	80
200	TMC2020CCA	TMC2020RCA	20	10	40	18	40
200	TMC3220CCA		32	16	64	30	64
200	TMC4020CCA		40	20	80	38	80



imagination at work

[WWW.LITE-SCAPE.COM](http://WWW.LITE-SCAPE.COM)

1-888-739-3555

# GE Loadcentres

## 120/240 V - Single Phase

Main Lug

AMPS (ML)	Catalogue Number Indoor Enclosure	Catalogue Number Type 3R Enclosure	Maximum Circuits				Total 1-Pole Spaces
			1" THQL		1/2" THQP		
			1P	2P	1P	2P	
40	TLC240SCU	TLC240RCU	2	1	4	1	4
70	TLC270SCU	TLC270RCU	2	1	4	1	4
100	TLC410C	TLC410R <sup>1</sup>	4	2	8	3	8
100	TPLC410C <sup>1</sup>	TPLC410R <sup>1</sup>	4	2	8	3	8
125	TLC612SCU/FCU <sup>2</sup>		6	3	8	3	8
125	TLC612SCUD/FCUD <sup>2 3</sup>		6	3	12	4	12
125	TLC812SCU/FCU <sup>2</sup>	TLC812RCU	8	4	12	4	12
125	TLC812SCUD/FCUD <sup>2 3</sup>		8	4	16	6	16
125	TLC1212CCA	TLC1212RCA	12	6	24	10	24
125	TLC1612CCA		16	8	32	14	32
125	TLC2412CCA	TLC2412RCA	24	12	48	22	48
200	TLC1620CCA		16	8	32	16	32
200	TLC2020CCA	TLC2020RCA	20	10	40	18	40
200	TLC3220CCA		32	16	64	30	64
200	TLC4020CCA	TLC4020RCA	40	20	80	38	80
225	TLC4222CCA <sup>4</sup>	TLC4020RCA	42	20			42

<sup>1</sup> Thermoplastic Enclosure.

<sup>2</sup> SCU indicates surface mount enclosure. FCU indicates flush mount enclosure.

<sup>3</sup> Includes optional door.

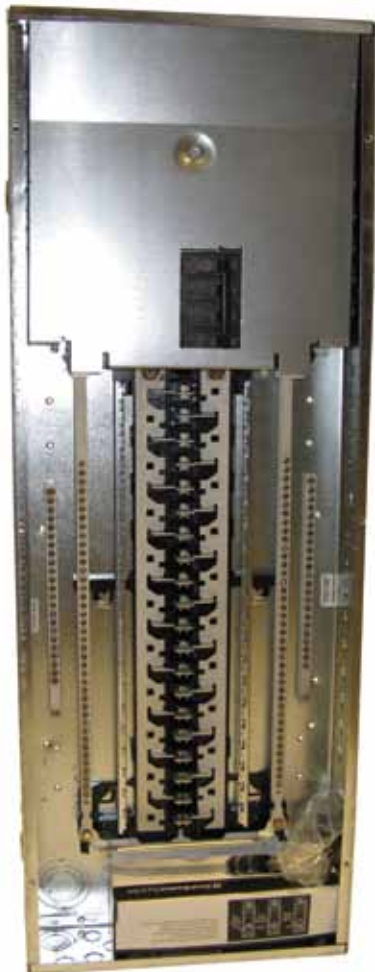
<sup>4</sup> Accepts 1" THQL breakers only



imagination at work

WWW.LITE-SCAPE.COM  
1-888-739-3555

# GE PowerMark Loadcentres



## Three phase 100-225A

All Loadcentres Top or Bottom Entry

Indoor and outdoor rated enclosures available

Indoor fronts surface or flush

Copper bus standard

Includes Door Kits

Exclusive life time warranty

Suitable for use as service entrance equipment  
when installed in accordance with the CEC



imagination at work

[WWW.LITE-SCAPE.COM](http://WWW.LITE-SCAPE.COM)

1-888-739-3555

# GE Loadcentres

## 120/208 V - Three Phase

Main Breaker

AMPS (MB)	Catalogue Number Indoor Enclosure	Catalogue Number Type 3R Enclosure	Maximum Circuits			Total 1-Pole Spaces
			1" THQL			
			1P	2P	3P	
100	TMC12410C		12	6	4	12
100	TMC18410C		18	8	6	18
125	TMC30412C		30	14	10	30
200	TMC42420C	TMC42420R	42	20	14	42

3ph 120/208V loadcentre only accepts 1" THQL style brks.



imagination at work

[WWW.LITE-SCAPE.COM](http://WWW.LITE-SCAPE.COM)

1-888-739-3555

# GE Loadcentres

## 120/208 V - Three Phase

Main Lug

AMPS (ML)	Catalogue Number Indoor Enclosure	Catalogue Number Type 3R Enclosure	Maximum Circuits			Total 1-Pole Spaces
			1" THQL			
			1P	2P	3P	
125	TLC12412C	TLC12412R	12	6	4	12
150	TLC18415C		18	8	6	18
150	TLC24415C	TLC24415R	24	12	8	24
200	TLC18420C		18	8	6	18
200	TLC30420C	TLC30420R	30	14	10	30
200	TLC42420C	TLC42420R	42	20	14	42
225	TLC30422C		30	14	10	30
225	TLC42422C		42	20	14	42

3ph 120/208V loadcentre only accept 1" THQL style brks.



imagination at work

WWW.LITE-SCAPE.COM  
1-888-739-3555

# GE Loadcentres

## Breakers & Accessories

	1 POLE	2 POLE	1 POLE	2 POLE	3 POLE
AMPS	1/2" THQP (fits single phase only)		1" THQL		
15	THQP115	THQP215	THQL1115	THQL2115	THQL32015
20	THQP120	THQP220	THQL1120	THQL2120	THQL32020
30	THQP130	THQP230	THQL1130	THQL2130	THQL32030
40	THQP140	THQP240	THQL1140	THQL2140	THQL32040
50	THQP150	THQP250	THQL1150	THQL2150	THQL32050
60				THQL21060	THQL32060
70				THQL21070	THQL32070
80				THQL21080	THQL32080
90				THQL21090	THQL32090
100				THQL21100	THQL32100
15 Arc Fault			THQL1115AF	THQL2115AF	
15 GFI			THQL1115GF	THQL2115GF	
SUB-FEED & FEED THRU LUGS					
	125			THLK2125	THLK3125
	150			THLK2150	
	200			THLK2200	
	225				THLK3225

- Panel Filler 1/2" TFH/ 1" TQLFP1
- Door Replacement screw kit THRWKIT



imagination at work

[WWW.LITE-SCAPE.COM](http://WWW.LITE-SCAPE.COM)

1-888-739-3555

# GE Loadcentres

CATALOGUE #	DESCRIPTION
-------------	-------------

## Arc Fault Breakers

1" THQL

THQL1115AF	1P 15A AFCI
THQL1120AF	1P 20A AFCI

## Ground Fault Breakers

1" THQL

THQL1115GF	1P 15A GFCI
THQL1120GF	1P 20A GFCI
THQL2115GF1	2P 15A GFCI
THQL2120GF1	2P 20A GFCI
THQL2130GF1	2P 30A GFCI
THQL2140GF1	2P 40A GFCI
THQL2150GF1	2P 50A GFCI

## TVSS

THQLSURGE	2P Plug-In 27kA TVSS
THQLSURGE60	Side Mount Retro-Fit TVSS 60kA

## Spa Panels

TL412R250GF	SPA Panel c/w 2P 50A GFCI
TL412R260GF	SPA Panel c/w 2P 60A GFCI

## Generator Panels

NEMA 1 Enclosure

TM830FCUGEN	30A, 8 cct Panel, Flush Mount
TM830SCUGEN	30A, 8 cct Panel, Surface Mount
TM860FCUGEN	60A, 8 cct Panel, Flush Mount
TM860SCUGEN	60A, 8 cct Panel, Surface Mount

## Generator Panels

NEMA 3R Enclosure

TM830RCUGEN	30A, 8 cct Panel
TM860RCUGEN	60A, 8 cct Panel



THQL115GF  
Ground Fault Breaker



THQLSurge  
Surge Protector



TL412R250GF  
Spa Panel c/w 2P 50A GFCI



# GE Loadcentres

## Canada Single Phase

Main Amp Rating	Load Center Cat. No.	Mod. No.	Front Cat. No.	
100	TMC1210CCA	M01	TMC12A	
	TMC1210CCU	M01	TMC12A	
	TMC1610CCA	M01	TMC16A	
	TMC1610CCU	M01	TMC16A	
	TMC2010CCA	M01	TMC20A	
	TMC2010CCU	M01	TMC20A	
	TMC2410CCA	M01	TMC24A	
	TMC2410CCU	M01	TMC24A	
	TMC3210CCA	M01	TMC32A	
	TMC3210CCU	M01	TMC32A	
	125	TLC1212CCA	M01	TLC12A
		TLC1212CCU	M01	TLC12A
		TLC1612CCA	M01	TLC16A
		TLC1612CCU	M01	TLC16A
TLC2412CCA		M01	TLC24A	
TLC2412CCU		M01	TLC24A	
TLC612FCU		M01	TLC6FC	
TLC612FCUD		M01	TLC8FCD	
TLC612SCU		M01	TLC6SC	
TLC612SCUD		M01	TLC6SCD	
TLC812FCU		M01	TLC8FC	
TLC812FCUD		M01	TLC8FCD	
TLC812SCU		M01	TLC8SCD	
TLC812SCUD		M01	TLC8SCD	
TMC1612CCA		M01	TMC16B	
TMC1612CCU		M01	TMC16B	
TMC2012CCA		M01	TMC20B	
TMC2012CCU		M01	TMC20B	
TMC2412CCA		M01	TMC24B	
TMC2412CCU		M01	TMC24B	
TMC3212CCA		M01	TMC32B	
TMC3212CCU		M01	TMC32B	
150		TMC2015CCA	M06	TMC20CD
		TMC2015CCU	M01	TMC20C
		TMC2015CCU	M06	TMC20CD
		TMC2415CCA	M06	TMC24CD
		TMC2415CCU	M01	TMC24C
		TMC2415CCU	M06	TMC24CD
	TMC3215CCA	M06	TMC32CD	
	TMC3215CCU	M01	TMC32C	
	TMC3215CCU	M06	TMC32CD	
	TMC4015CCA	M06	TMC40AD	
	TMC4015CCU	M01	TMC40A	
	TMC4015CCU	M06	TMC40AD	
	200	TLC1620CCA	M01	TLC16B
		TLC1620CCU	M01	TLC16B
TLC2020CCA		M01	TLC20A	
TLC2020CCU		M01	TLC20A	
TLC3220CCA		M01	TLC32A	
TLC3220CCU		M01	TLC32A	
TLC4020CCA		M01	TLC40A	
TLC4020CCU		M01	TLC40A	
TMC2020CCA		M06	TMC20DD	
TMC2020CCU		M01	TMC20D	
TMC2020CCU		M06	TMC20DD	
TMC3220CCA		M06	TMC32DD	
TMC3220CCU		M01	TMC32D	
TMC3220CCU		M06	TMC32DD	
TMC4020CCA		M06	TMC40BD	

Main Amp Rating	Load Center Cat. No.	Mod. No.	Front Cat. No.
200 <i>(continued)</i>	TMC4020CCU	M01	TMC40B
	TMC4020CCU	M06	TMC40BD
	TLC4222CCA	M01	TLC42A
	TLC4222CCU	M01	TLC42A

### Three Phase

Main Amp Rating	Load Center Cat. No.	Mod. No.	Front Cat. No.
100	TMC12410C	M01	TMC124A
	TMC18410C	M01	TMC184A
125	TMC30412C	M01	TMC304A
150	TLC18415C	M01	TLC184A
	TLC24415C	M01	TLC244A
200	TLC18420C	M01	TLC184B
	TLC30420C	M01	TLC304A
	TLC42420C	M01	TLC424A
	TMC42420C	M01	TMC424A
225	TLC30422C	M01	TLC304B
	TLC42422C	M01	TLC424B

## International

### Single Phase

Main Amp Rating	Load Center Cat. No.	Mod. No.	Front Cat. No.
125	TLM1212CCUX2	M01	TLM12ACX
	TLM1612CCUX2	M01	TLM16ACX
	TLM2412CCUX2	M01	TLM2412
	TLM612FCUDX2	M01	TLM6FCD
	TLM612SCUDX2	M01	TLM6SCD
	TLM812FCUDX2	M01	TLM8FCD
	TLM812SCUDX2	M01	TLM8SCD
	150	TL1615CCUX2	M01
TL2015CCUX2		M01	TL20CX
200	TL2020CCUX2	M01	TL20ACX
	TL3220CCUX2	M01	TL32CX
	TL4020CCUX2	M01	TL40CX
225	TL4222CCUX2	M01	TL42DCX

### Three Phase

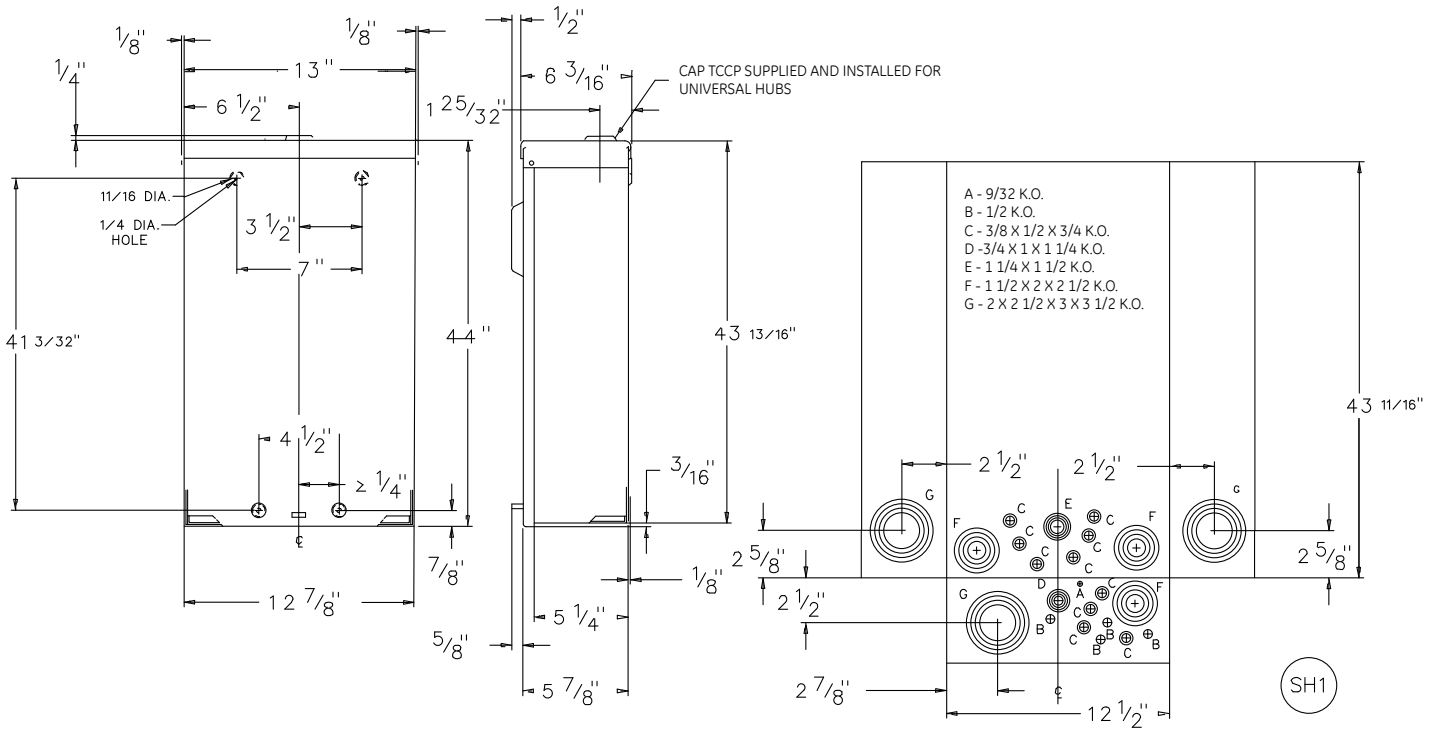
Main Amp Rating	Load Center Cat. No.	Mod. No.	Front Cat. No.	
100	TM12410CBX2	M01	TM12CBX2	
	TM12410CBX2	M01	TM12CBX2	
	TM12410CX2	M02	TM12ACX	
	TM12410CX2LB	M02	TM12ACX	
	TM18410CX2	M02	TM18ACX	
125	TL12412CX2	M02	TL12ACX	
	TM30412CX2	M02	TM30BCX	
150	TL18415CX2	M02	TL18ACX	
	TL24415CX2	M02	TL24ACX	
	TM24415CBX2	M02	TMB24BCX	
	TM24415CBX2LB	M02	TMB24BCX	
	TM24415CX2	M02	TM24BCX	
	TM24415CX2LB	M02	TM24BCX	
	TM30415CX2	M02	TM30BCX	
	TM30415CX2LB	M02	TM30BCX	
	TM42415CX2	M02	TM42DCX	
	200	TL18420CX2	M02	TL18BCX
TL30420CX2		M02	TL30DCX	
TL42420CX2		M02	TL42BCX	
TM24420CX2		M02	TM24DCX	
TM24420CX2		M02	TM24DCX	
TM30420CX2		M02	TM30DCX	
TM42420CX2		M02	TM42ECX	
TM42420CX2		M02	TM42ECX	
TM42420CX2LB		M02	TM42ECX	
225		TL30422CX2	M01	TL30ACX
		TL42422CX2	M01	TL42ACX
		TM42422CX2	M01	TM42BCX
	TM42422CX2	M01	TM42BCX	

Most of the items in the shaded rows are obsolete. In addition to ordering the replacement front with the largest model number, order a new THQMV (KR main). The catalog number will be THQMVXXXD where XXX is the main breaker amp rating. Example: THQMV200D for a 200A main breaker.



imagination at work

# GE Loadcentres



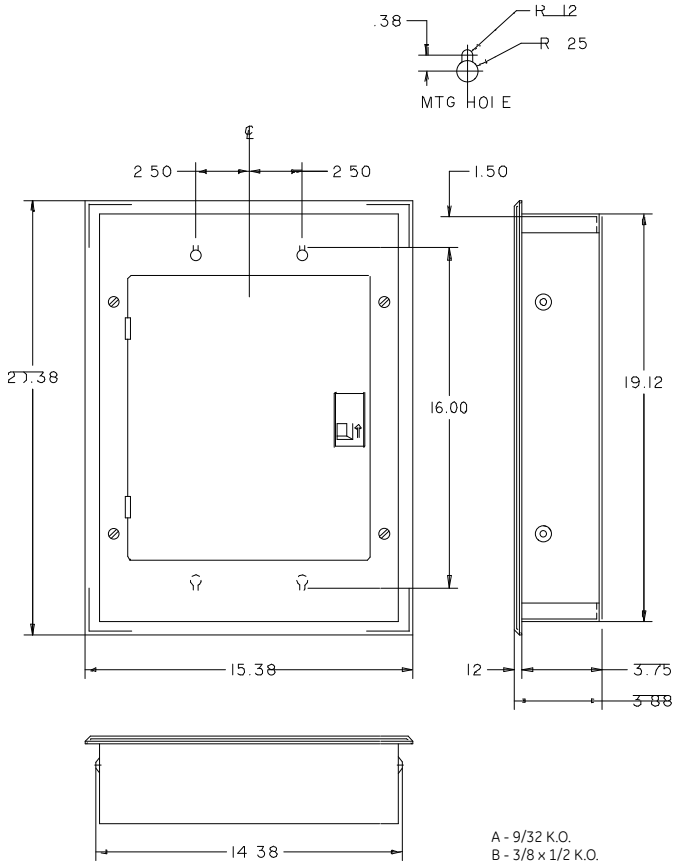
TLC4020RCA MODEL 1



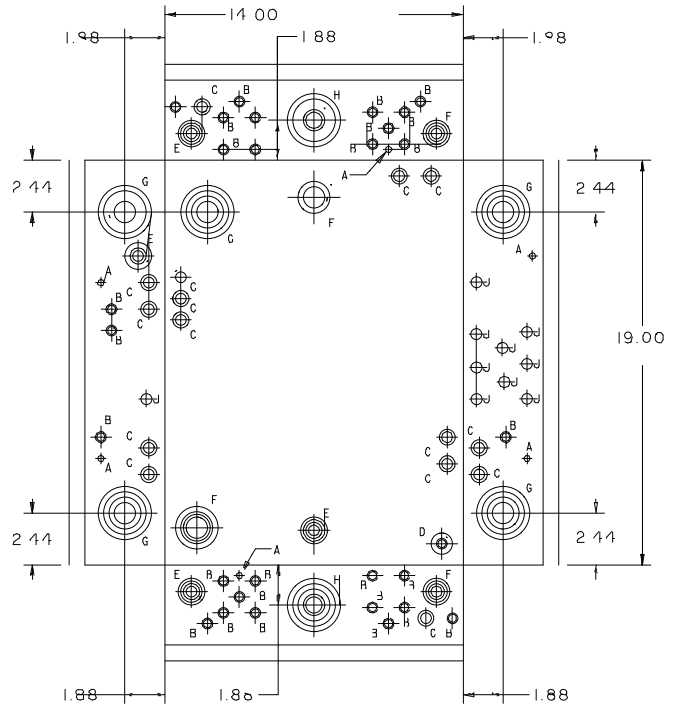
imagination at work

WWW.LITE-SCAPE.COM  
1-888-739-3555

# GE Loadcentres



- A - 9/32 K.O.
- B - 3/8 x 1/2 K.O.
- C - 1/2 x 3/4 K.O.
- D - 3/8 x 1/2 x 3/4 x 1 K.O.
- E - 1/2 x 3/4 x 1 x 1 1/4 x K.O.
- F - 1 1/2 x 2 x 2 1/2 K.O.
- G - 2 x 2 1/2 x 3 x 3 1/2 K.O.
- H - 3/4 x 1 x 1 1/4 x 1 1/2 x 2 x 2 1/2 K.O.
- J - 1/2 K.O.



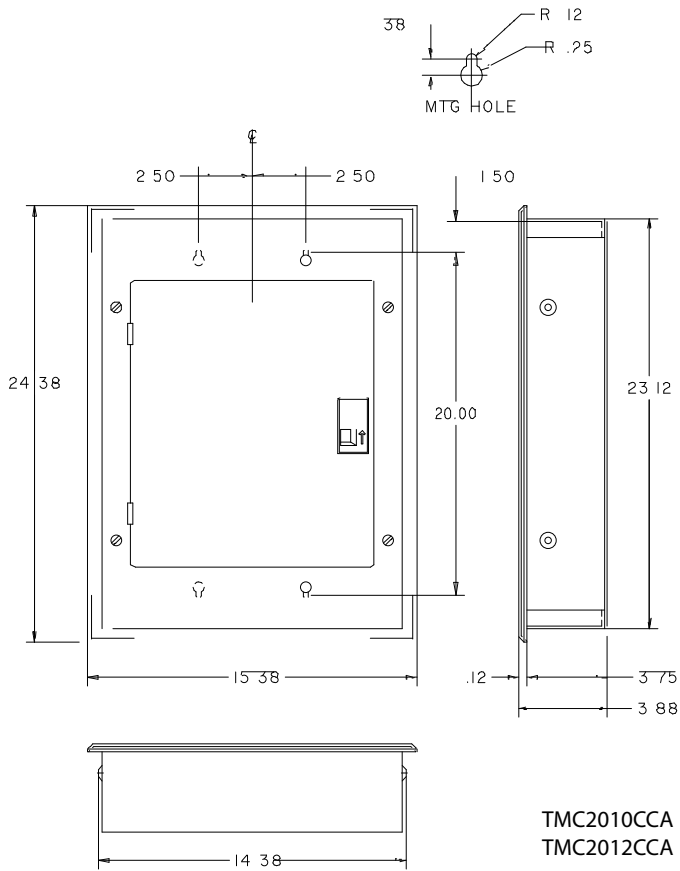
- TMC1210CCA1K
- TMC1210CCA
- TMC1270CCA
- TMC1610CCA1K
- TMC1610CCA
- TMC1612CCA
- TMC1670CCA
- TLC1212CCA
- TLC1612CCA



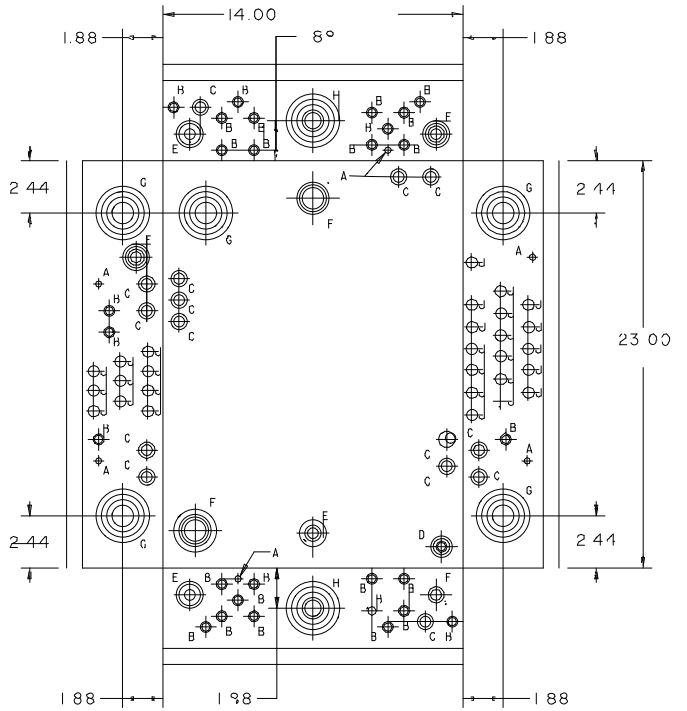
imagination at work

WWW.LITE-SCAPE.COM  
1-888-739-3555

# GE Loadcentres



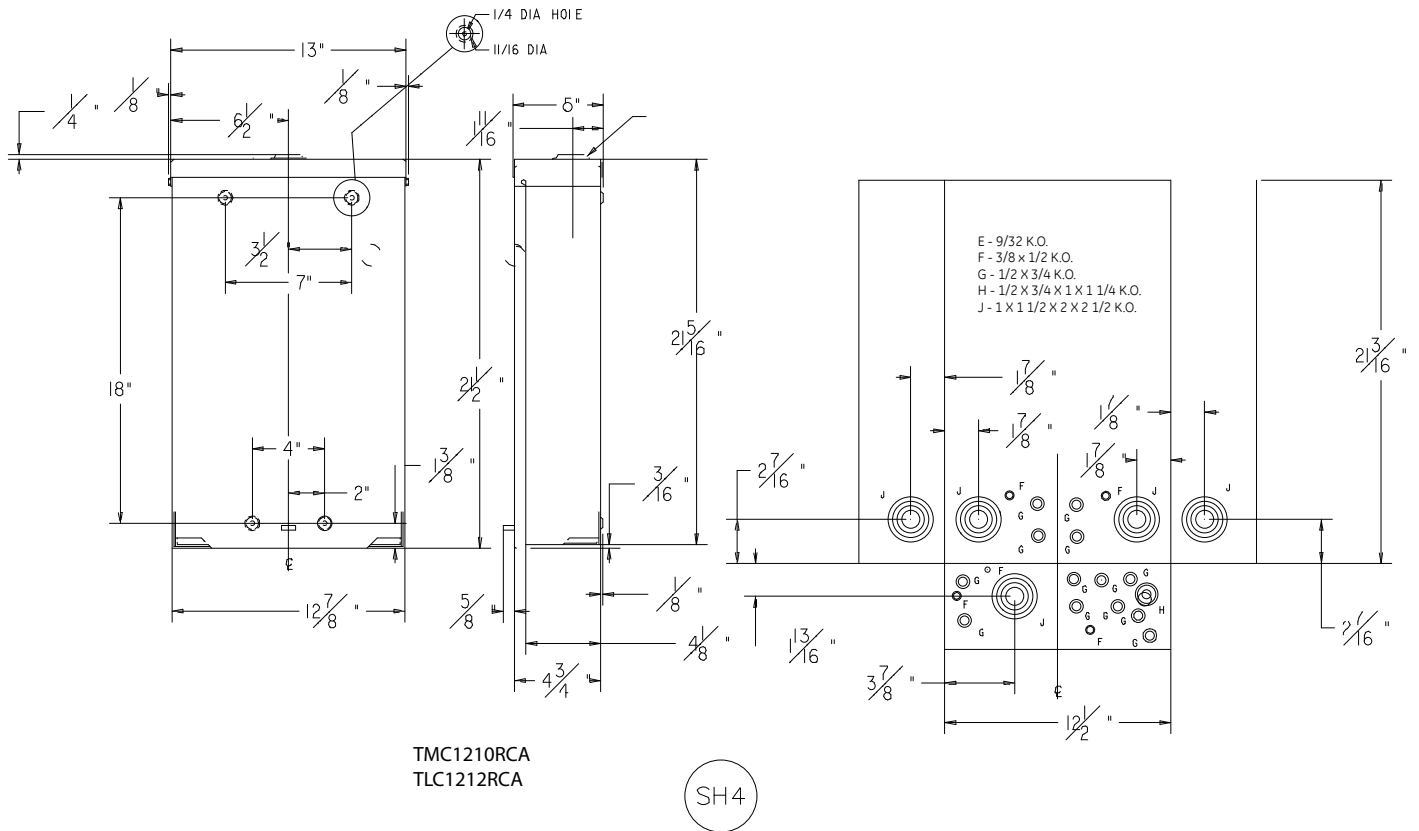
TMC2010CCA  
TMC2012CCA



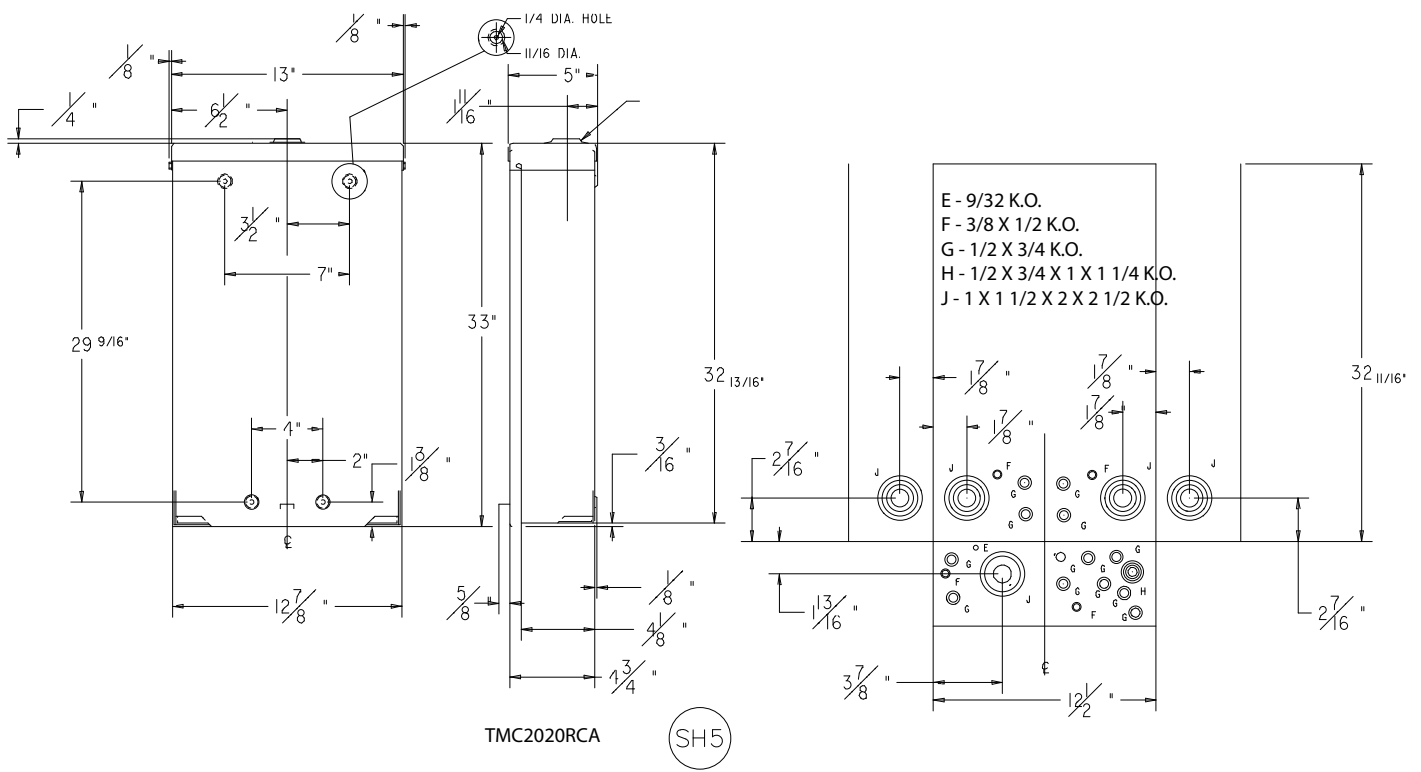
- A - 9/32 K.O.
- B - 3/8 x 1/2 K.O.
- C - 1/2 x 3/4 K.O.
- D - 3/8 x 1/2 x 3/4 x 1 K.O.
- E - 1/2 x 3/4 x 1 x 1 1/4 x K.O.
- F - 1 1/2 x 2 x 2 1/2 K.O.
- G - 2 x 2 1/2 x 3 x 3 1/2 K.O.
- H - 3/4 x 1 x 1 1/4 x 1 1/2 x 2 x 2 1/2 K.O.
- J - 1/2 K.O.



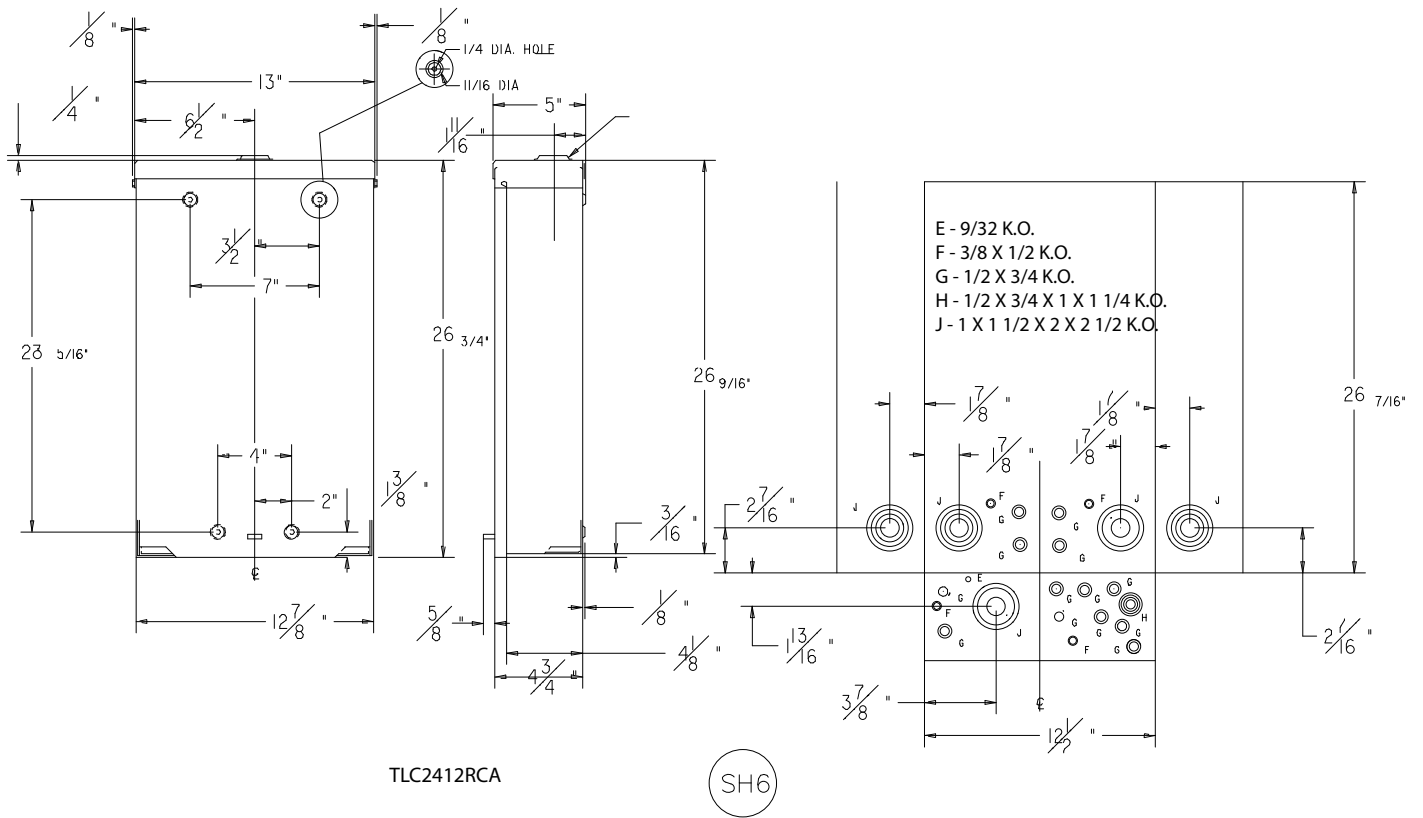
# GE Loadcentres



# GE Loadcentres

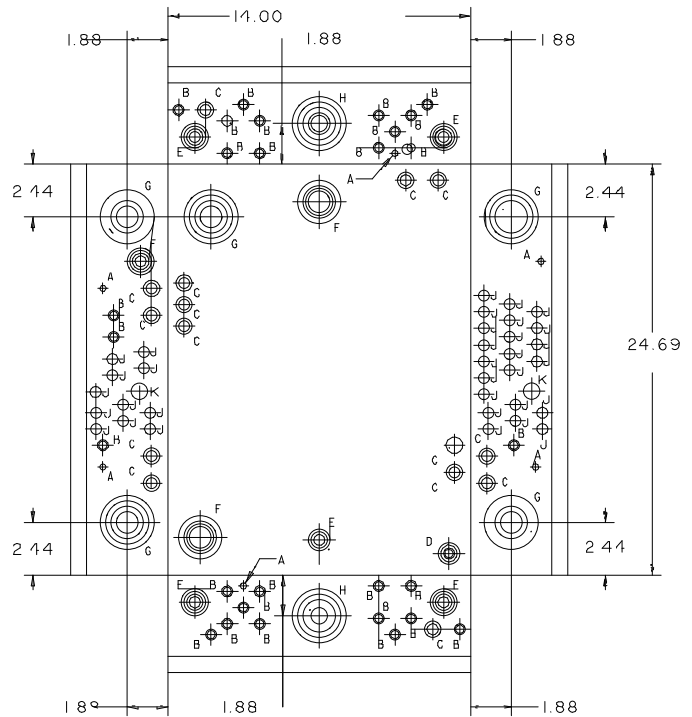
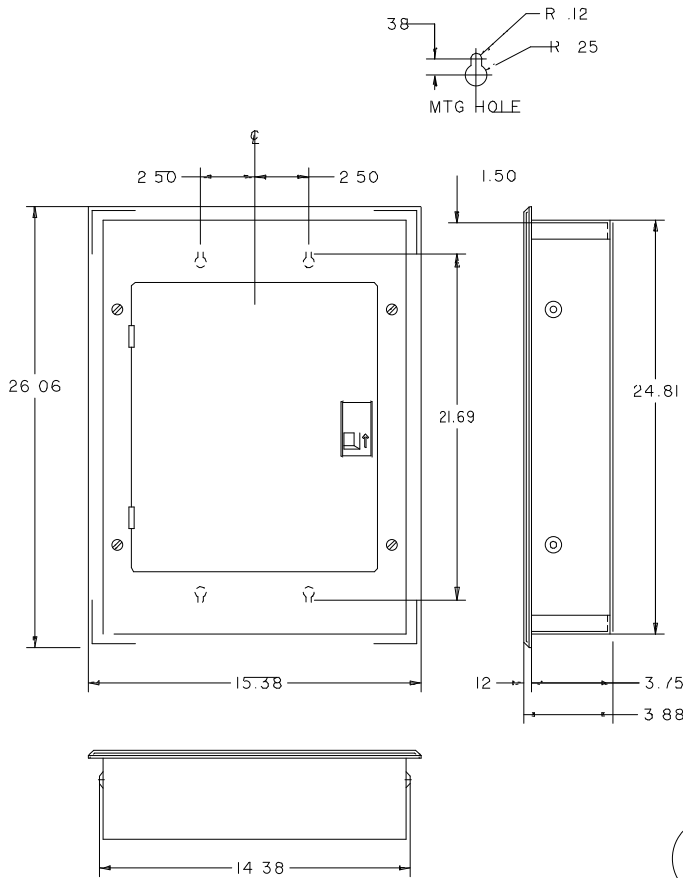


# GE Loadcentres



imagination at work

# GE Loadcentres



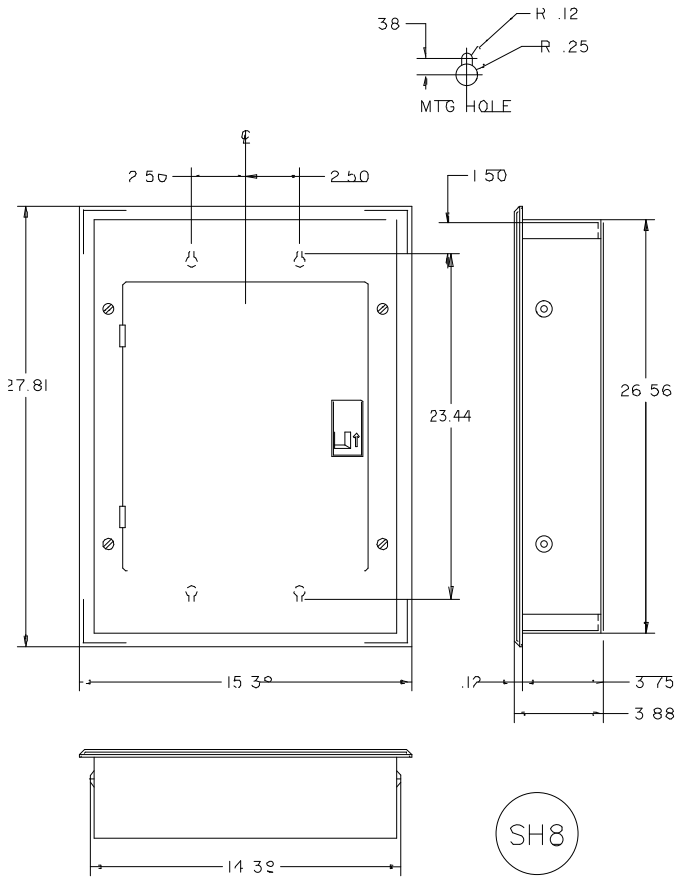
SH7

- A - 9/32 K.O.
- B - 3/8 x 1/2 K.O.
- C - 1/2 x 3/4 K.O.
- D - 3/8 x 1/2 x 3/4 x 1 K.O.
- E - 1/2 x 3/4 x 1 x 1 1/4 x K.O.
- F - 1 x 1 1/4 x 1 1/2 x 2 K.O.
- G - 1 x 1 1/2 x 2 x 2 1/2 K.O.
- H - 3/4 x 1 x 1 1/4 x 1 1/2 x 2 x 2 1/2 K.O.
- J - 1/2 K.O.
- K - 3/4 K.O.

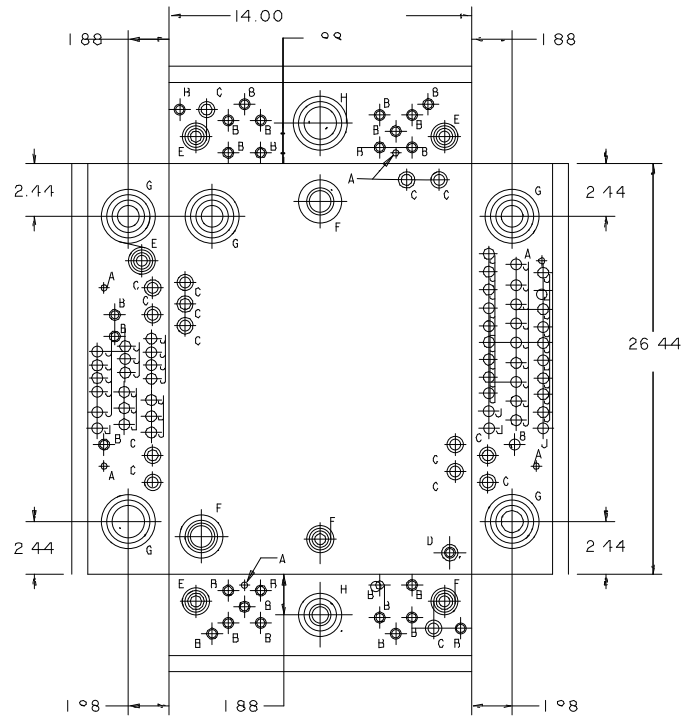
- TMC2410CCA1K
- TMC2410CCA2K
- TMC2410CCA
- TMC2412CCA1K
- TMC2412CCA
- TMC2470CCA
- TLC2412CCA



# GE Loadcentres



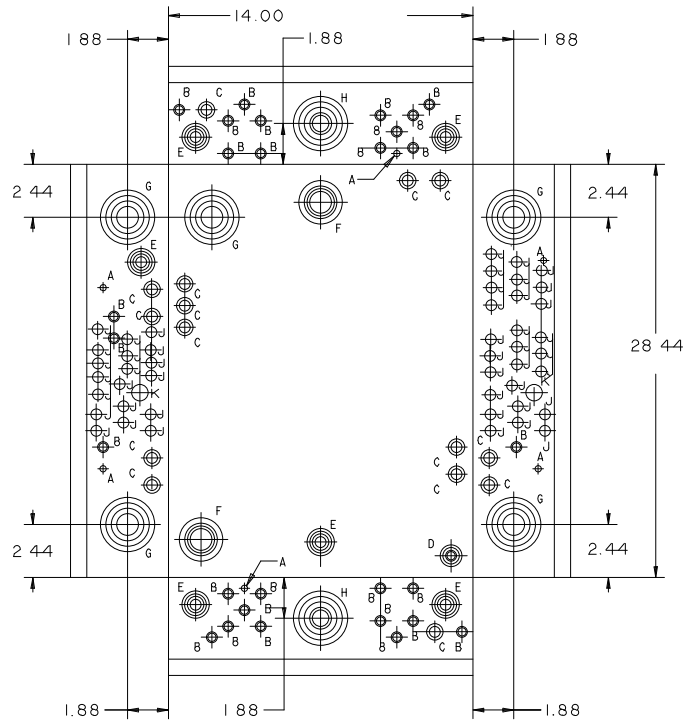
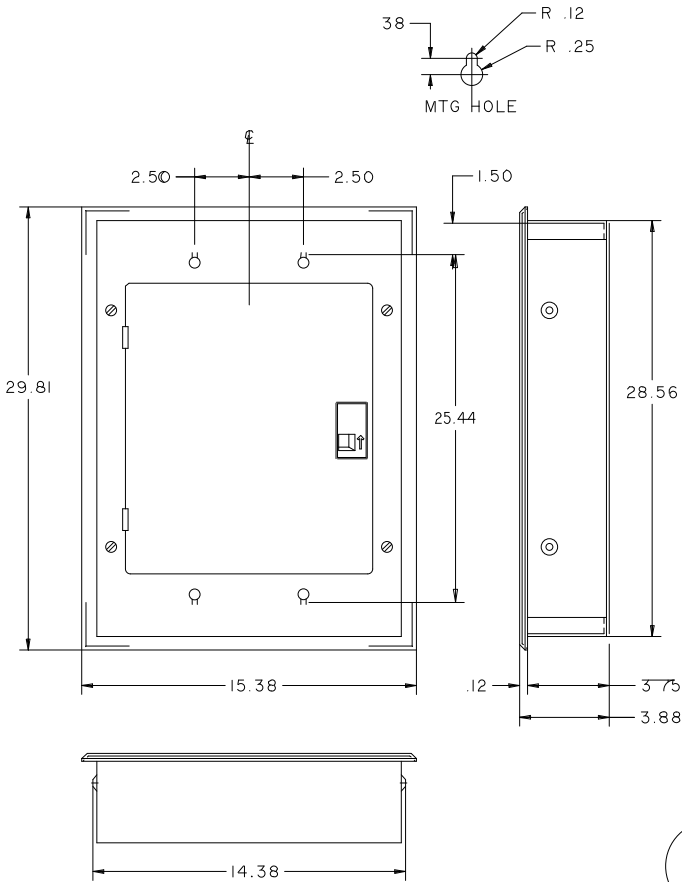
SH8



TLC1620CCA

- A - 9/32 K.O.
- B - 3/8 x 1/2 K.O.
- C - 1/2 x 3/4 K.O.
- D - 3/8 x 1/2 x 3/4 x 1 K.O.
- E - 1/2 x 3/4 x 1 x 1 1/4 x K.O.
- F - 1 x 1 1/4 x 1 1/2 x 2 K.O.
- G - 1 x 1 1/2 x 2 x 2 1/2 K.O.
- H - 3/4 x 1 x 1 1/4 x 1 1/2 x 2 x 2 1/2 K.O.
- J - 1/2 K.O.

# GE Loadcentres

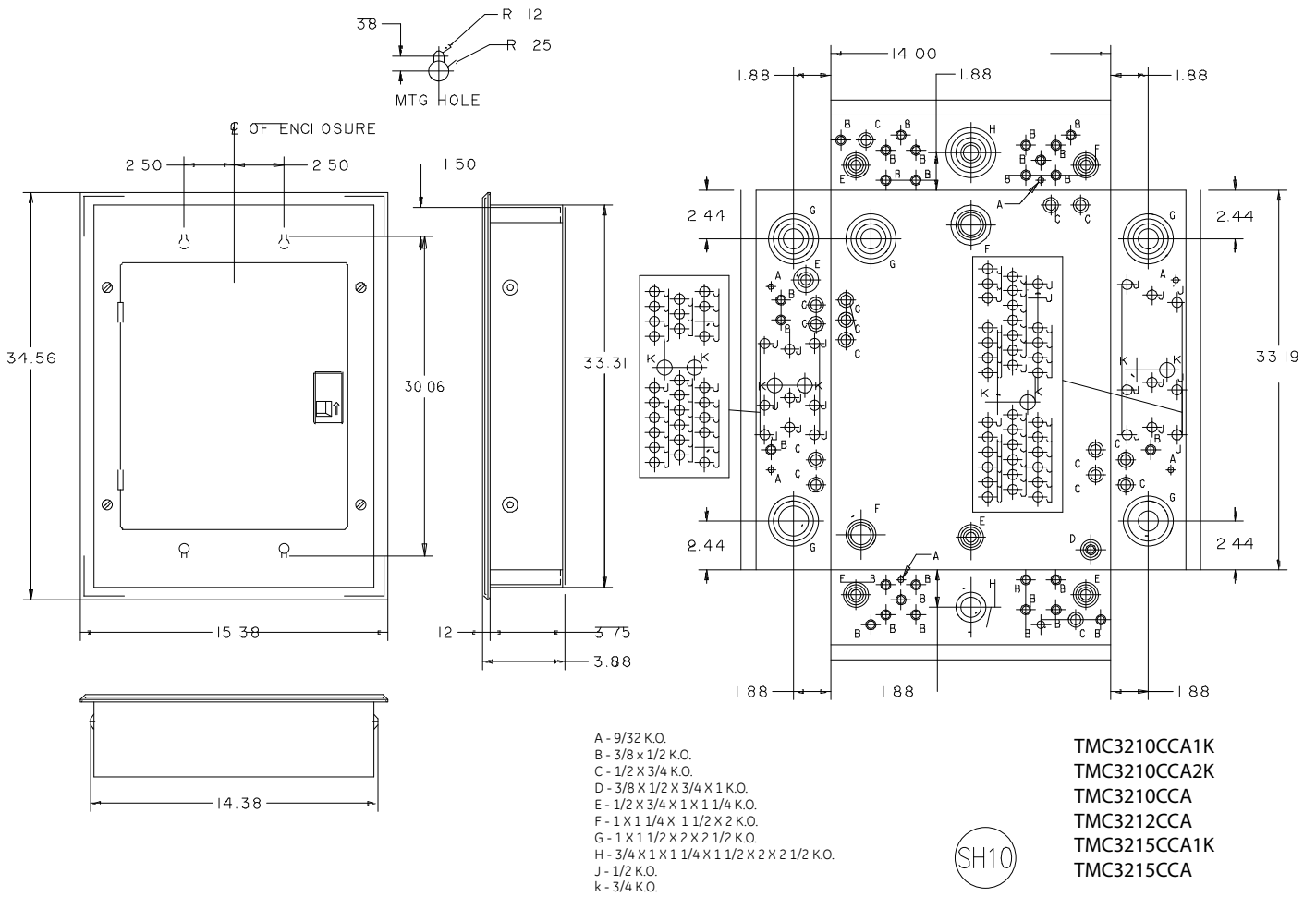


SH9

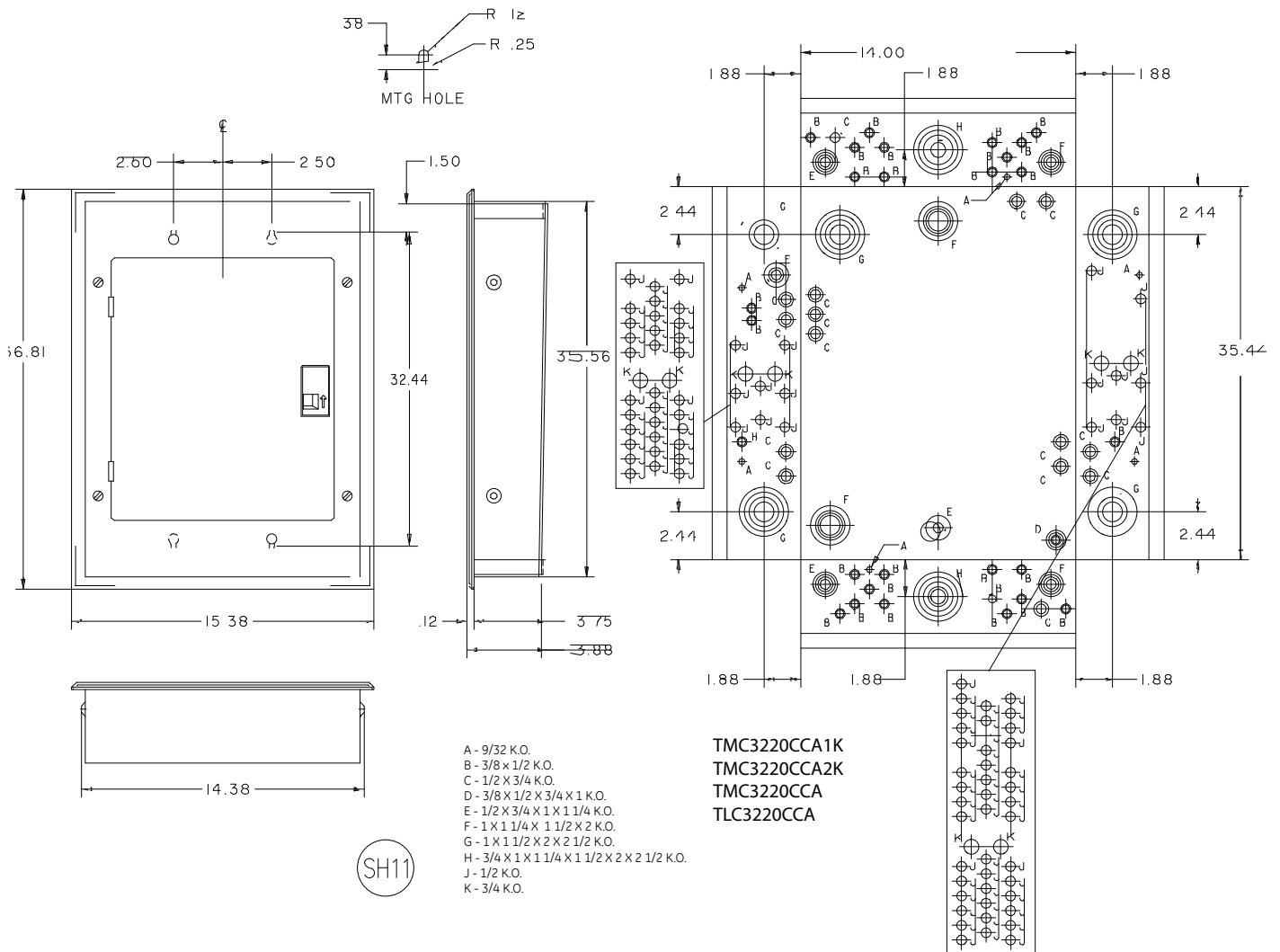
- A - 9/32 K.O.
- B - 3/8 x 1/2 K.O.
- C - 1/2 x 3/4 K.O.
- D - 3/8 x 1/2 x 3/4 x 1 K.O.
- E - 1/2 x 3/4 x 1 x 1 1/4 x K.O.
- F - 1 x 1 1/4 x 1 1/2 x 2 K.O.
- G - 1 x 1 1/2 x 2 x 2 1/2 K.O.
- H - 3/4 x 1 x 1 1/4 x 1 1/2 x 2 x 2 1/2 K.O.
- J - 1/2 K.O.
- K - 3/4 K.O.

- TMC2015CCA
- TMC2020CCA1K
- TMC2020CCA
- TMC2415CCA
- TLC2020CCA

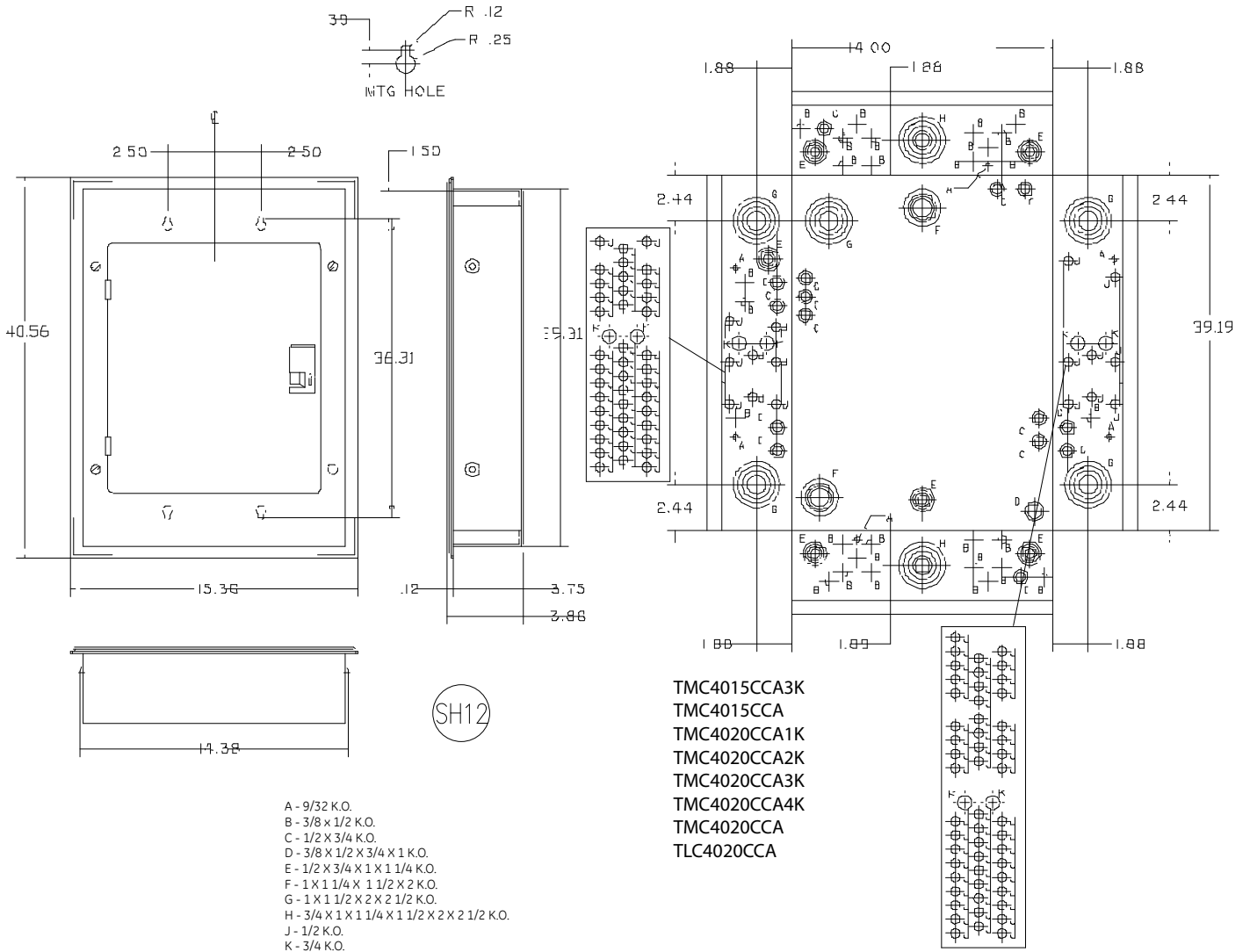
# GE Loadcentres



# GE Loadcentres



# GE Loadcentres



# GE Loadcentres

