

BWL BULK HEAD WALL LIGHT

PROJECT: _____

SCHEDULE: _____ DATE: _____

PREPARE BY: _____

NOTES: _____

DESCRIPTION

naturaLED® 10-watt Bulkhead Wall Light replaces incandescent 180-watt lamps, saving up to 80% of energy. Super energy efficient and lasts up to 50,000+ hours average life. naturaLED® wall lights are an ideal lighting solution for security lights, both residential, commercial and many other outdoor applications.



**Rated Life 50,000 Hours
Warranty 5 Years**

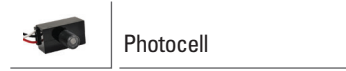
APPLICATIONS

Warehouse , Security, Accent, Residential, Outdoor, Wall Lighting

FEATURES

- Wet Location
- ETL Listed
- ColorTemp: 3000K, 4000K, 5000K
- Voltage: 120V
- Beam Angle: 130°
- CRI:> 80
- Operating temperature: - 4°F - 104°F
- Up to 80% energy savings
- Instant on
- Lightweight
- No Mercury or lead
- Material: aluminum housing and frosted glass lens
- Colors: Black, White
- 5 Year Warranty
- Optional for Purchase: Photocell

ACCESSORIES



SAMPLE NUMBER LED-FXBWL10/830/BK

STYLE	FAMILY	SERIES	WATTAGE	CRI/COLOR TEMP	COLOR
LED	FX	BWL	10	830	BK
LED Lighting	Fixture	Bulkhead Wall Lights	10 Watt	CRI 80 3000K	Black (WH) White



ORDERING

Watts (W)	Ordering Code	Description	CCT (K)	Lumens (Lm)	Equiv. Wattage (W)	Color	Wet Location
10	7024	LED-FXBWL10/830/BK	3000K	700	90	Black	•
10	7046	LED-FXBWL10/840/BK	4000K	700	90	Black	•
10	7025	LED-FXBWL10/850/BK	5000K	700	90	Black	•
10	7062	LED-FXBWL10/830/WH	3000K	700	90	White	•

ACCESSORIES (Ordered Separately)

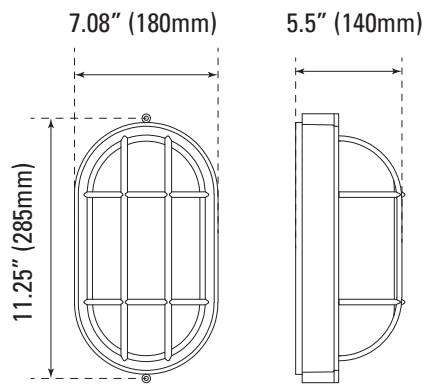
Photocell



P10036 SEN-PHO-BT-MT/MV
(Button Photocell 120V-277)

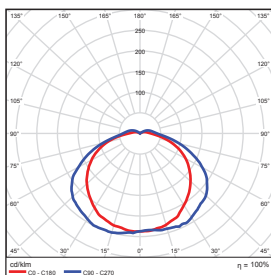
DIMENSIONS

10W
3.53-lbs



PHOTOMETRICS CHART

10 Watt



Beam Angle	Center Beam fc	Beam Width
17.0R	0.69 fc	62.4 ft 81.3 ft
34.0R	0.17 fc	124.8 ft 162.7 ft
51.0R	0.08 fc	187.3 ft 244.0 ft
68.0R	0.04 fc	249.7 ft 325.4 ft
85.0R	0.03 fc	312.1 ft 406.7 ft
102.0R	0.02 fc	374.5 ft 488.1 ft

■ Vert. Spread: 122.8°
■ Horiz. Spread: 134.6°

PACKAGE

Case Qty 2 pcs

