

1 & 2 Pole Combination Type Arc-Fault Circuit Interrupters

Plug-in and Bolt-on

Data Sheet



Features

- Available in 1 & 2 Pole, 15A & 20A
- New and improved electronics
- 1/4" more wiring bend space than our previous design
- Both lugs at the same angle - for easier wiring
- Plug-in or bolt-on branch circuit breakers for Siemens loadcentres or panelboards
- LED trip indicator for easier troubleshooting
- Available with interrupting rating of 10kA, 22kA or 65kA
- CSA Approved
- Ratings:
 - HACR
 - SWD
- 120 Volts AC
- Wire range:
 - #14 – #8 AWG Cu
 - #12 – #8 AWG Al
- Torque rating: 25 lb. in.

1-Pole Plug-in Arc-Fault Circuit Interrupters

Catalogue number	Ampere rating	Interrupting rating	CSA type
QA115AFC	15	10kA	QAF2
QA120AFC	20	10kA	
QA115AFCH	15	22kA	QAFH2
QA120AFCH	20	22kA	
QA115AFCHH	15	65kA	HQAF2
QA120AFCHH	20	65kA	

1-Pole Bolt-on Arc-Fault Circuit Interrupters

Catalogue number	Ampere rating	Interrupting rating	CSA type
BA115AFC	15	10kA	BAF2
BA120AFC	20	10kA	
BA115AFCH	15	22kA	BAFH2
BA120AFCH	20	22kA	
BA115AFCHH	15	65kA	HBAF2
BA120AFCHH	20	65kA	

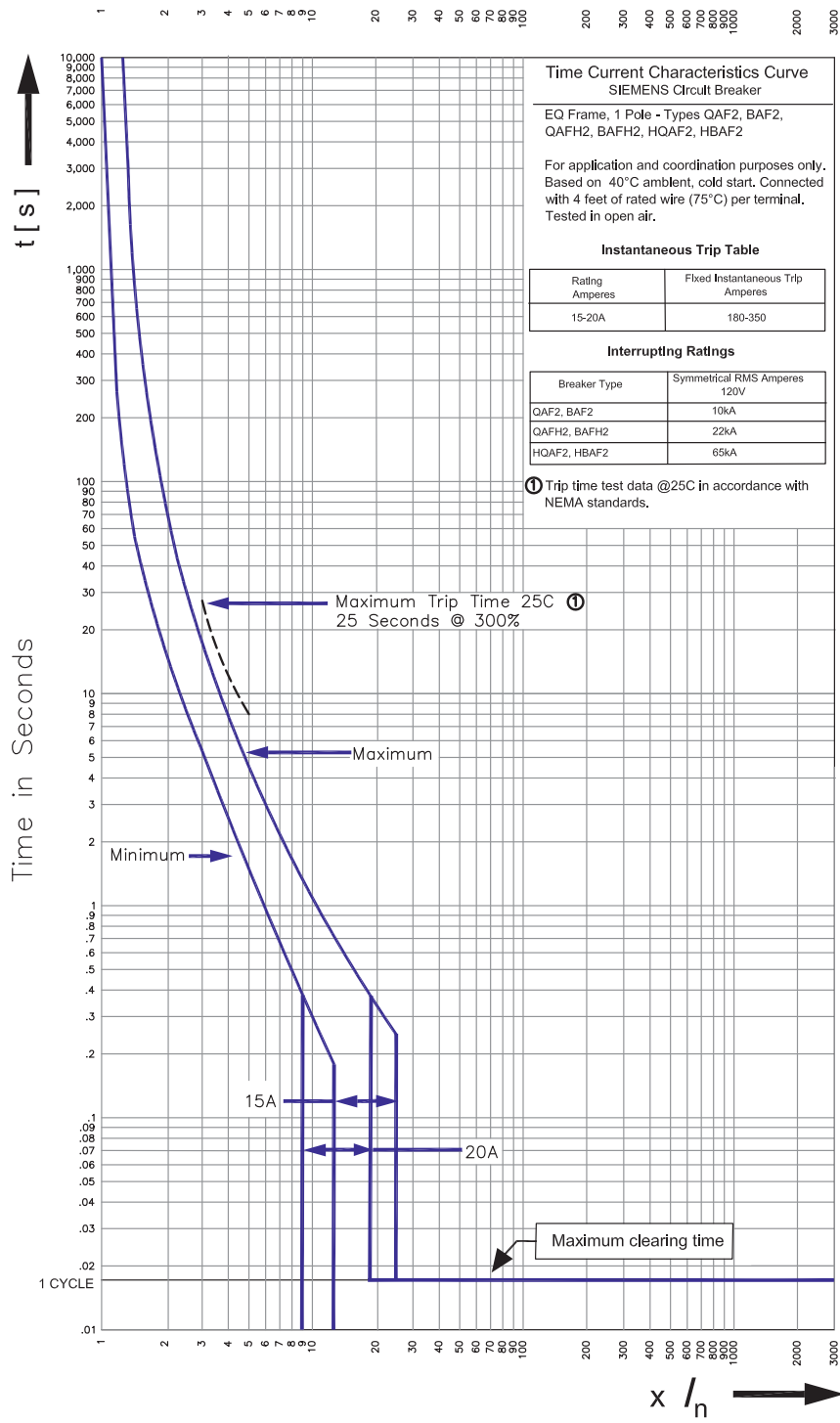
2-Pole Plug-in Arc-Fault Circuit Interrupters

Catalogue number	Ampere rating	Interrupting rating	CSA type
Q215AFC	15	10kA	QAF
Q220AFC	20	10kA	
Q215AFCH	15	22kA	QAFH
Q220AFCH	20	22kA	

2-Pole Bolt-on Arc-Fault Circuit Interrupters

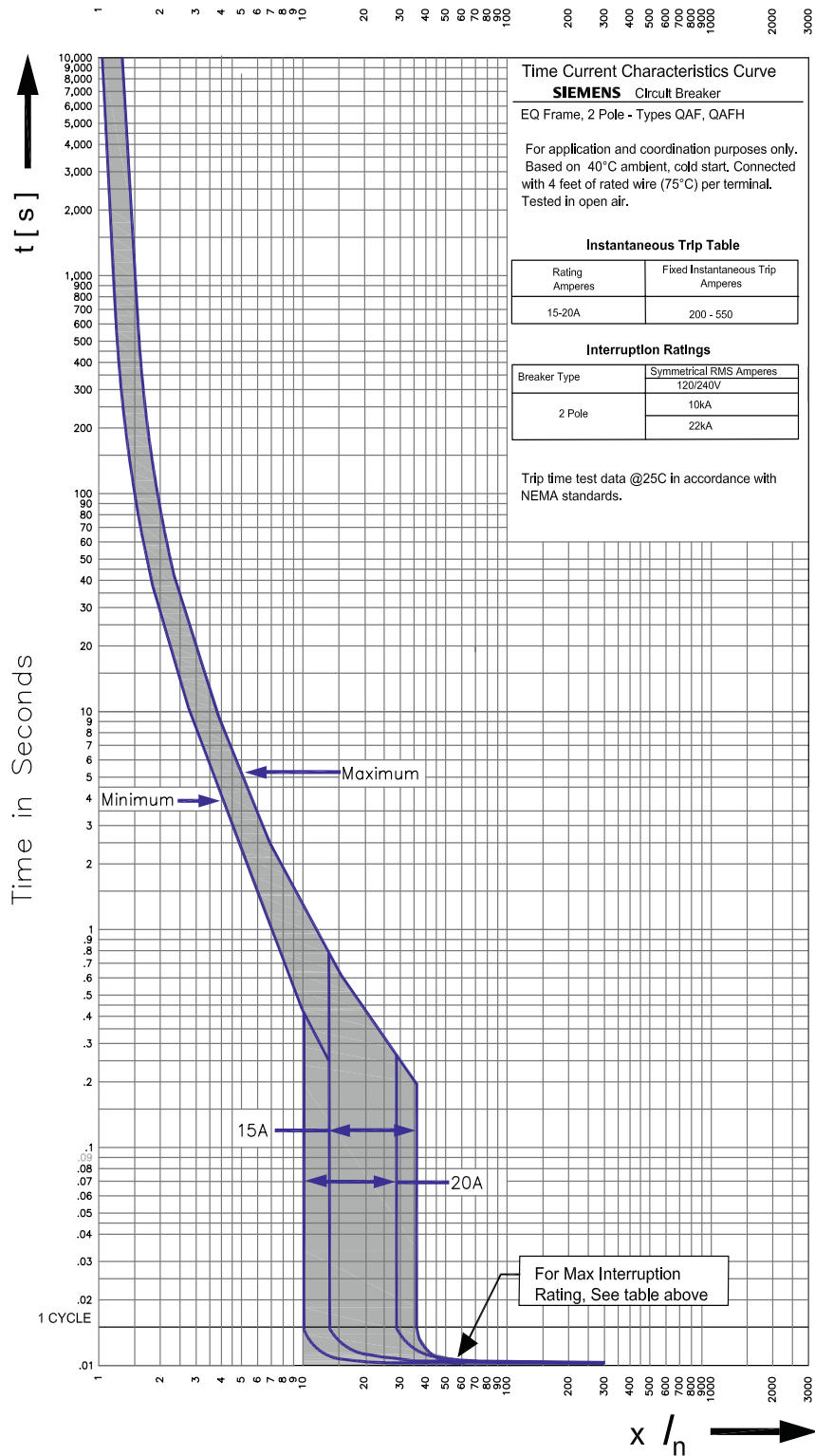
Catalogue number	Ampere rating	Interrupting rating	CSA type
B215AFC	15	10kA	BAF
B220AFC	20	10kA	
B215AFCH	15	22kA	BAFH
B220AFCH	20	22kA	

Time Current Characteristic Curves



Multiples of Continuous Current Rating

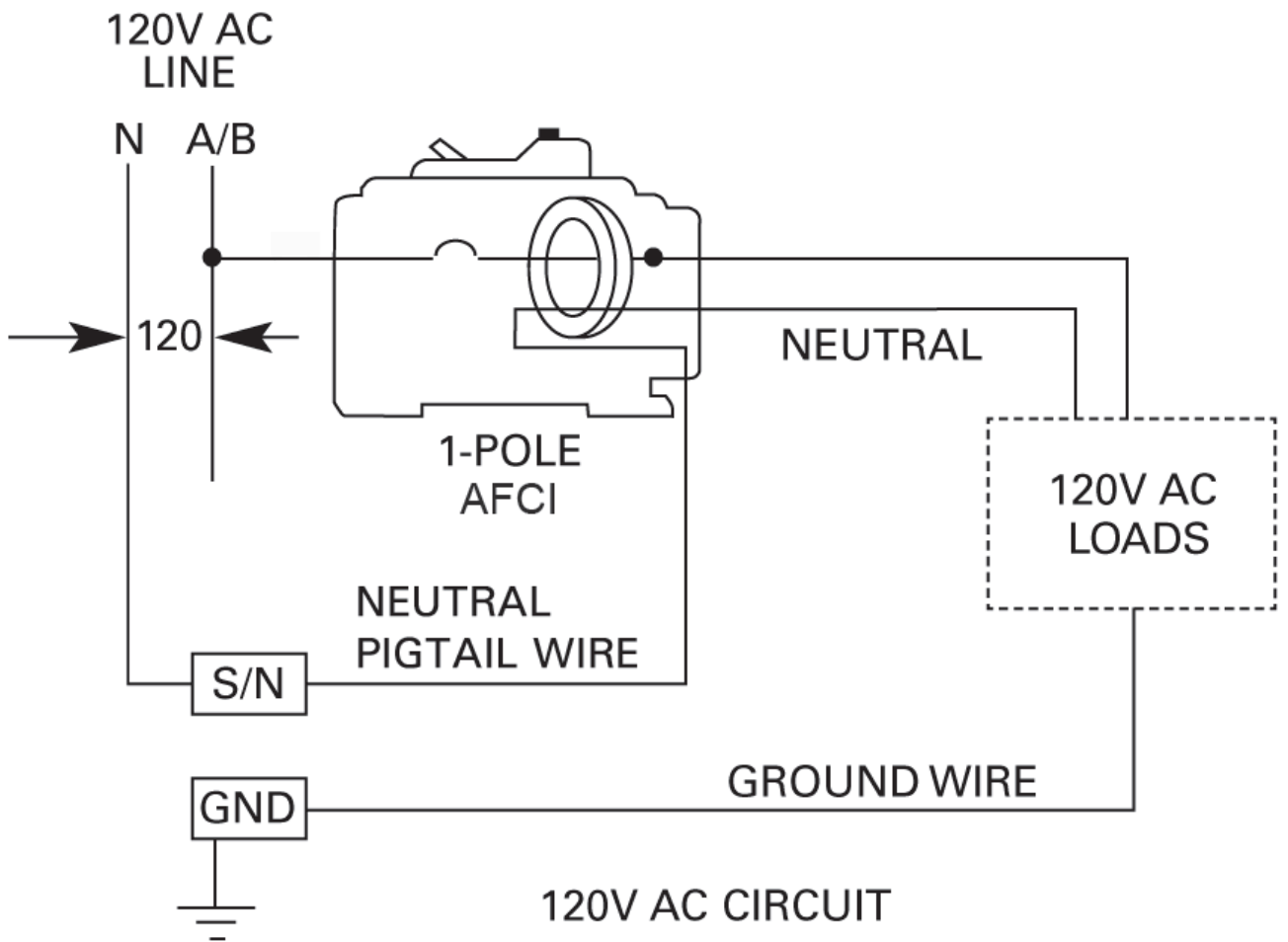
Time Current Characteristic Curves



Multiples of Continuous Current Rating

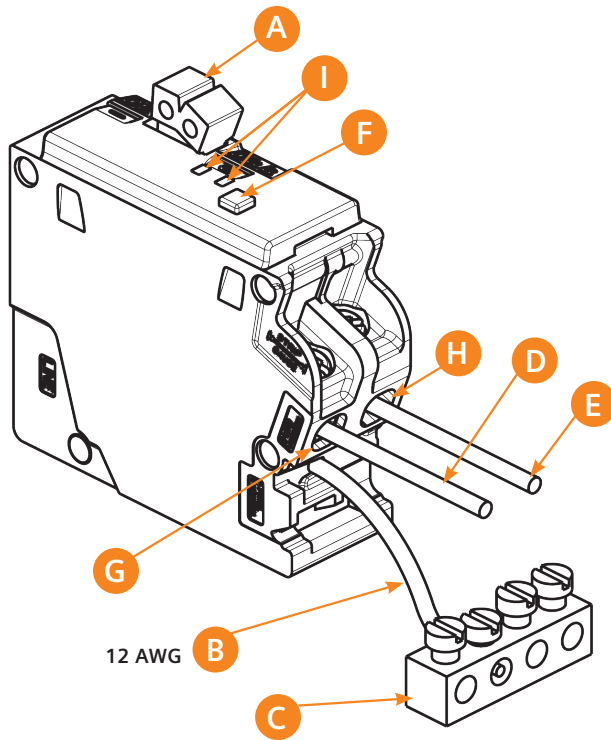
Wiring diagram

1-Pole (1" Wide)

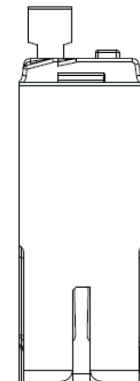
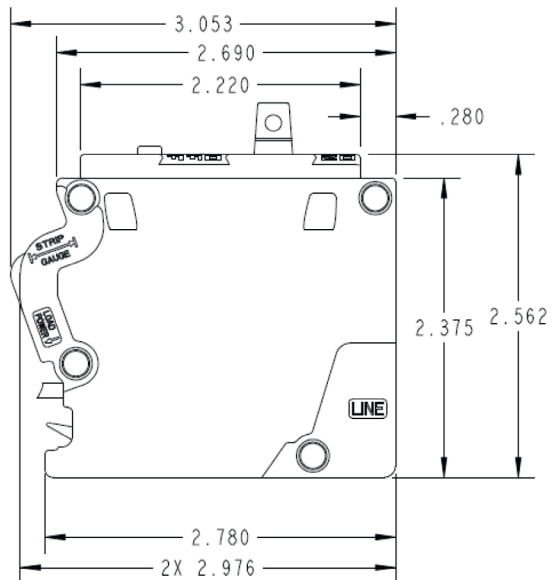
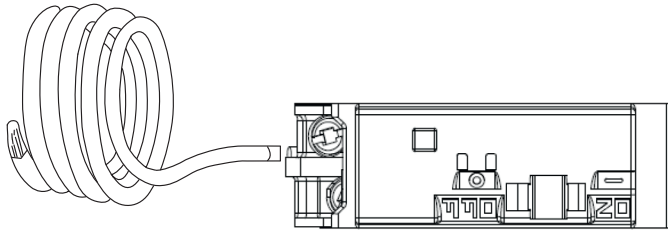


Dimensions

1-Pole

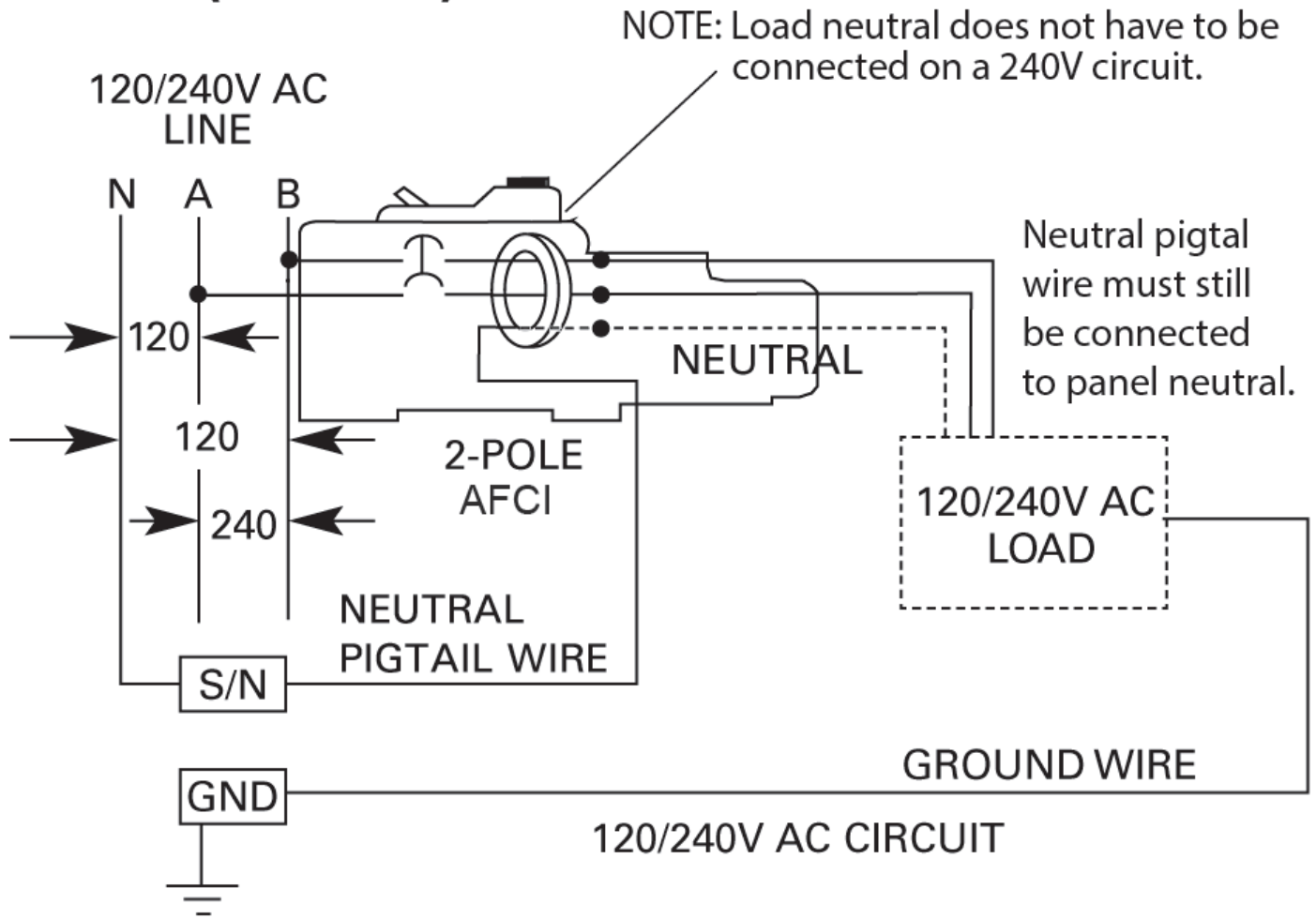


A	Breaker handle
B	Neutral (pig-tail) wire
C	Panel neutral
D	Load neutral wire
E	Load power wire
F	Blue test button
G	Neutral terminal
H	Load terminal
I	2 yellow LEDs



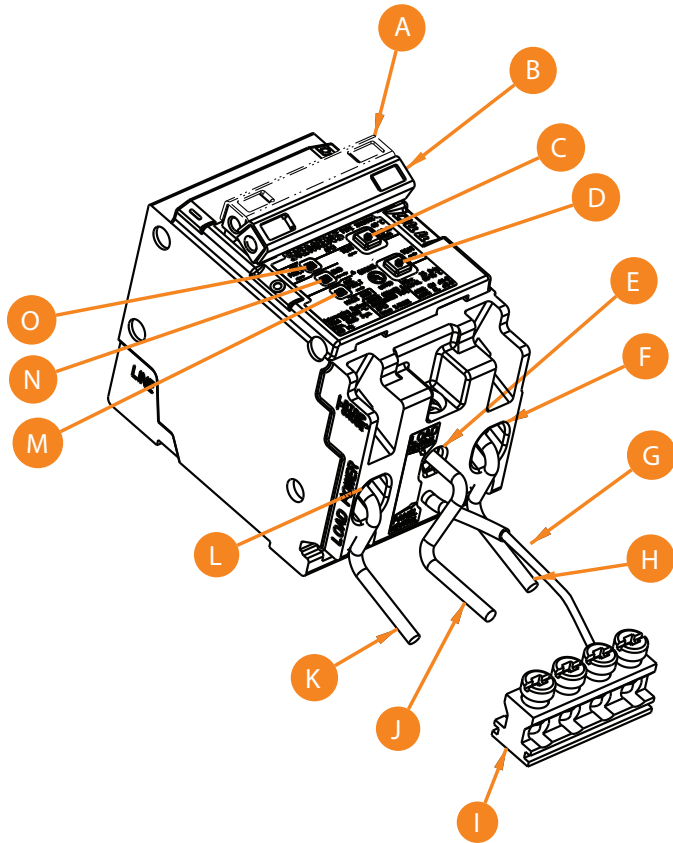
Wiring Diagram

2-Pole (2" Wide)

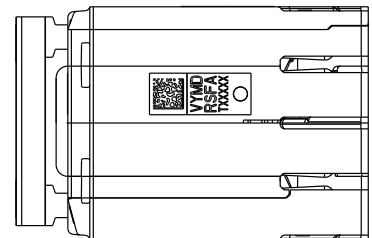
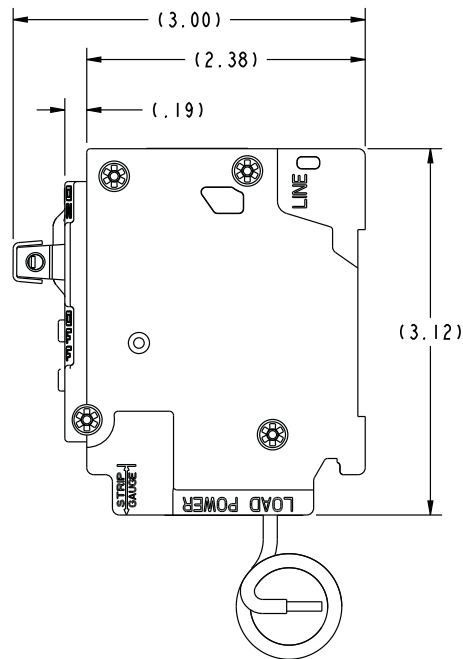
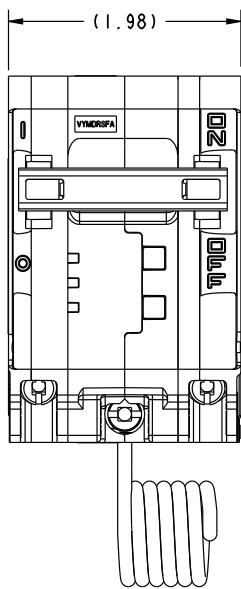


Dimensions

2-Pole



A	Handle tripped center position
B	Breaker handle
C	Blue test button
D	Blue test button
E	Neutral terminal
F	Load terminal
G	Neutral (pig tail) wire
H	Load power wire
I	Panel neutral
J	Load neutral wire
K	Load power wire
L	Load terminal
M	LED trip indicator
N	LED trip indicator
O	LED trip indicator



Siemens Canada Limited
Low Voltage & Products
Energy Management Division
1577 North Service Road East
Oakville, Ontario L6H 0H6

Customer Interaction Centre
(888) 303-3353
cic.ca@siemens.com

Order No. EM-LP-1346 | Printed in Canada |
© 2016 Siemens Canada Limited

siemens.ca/afci

The information provided in this brochure contains merely general descriptions or characteristics of performance which in case of actual use do not always apply as described or which may change as a result of further development of the products. An obligation to provide the respective characteristics shall only exist if expressly agreed in the terms of contract.

All product designations may be trademarks or product names of Siemens AG or supplier companies whose use by third parties for their own purposes could violate the rights of the owners.