



BR-UL3B

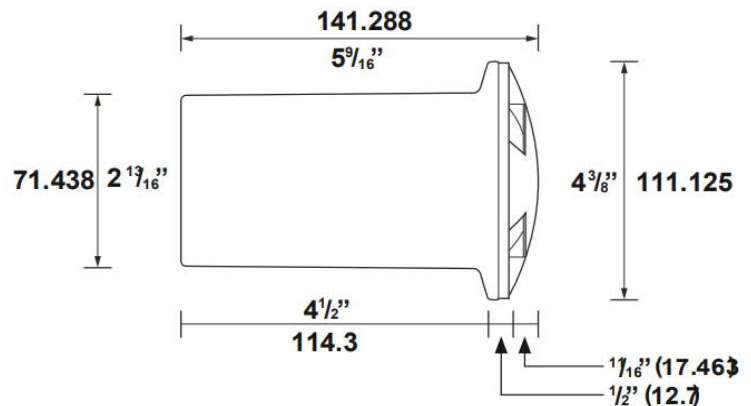
3 Directional Solid Brass Inground

Finish	Black
Housing	Die-cast, solid brass.
Lamp Type	MR16 not included
Lamp Holder	Ceramic socket with nickel contacts
Wiring	3' pigtail 18/2 direct-burial cable.
Mounting	Inground Direct Burial
Volts	12Vac
Watts	50W Maximum
Fasteners	All fasteners are stainless steel.
Certification	ETL listed to U.S. and Canadian safety standards for low voltage luminaries (UL 1838).



Design allows for horizontal light in 3 directions. The BR-UL3B Inground fixture is designed for safety and style on stairways, patios, decks, balcony areas and building perimeters.

Other Finishes
BR-UL3 Brass



6-5608 Goring St
 Burnaby BC, Canada
 1-888-739-3555
 jaret@axite.ca