

Straight Blade Devices

15A, 250V, 2 Pole, 3 Wire Grounding

HBL[®] Extra Heavy Duty MAX Hospital Grade Duplex Receptacle

HUBBELL

Features

- Deep body design with circuit ID face
- Patented ground contact provides redundant grounding

Ordering Information

Description	Device Color	UPC Number	Catalog Number
Back and side wired	Ivory	783585435862	HBL86001

Listings

Certified to CSA, C22.2, No. 42 File 285
Fed. Spec. W-C-596
NEMA[®] WD-6 Compliant
UL Listed to UL498 File No. E2186

Specifications

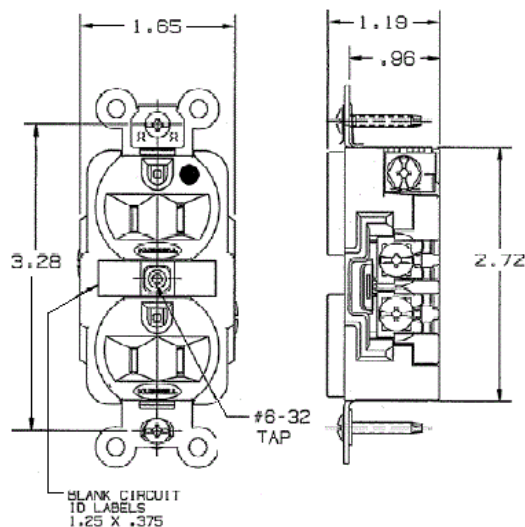
Face	PBT
Base	PBT
Power Contacts	.036" (.9) Nickel plated brass
Ground Contacts	Plated brass
Clamping Plate	Nickel plated brass
Terminal Screws	Plated brass
Mounting Strap	.050 in. (1.3) Nickel plated brass
Mounting Screws	Stainless steel

Performance

Electrical	
Current Interrupting	Certified for current interrupting at full rated current
Dielectric Voltage	Withstands 2,000V minimum
Mechanical	
Product Identification	Ratings are a permanent part of the device
Terminal Accommodation	#14-#10 AWG copper stranded or solid conductor only
Terminal Identification	Terminals identified in accordance with UL 498 and CSA
Environmental	
Flammability	UL 94 V-0
Operating Temperatures	Maximum continuous 75°C; minimum -40°C (w/o impact)



15A 250V
NEMA 6-15R
UL CSA
1.5 HP



Complementary Products

Wallplate or Weatherproof Cover

Duplex Opening

Online Resources

Customer Sales Drawings
eCatalog
Installation Instructions

Dimensions in Inches (mm)

Hubbell Wiring Device-Kellems • Hubbell Incorporated (Delaware) • 40 Waterview Drive • Shelton, CT 06484

Phone (800) 288-6000 • Fax (800) 255-1031 • Specifications subject to change without notice.

