

## Straight Blade Devices

20A, 125V, 2 Pole, 3 Wire Grounding

# HBL<sup>®</sup> Extra Heavy Duty MAX Hospital Grade Duplex Receptacle

# HUBBELL

## Features

- Deep body design with impact resistant face
- Patented ground contact provides redundant grounding
- Unique bypass contact design
- Circuit ID marking area

## Ordering Information

Description	Device Color	UPC Number	Catalog Number
Deep body design with circuit Red ID face. Back and side wired.		783585247533	HBL8300RED

## Listings

UL Listed to UL498 File No. E2186  
CSA Certified 22.2, No. 42 File 285  
Fed. Spec. W-C-596  
NEMA<sup>®</sup> WD-6 Compliant

## Specifications

Face	PBT
Base	PBT
By-Pass Power Contacts	.036" (.9) Nickel plated brass
Ground Contacts	Brass
Clamping Plate	Nickel plated brass
Terminal Screws	Plated brass
Mounting Strap	Nickel plated brass
Automatic Self-grounding Clip	Stainless steel
Mounting Screws	Stainless steel

## Performance

### Electrical

Current Interrupting	Certified for current interrupting at full rated current
Dielectric Voltage	Withstands 2,000V minimum

### Mechanical

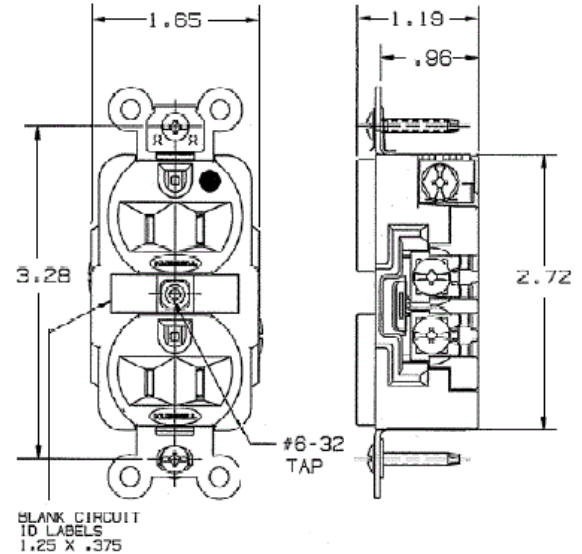
Product Identification	Ratings are a permanent part of the device
Terminal Accommodation	#12-#10 AWG stranded or solid copper wire only
Terminal Identification	Terminals identified in accordance with UL 498 and CSA

### Environmental

Flammability	UL 94 V-0
Operating Temperatures	Maximum continuous 75°C; minimum -40°C (w/o impact)



20A 125V  
NEMA 5-20R  
UL CSA  
1 HP



## Complementary Products

Wallplate or Weatherproof Cover

Duplex Opening

## Online Resources

Customer Sales Drawings

eCatalog

Installation Instructions

Dimensions in Inches (mm)

Hubbell Wiring Device-Kellems • Hubbell Incorporated (Delaware) • 40 Waterview Drive • Shelton, CT 06484

Phone (800) 288-6000 • Fax (800) 255-1031 • Specifications subject to change without notice.

