

# Royal Building Products Electrical Solutions Catalog



# ELECTRICAL SOLUTIONS



## WHO IS ROYAL BUILDING PRODUCTS?

Our company is part of a new corporation, Axiall, formed by a merger of Georgia Gulf and PPG's chlor-alkali derivatives operations. Axiall is a Fortune-500 size company with revenues of \$5B+ headquartered in Atlanta, GA. The Royal Building Products Group markets a diverse portfolio of PVC building materials to both the professional and consumer segments. Some of these products are pipe and fittings, vinyl siding and trim, decorative moldings, decking, and windows and doors. The vertical integration we have with our parent company, Axiall, allows us to have access to best-in-class compounds and ongoing R&D.

Royal Building Products is a leading manufacturer of high quality PVC products for the electrical, plumbing and municipal markets. For over 45 years, Royal's products have been specified and installed in municipalities nationwide. In our market segments, we offer the largest portfolio of injection molded fitting configurations in the industry, over 40% more than any other manufacturer.

Our **ELECTRICAL SOLUTIONS** portfolio contains a complete line of non-metallic electrical fittings and components, which includes ENT fittings and tubing, rigid conduit fittings and PVC enclosure boxes. All meet or exceed the standards of UL, ETL or NEMA 4X in accordance with the National Electrical Code, and are designed to increase productivity and reduce maintenance cost.

With over 24 conveniently located warehouses across the country, we enable the timely shipment of a broad assortment of products to any location or jobsite. Royal Building Products is 100% committed to service.

# ADVANTAGES

## ADVANTAGES OF USING ROYAL BUILDING PRODUCTS PVC ELECTRICAL SOLUTIONS:

### LOWER LIFECYCLE COSTS

PVC will not corrode or deteriorate and is fade-resistant.

### PERFORMANCE

PVC is not affected by corrosive agents or moisture, is high impact, fire-resistant, and provides a reliable joint or seal for wires.

### LOWER LABOR COST

PVC is designed for easy assembly, easy carrying, storage and transportation.

### SAFETY

PVC is lightweight, and has no sharp edges or burrs.



### Typical applications for

#### Royal Electrical Solutions Products

- Residential dwellings
- Bridges and tunnels
- Airports
- Marinas
- Sewage treatment plants
- Processing plants
- Agricultural
- Street and highway lighting
- Utilities
- Communications and cable

## PVC ELECTRICAL STANDARDS

Royal Electrical Solutions products conform to the following specifications:

### RIGID PVC CONDUIT

**Fittings:** Certified to UL 651 or UL 514B and meets NEMA TC-3

**Bends:** Certified to UL 651

**Boxes:** Certified to UL 514C and meets NEMA OS-2

**Junction Boxes:** Certified to UL 50/50E

with 1, 2, 3, 3S, 3X, 4, 4X ratings

and meets NEMA 250 with 1, 2, 3, 3S, 3X, 4, 4X ratings

**Covers:** Certified to UL 514D

**Pipe:** Certified to UL 651 and meets NEMA TC-2

### ELECTRICAL NON-METALLIC (ENT)

**Tubing:** Certified to UL 1653 and meets NEMA TC-13

**Fittings:** Certified to UL 1653

**Boxes:** Certified to UL 514C

### ENCLOSURES

**Enclosures, Large Fabricated Junction Boxes and Troughs:**

Certified to UL 50/50E with 1,2,3,4,4X ratings and meets NEMA 250 with 1, 2, 3, 3S, 3X, 4, 4X ratings



# TABLE OF CONTENTS

## RIGID PVC CONDUIT FITTINGS PAGES 6-43

Access Fittings	26-31
Bell Ends	41
Couplings	10-11
Cover Plates	36-37
Duct Spacers	42
Duplex Floor Boxes	39
Elbows	14-25
Schedule 40 Standard	14-17
Schedule 40 Special Radius	16-21
Schedule 80 Standard	20-21
Schedule 80 Special Radius	22-25
Expansion Joints	12
Gang Boxes	34-35
Junction Boxes	32-33
Junction Box Adapter	38
Meter Offsets	13
Octagonal Boxes	38
Pipe Straps	13
Pull Elbows	40
Reducer Bushings	41
Service Entrance Fittings	13
Solvent Cement	43
Solvent Weld End Caps	40
Strain Relief Connectors	40
Threaded Adapters	11
Universal Plug	43
Vinyl Siding Mounts	39

## RIGID PVC SCHEDULE 40 CONDUIT PAGES 44-47

## ENT TUBING & FITTINGS PAGES 48-57

Coils	52-53
Reels	52-53
Straight Lengths	52-53
Adapters	54
Clip Rings	54
Connectors	54
Couplings	54
Locknuts	55
Plugs	55
Slab Boxes	56-57
Slab Box Extensions	55
Stubbies	55

## PVC ENCLOSURES PAGES 58-65

Troughs	
Screw Cover	60
Latch Hinged Cover	61
Large Fabricated Junction Boxes	
Screw Cover	62-63
Electrical Enclosures	
Hinged Cover	64-65

## INSTALLATION GUIDELINES 66-72

## CHEMICAL RESISTANCE GUIDE 73-77

## CROSS REFERENCE CHART 78-83

## MUNICIPAL AND PLUMBING SOLUTIONS 84

## TERMS AND CONDITIONS 85-86

# RIGID PVC CONDUIT FITTINGS AND ACCESSORIES

## APPLICATIONS

- Utilities
- Cable, data and communication lines
- Institutional, commercial, industrial buildings
- Residential applications, service entrances
- Street and highway underground feeds
- Transportation systems - subways, bridges, tunnels, airports
- Water and wastewater treatment plants
- Marinas
- Mines, mills



**A rigid, non-metallic integrated system of couplings, connectors and fittings that reduces lifecycle costs and improves jobsite efficiency.**

6

## FEATURES

Royal Building Products offers a complete line of rigid PVC conduit fittings for commercial, industrial and utility usage, for indoor and outdoor use. Royal Building Products PVC conduit fittings are proven durable and effective for years of maintenance-free performance in underground, encased and exposed applications in accordance with the National Electrical Code.

Schedule 40 and 80 rigid PVC conduit fittings are used exposed, encased in concrete, concealed in walls and in direct burial applications. Thicker wall Schedule 80 provides even more durability in the most demanding environments.

## CONSTRUCTION

Royal's Rigid PVC conduit fittings are made from high quality durable PVC material that weighs approximately 50% less than metal fittings and components. It is light-weight for easy handling, storage and transportation. All components are manufactured to tight tolerances for quick solvent weld joining. PVC is 100% recyclable.

For use in above ground, underground and encased installations as described in the National Electrical Code

## PERFORMANCE

All products are tested to meet or exceed the stringent standards of UL. Royal's fittings are durable, long lasting and resist cracking. Smooth interior walls make it easy to pull wiring through. They are concrete tight for joint integrity.

## CORROSION PROOF

Royal's fittings are resistant to most chemicals, and will not corrode or rust.

## NON CONDUCTIVE

The non-magnetic and non-galvanic properties of Royal Building Products' PVC fittings provides superior insulation.

## FIRE RESISTANT

Material properties of PVC make Royal Building Products' fittings fire-resistant and self-extinguishing.

## IMPACT RESISTANT

Royal Building Products fittings are made from tough, durable, high tensile strength PVC.

# RIGID PVC CONDUIT FITTINGS AND ACCESSORIES

## SPECIFICATIONS

All Royal Building Products rigid conduit fittings meet the requirements for use in accordance with Article 352 of the National Electrical Code and are suitable for the installation of electrical conductors and cables.

Royal's PVC fittings are permitted to be used in concealed walls, floors and ceilings. PVC conduit shall be permitted in locations subject to severe corrosive influences as covered in NEC Article 300.6 and where subject to chemicals for which the materials are specifically approved. Refer to Royal's Chemical Resistance Guide. Royal Building Products' PVC fittings shall be permitted in cinder fill, wet locations, dry, damp or exposed locations, and underground installations.

Type Schedule 80 is recommended for areas where there may be physical damage or abusive conditions.



## CODES AND STANDARD COMPLIANCE

Royal PVC Schedule 40 and Schedule 80 rigid conduit fittings are manufactured to NEMA TC-3 and UL 514 in accordance with the National Electrical Code. Royal Building Products' fittings carry UL listings and markings. Royal meets or exceeds the UL 651 standard for conduit and fittings, UL 514B for fittings, UL 514C for boxes, UL 514D for cover plates, and UL 50/50E for enclosures.

PVC conduit systems, including boxes and fittings, shall be permitted in portions of dairies, laundries, canneries and in locations where walls are frequently washed. Royal PVC conduit fittings shall be permitted for exposed work areas.

Royal's rigid PVC conduit fittings are suitable for direct burial and underground encased in concrete, NEC Articles 300.5 and 300.50.

Nonmetallic conduit shall be installed as a complete system as provided in NEC Article 300.18 and shall be fastened and supported within 3 feet of each outlet box, junction box, device box, access fitting, or other conduit termination.

Royal's expansion fittings shall be provided to compensate for thermal expansion and contraction where the length change, according to NEC Table 352.44, is expected to be  $\frac{1}{4}$  inch or greater in a straight run between securely mounted items such as boxes, cabinets, elbows, other conduit terminations.

Made in USA.

# RIGID PVC CONDUIT FITTINGS AND ACCESSORIES

## APPLICATIONS

- Used to mount electrical fixtures in new construction or remodeling

## FOR LIGHT FIXTURES & ELECTRICAL RECEPTACLES

With innovative design elements, quality construction and virtually maintenance-free performance, Royal Building Products' siding mounts are the ideal choice for vinyl siding exterior mounts.

The line contains a complete assortment including electrical mounts, which are UL approved, standard mounts, mini mounts, recessed mini mounts, flush mounts, meterbase mounts and coach covers.

All components are designed for easy installation and are made of heavy duty vinyl polymer that is durable, water and airtight, and fade-resistant.



Electrical Mount



8

## TYPES OF MOUNTS



Standard Mount



Flush Mount



Recessed Mini Mount



Coach Covers



Mini Mount



Meterbase Mount



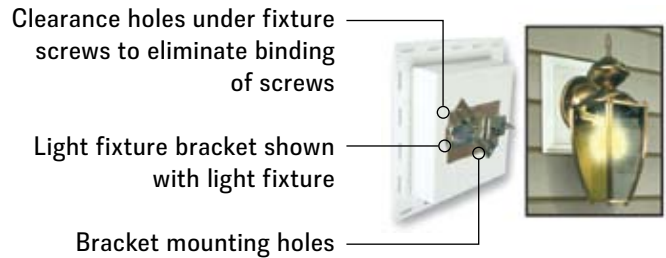
## DESIGN ADVANTAGES

- **Electrical code approved mounting block ensures proper installation of light fixtures and electrical receptacle**
- **Keeps wires safely hidden to protect the home and provides a beautiful, clean, finished look**
- **Virtually airtight electrical box is self-contained inside mount to seal off the wiring from the elements**
- **Quick and easy installation**
- **Color-through process resists fading and hides scratches**
- **Weather-resistant polymer won't fade, peel or flake**
- **Virtually maintenance-free**

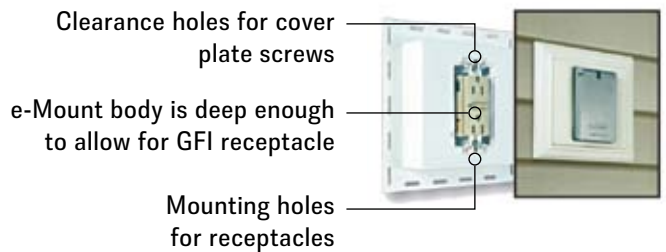
## VINYL SIDING ELECTRICAL MOUNT INSTALLATION

1. Push wires through cable connector.
2. Screw the mounting block to the sheathing.
3. Mount exterior fixtures to a pre-installed solid block or base.
4. Connect the wires and mount desired fixture.
5. Caulk around the mounting block to create a watertight seal.

## LIGHT FIXTURE

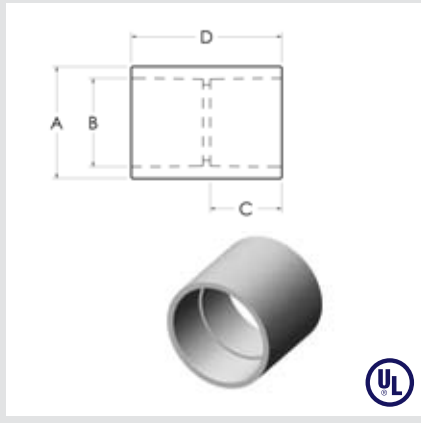


## ELECTRICAL RECEPTACLE



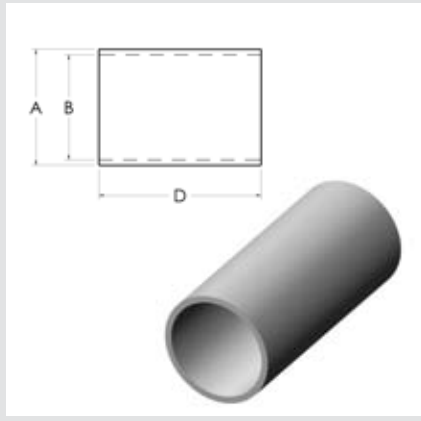
# RIGID PVC CONDUIT FITTINGS

## COUPLING



SIZE (IN)	RBP PART NUMBER	CARTON QUANTITY	OUTSIDE DIAMETER (OD) (IN)	INSIDE DIAMETER (ID) (IN)	SOCKET DEPTH (S) (IN)	LENGTH (L)(IN)
1/2"	E010050	200	1.080	0.840	0.690	1.450
3/4"	E010075	125	1.300	1.050	0.750	1.550
1"	E010100	70	1.580	1.315	0.900	1.870
1 1/4"	E010125	40	2.000	1.660	0.970	2.130
1 1/2"	E010150	30	2.220	1.900	1.080	2.350
2"	E010200	40	2.721	2.375	1.161	2.450
2 1/2"	E010250	20	3.270	2.875	1.500	3.250
3"	E010300	40	3.980	3.500	1.620	3.470
3 1/2"	E010350	30	4.500	4.000	1.990	4.200
4"	E010400	20	5.060	4.500	1.780	3.820
5"	E010500	10	6.129	5.565	1.950	4.150
6"	E010600	8	7.233	6.625	3.030	6.340
8"	E010800	3	9.351	8.625	4.003	8.310

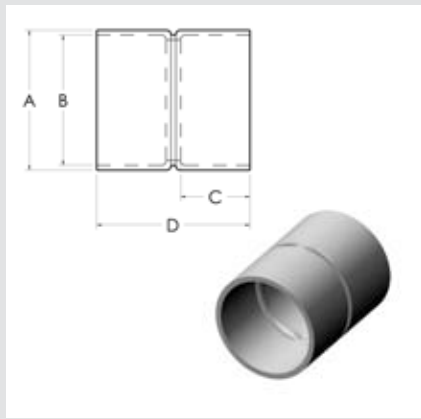
## LONG LINE REPAIR COUPLING - NO STOP



SIZE (IN)	RBP PART NUMBER	CARTON QUANTITY	OUTSIDE DIAMETER (IN)	INSIDE DIAMETER (A) (IN)	LENGTH (B) (IN)
1"	E096100	20	1.545	1.335	4.000
1 1/2"	E096150	20	2.171	1.921	4.940
2"	E096200	20	2.666	2.396	6.060
2 1/2"	E096250	20	3.237	2.897	6.000
3"	E096300	25	3.891	3.523	4.950
4"	E096400	15	4.928	4.524	6.500
5"	E096500	8	6.026	5.588	8.690
6"	E096600	4	7.125	6.651	9.750

Fabricated: Dimensions subject to revisions without notice while still meeting minimum standards.

## DEEP SOCKET LONG LINE REPAIR COUPLING - WITH STOP (SWEDGE)



SIZE (IN)	RBP PART NUMBER	CARTON QUANTITY	OUTSIDE DIAMETER (A) (IN)	INSIDE DIAMETER (B) (IN)	SOCKET DEPTH (C) (IN)	LENGTH (D) (IN)
2"	E098200	100	2.669	2.375	1.750	4.067
2 1/2"	E098250	30	3.237	2.875	2.250	5.097
3"	E098300	30	3.891	3.500	2.750	6.106
4"	E098400	20	4.928	4.500	3.125	6.865
5"	E098500	10	6.041	5.563	3.375	7.370
6"	E098600	6	7.143	6.625	3.500	7.623

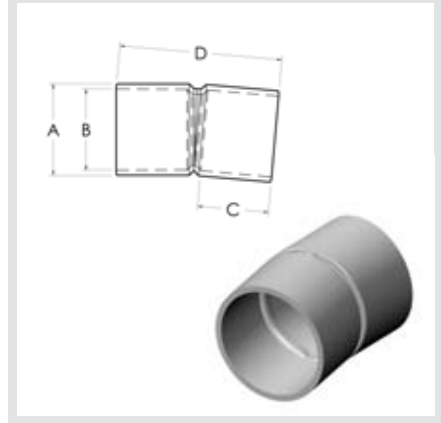
Fabricated: Dimensions subject to revisions without notice while still meeting minimum standards.

# RIGID PVC CONDUIT FITTINGS

SIZE (IN)	RBP PART NUMBER	CARTON QUANTITY	OUTSIDE DIAMETER (OD) (IN)	INSIDE DIAMETER (ID) (IN)	SOCKET DEPTH (S) (IN)	LENGTH (L)(IN)
2"	E013200	20	2.669	2.375	2.000	5.500
2 1/2"	E013250	12	3.237	2.875	2.700	6.700
3"	E013300	25	3.891	3.500	2.300	6.600
3 1/2"	E013350	15	4.409	4.000	2.800	7.500
4"	E013400	15	4.928	4.500	3.000	8.200
5"	E013500	8	6.041	5.563	3.400	9.400
6"	E013600	4	7.143	6.625	4.200	11.400

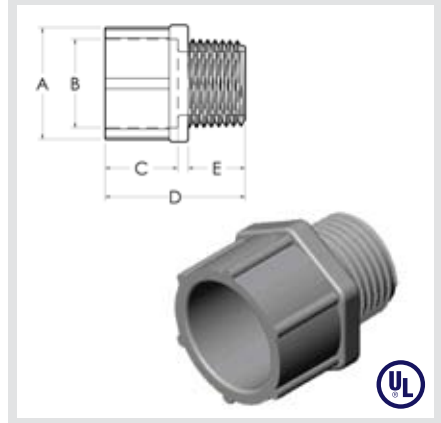
Fabricated: Dimensions subject to revisions without notice while still meeting minimum standards.

## 5° COUPLING



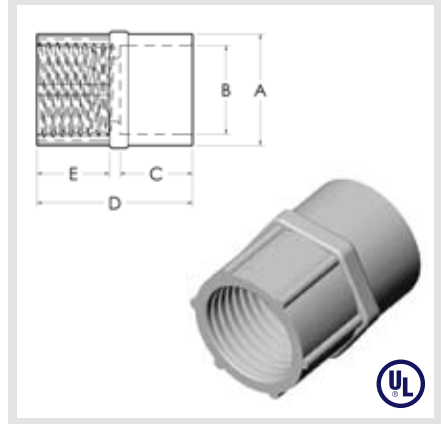
SIZE	RBP PART NUMBER	CARTON QUANTITY	A (IN)	B (IN)	C (IN)	D (IN)	E (IN)	THREAD SIZE (IN)
1/2"	E011050	200	1.056	0.840	0.700	1.350	0.550	1/2" - 14
3/4"	E011075	125	1.268	1.050	0.750	1.400	0.550	3/4" - 14
1"	E011100	70	1.545	1.315	0.900	1.820	0.810	1" - 11.5
1 1/4"	E011125	40	1.932	1.660	0.970	1.920	0.820	1 1/4" - 11.5
1 1/2"	E011150	30	2.174	1.900	1.080	2.010	0.800	1 1/2" - 11.5
2"	E011200	40	2.669	2.375	1.150	2.100	0.820	2" - 11.5
2 1/2"	E011250	20	3.237	2.875	1.500	2.700	1.000	2 1/2" - 8
3"	E011300	40	3.985	3.500	1.630	2.880	1.010	3" - 8
3 1/2"	E011350	30	4.409	4.000	2.420	3.480	0.880	3 1/2" - 8
4"	E011400	20	5.008	4.500	1.780	3.190	1.090	4" - 8
5"	E011500	10	6.129	5.565	2.780	4.730	1.700	5" - 8
6"	E011600	8	7.239	6.625	3.030	5.220	1.910	6" - 8

## TERMINAL ADAPTER



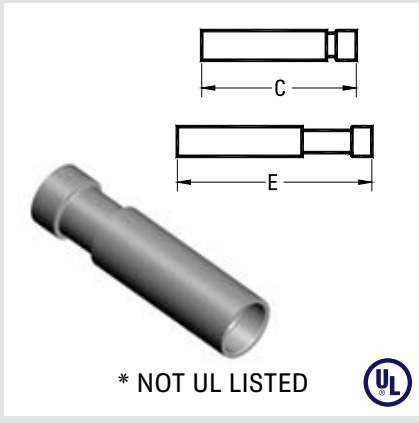
SIZE	RBP PART NUMBER	CARTON QUANTITY	A (IN)	B (IN)	C (IN)	D (IN)	E (IN)	THREAD SIZE (IN)
1/2"	E012050	200	1.056	0.840	0.700	1.460	0.660	1/2" - 14
3/4"	E012075	125	1.268	1.050	0.750	1.600	0.750	3/4" - 14
1"	E012100	70	1.545	1.315	0.900	1.930	0.940	1" - 11.5
1 1/4"	E012125	40	1.932	1.660	0.970	2.100	1.010	1 1/4" - 11.5
1 1/2"	E012150	30	2.174	1.900	1.080	2.330	1.120	1 1/2" - 11.5
2"	E012200	40	2.669	2.375	1.150	2.470	1.190	2" - 11.5
2 1/2"	E012250	20	3.237	2.875	1.500	2.930	1.220	2 1/2" - 8
3"	E012300	40	3.985	3.500	1.630	3.460	1.630	3" - 8
3 1/2"	E012350	30	4.409	4.000	2.420	4.300	1.680	3 1/2" - 8
4"	E012400	20	5.008	4.500	1.780	3.340	1.310	4" - 8
5"	E012500	10	6.129	5.565	1.950	4.040	1.840	5" - 8
6"	E012600	8	7.239	6.625	3.030	4.880	1.600	6" - 8

## FEMALE ADAPTER (NPT TAPERED THREAD)



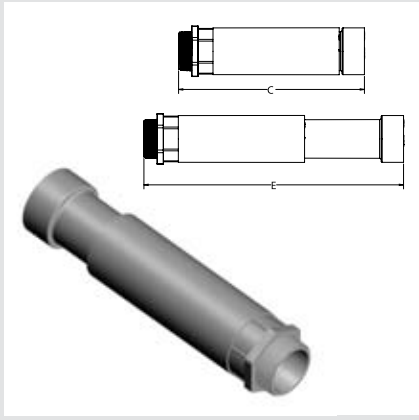
# RIGID PVC CONDUIT FITTINGS

## EXPANSION JOINT



SIZE (IN)	RBP PART NUMBER	CARTON QUANTITY	EXPANDED (E) (IN)	CONTRACTED (C) (IN)	TRAVEL (IN)
1/2" *	E016050	25	12.20	8.20	4.00
3/4"	E016075	10	12.20	8.20	4.00
1"	E016100	10	12.40	8.40	4.00
1 1/4"	E016125	5	13.00	9.00	4.00
1 1/2"	E016150	5	13.00	9.00	4.00
2"	E016200	25	13.25	9.25	4.00
2 1/2" *	E016250	12	22.20	14.20	8.00
3"	E016300	12	22.25	14.25	8.00
3 1/2" *	E016350	6	22.25	14.25	8.00
4"	E016400	6	22.85	14.85	8.00
5" *	E016500	1	32.00	24.00	8.00
6"	E016600	1	34.30	26.30	8.00

## EXPANSION JOINT W/ TERMINAL ADAPTER



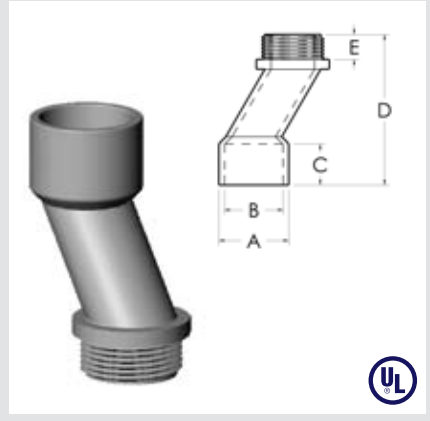
SIZE (IN)	RBP PART NUMBER	CARTON QUANTITY	EXPANDED (E) (IN)	CONTRACTED (C) (IN)	TRAVEL (IN)
2" x 4" travel	E016200TA	4	15.35	11.35	4.00
2 1/2" x 8" travel	E016250TA	8	24.90	16.90	8.00
3" x 8" travel	E016300TA	8	25.15	17.15	8.00
4" x 8" travel	E016400TA	8	26.00	18.00	8.00



# RIGID PVC CONDUIT FITTINGS

SIZE	RBP PART NUMBER	CARTON QUANTITY	A (IN)	B (IN)	C (IN)	D (IN)	E (IN)	THREAD SIZE (IN)
1 1/4"	E024125	15	1.932	1.660	1.170	4.260	0.710	1 1/4"-11.5
2"	E024200	8	2.669	2.375	1.160	4.290	0.720	2"-11.5

## METER OFFSET



SIZE (IN)	RBP PART NUMBER	CARTON QUANTITY
1/2"	E025050	10
3/4"	E025075	10
1"	E025100	20
1 1/4"	E025125	20
1 1/2"	E025150	20
2"	E025200	5
2 1/2"	E025250	5
3"	E025300	5
3 1/2"	E025350	5
4"	E025400	1

## SERVICE ENTRANCE FITTING



SIZE (IN)	RBP PART NUMBER	CARTON QUANTITY
1/2"	E039050	300
3/4"	E039075	200
1"	E039100	200
1 1/4"	E039125	200
1 1/2"	E039150	200
2"	E039200	200

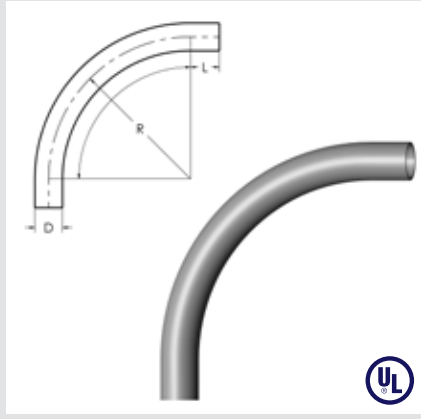
## PIPE STRAP PVC 2 HOLE



# RIGID PVC CONDUIT FITTINGS

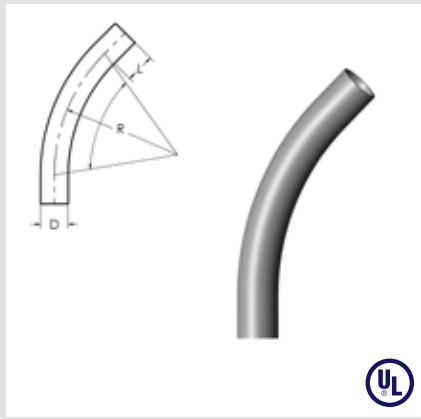
Length and radius meet minimum dimensions.

## SCH 40 STANDARD ELBOWS 90° PLAIN END



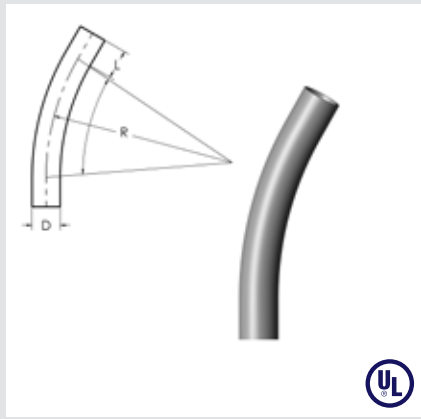
SIZE (IN)	RBP PART NUMBER	CARTON QUANTITY	DIAMETER (D) (IN)	LENGTH (L) (IN)	RADIUS (R) (IN)
1/2"	E018050	50	0.840	1.500	4.00
3/4"	E018075	35	1.050	1.500	4.50
1"	E018100	20	1.315	1.875	5.75
1 1/4"	E018125	30	1.660	2.000	7.25
1 1/2"	E018150	30	1.900	2.000	8.25
2"	E018200	15	2.375	2.000	9.50
2 1/2"	E018250	18	2.875	3.000	10.50
3"	E018300	14	3.500	3.125	13.00
3 1/2"	E018350	12	4.000	3.250	15.00
4"	E018400	10	4.500	3.375	16.00
5"	E018500	1	5.565	3.625	24.00
6"	E018600	1	6.625	3.750	30.00

## SCH 40 STANDARD ELBOWS 45° PLAIN END



SIZE (IN)	RBP PART NUMBER	CARTON QUANTITY	DIAMETER (D) (IN)	LENGTH (L) (IN)	RADIUS (R) (IN)
1/2"	E019050	50	0.840	1.500	4.00
3/4"	E019075	25	1.050	1.500	4.50
1"	E019100	20	1.315	1.875	5.75
1 1/4"	E019125	25	1.660	2.000	7.25
1 1/2"	E019150	20	1.900	2.000	8.25
2"	E019200	10	2.375	2.000	9.50
2 1/2"	E019250	20	2.875	3.000	10.50
3"	E019300	8	3.500	3.125	13.00
3 1/2"	E019350	5	4.000	3.250	15.00
4"	E019400	20	4.500	3.375	16.00
5"	E019500	1	5.565	3.625	24.00
6"	E019600	1	6.625	3.750	30.00

## SCH 40 STANDARD ELBOWS 30° PLAIN END



SIZE (IN)	RBP PART NUMBER	CARTON QUANTITY	DIAMETER (D) (IN)	LENGTH (L) (IN)	RADIUS (R) (IN)
1/2"	E020050	50	0.840	1.500	4.00
3/4"	E020075	25	1.050	1.500	4.50
1"	E020100	20	1.315	1.875	5.75
1 1/4"	E020125	25	1.660	2.000	7.25
1 1/2"	E020150	50	1.900	2.000	8.25
2"	E020200	10	2.375	2.000	9.50
2 1/2"	E020250	20	2.875	3.000	10.50
3"	E020300	8	3.500	3.125	13.00
3 1/2"	E020350	5	4.000	3.250	15.00
4"	E020400	20	4.500	3.375	16.00
5"	E020500	1	5.565	3.625	24.00
6"	E020600	1	6.625	3.750	30.00

# RIGID PVC CONDUIT FITTINGS

Length and radius meet minimum dimensions.

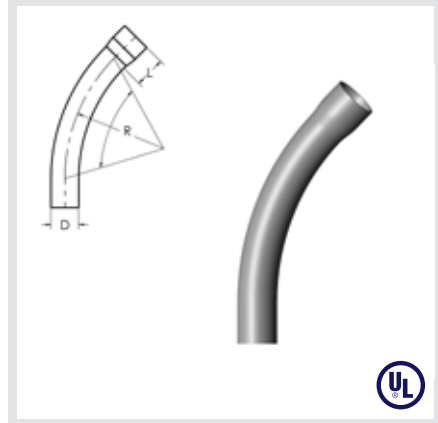
SIZE (IN)	RBP PART NUMBER	CARTON QUANTITY	DIAMETER (D) (IN)	LENGTH (L) (IN)	RADIUS (R) (IN)
1/2"	E021050	50	0.840	1.500	4.00
3/4"	E021075	35	1.050	1.500	4.50
1"	E021100	20	1.315	1.875	5.75
1 1/4"	E021125	30	1.660	2.000	7.25
1 1/2"	E021150	30	1.900	2.000	8.25
2"	E021200	15	2.375	2.000	9.50
2 1/2"	E021250	18	2.875	3.000	10.50
3"	E021300	14	3.500	3.125	13.00
3 1/2"	E021350	12	4.000	3.250	15.00
4"	E021400	10	4.500	3.375	16.00
5"	E021500	1	5.565	3.625	24.00
6"	E021600	1	6.625	3.750	30.00

## SCH 40 STANDARD ELBOWS 90° BELL END



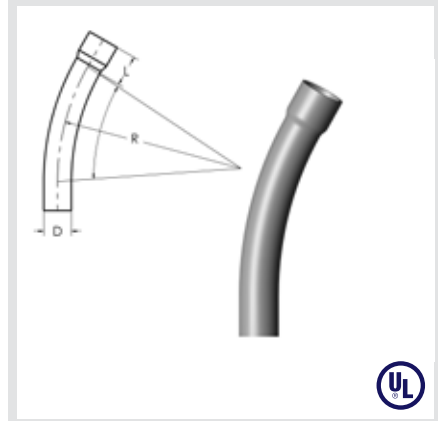
SIZE (IN)	RBP PART NUMBER	CARTON QUANTITY	DIAMETER (D) (IN)	LENGTH (L) (IN)	RADIUS (R) (IN)
1/2"	E022050	50	0.840	1.500	4.00
3/4"	E022075	25	1.050	1.500	4.50
1"	E022100	20	1.315	1.875	5.75
1 1/4"	E022125	25	1.660	2.000	7.25
1 1/2"	E022150	20	1.900	2.000	8.25
2"	E022200	10	2.375	2.000	9.50
2 1/2"	E022250	20	2.875	3.000	10.50
3"	E022300	8	3.500	3.125	13.00
3 1/2"	E022350	5	4.000	3.250	15.00
4"	E022400	20	4.500	3.375	16.00
5"	E022500	1	5.565	3.625	24.00
6"	E022600	1	6.625	3.750	30.00

## SCH 40 STANDARD ELBOWS 45° BELL END



SIZE (IN)	RBP PART NUMBER	CARTON QUANTITY	DIAMETER (D) (IN)	LENGTH (L) (IN)	RADIUS (R) (IN)
1/2"	E072050	50	0.840	1.500	4.00
3/4"	E072075	35	1.050	1.500	4.50
1"	E072100	50	1.315	1.875	5.75
1 1/4"	E072125	30	1.660	2.000	7.25
1 1/2"	E072150	50	1.900	2.000	8.25
2"	E072200	10	2.375	2.000	9.50
2 1/2"	E072250	10	2.875	3.000	10.50
3"	E072300	8	3.500	3.125	13.00
3 1/2"	E072350	5	4.000	3.250	15.00
4"	E072400	20	4.500	3.375	16.00
5"	E072500	1	5.565	3.625	24.00
6"	E072600	1	6.625	3.750	30.00

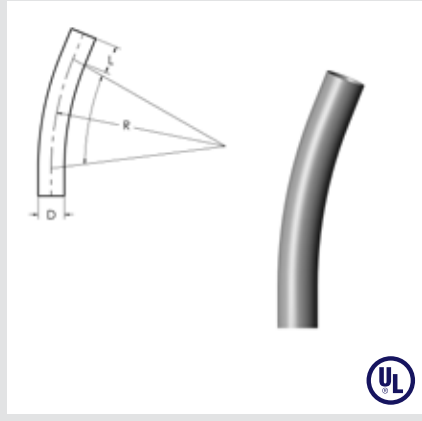
## SCH 40 STANDARD ELBOWS 30° BELL END



# RIGID PVC CONDUIT FITTINGS

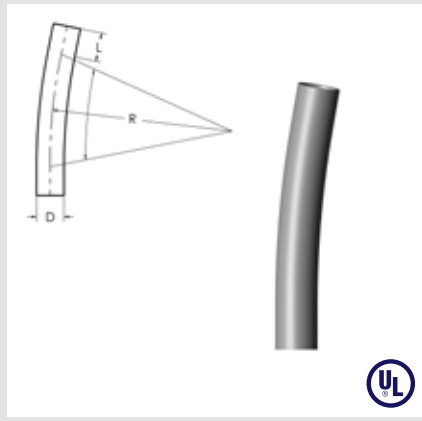
Length and radius meet minimum dimensions.

## SCH 40 STANDARD ELBOWS 22 1/2° PLAIN END



SIZE (IN)	RBP PART NUMBER	CARTON QUANTITY	DIAMETER (D) (IN)	LENGTH (L) (IN)	RADIUS (R) (IN)
1 1/4"	E084125	25	1.660	2.000	7.25
1 1/2"	E084150	20	1.900	2.000	8.25
2"	E084200	10	2.375	2.000	9.50
2 1/2"	E084250	20	2.875	3.000	10.50
3"	E084300	8	3.500	3.125	13.00
3 1/2"	E084350	5	4.000	3.250	15.00
4"	E084400	20	4.500	3.375	16.00
5"	E084500	1	5.565	3.625	24.00
6"	E084600	1	6.625	3.750	30.00

## SCH 40 STANDARD ELBOWS 11 1/4° PLAIN END



SIZE (IN)	RBP PART NUMBER	CARTON QUANTITY	DIAMETER (D) (IN)	LENGTH (L) (IN)	RADIUS (R) (IN)
2"	E087200	1	2.375	2.000	9.50
3"	E087300	1	3.500	3.125	13.00
4"	E087400	1	4.500	3.375	16.00
5"	E087500	1	5.565	3.625	24.00
6"	E087600	1	6.625	3.750	30.00

## SCH 40 SPECIAL RADIUS ELBOW PLAIN END 90° 24" RADIUS



SIZE (IN)	RBP PART NUMBER	CARTON QUANTITY	DIAMETER (D) (IN)	LENGTH (L) (IN)	RADIUS (R) (IN)
1"	E07510024	1	1.315	1.875	24.00
1 1/4"	E07512524	1	1.660	2.000	24.00
1 1/2"	E07515024	1	1.900	2.000	24.00
2"	E07520024	1	2.375	2.000	24.00
2 1/2"	E07525024	1	2.875	3.000	24.00
3"	E07530024	1	3.500	3.125	24.00
3 1/2"	E07535024	1	4.000	3.250	24.00
4"	E07540024	1	4.500	3.375	24.00
5"	E07550024	1	5.565	3.625	24.00
6"	E07560024	1	6.625	3.750	24.00

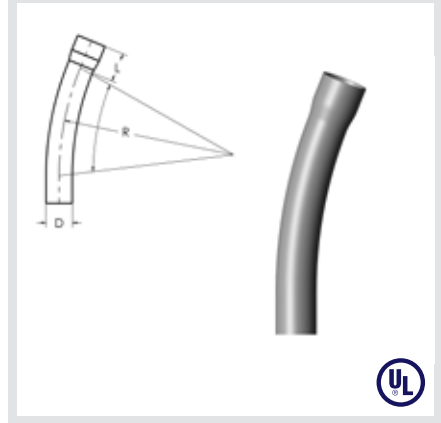


# RIGID PVC CONDUIT FITTINGS

Length and radius meet minimum dimensions.

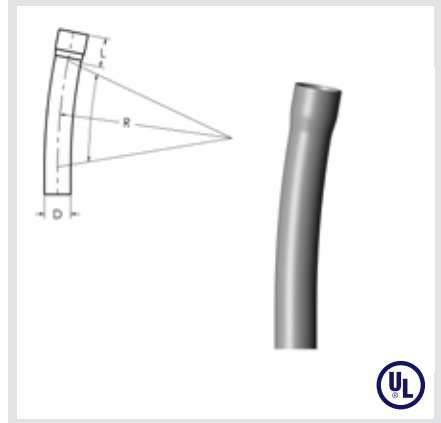
SIZE (IN)	RBP PART NUMBER	CARTON QUANTITY	DIAMETER (D) (IN)	LENGTH (L) (IN)	RADIUS (R) (IN)
1 1/2"	E097150	1	1.900	2.000	8.25
2"	E097200	1	2.375	2.000	9.50
2 1/2"	E097250	1	2.875	3.000	10.50
3"	E097300	1	3.500	3.125	13.00
3 1/2"	E097350	1	4.000	3.250	15.00
4"	E097400	1	4.500	3.375	16.00
5"	E097500	1	5.565	3.625	24.00
6"	E097600	1	6.625	3.750	30.00

**SCH 40 STANDARD ELBOWS 22 1/2° BELL END**



SIZE (IN)	RBP PART NUMBER	CARTON QUANTITY	DIAMETER (D) (IN)	LENGTH (L) (IN)	RADIUS (R) (IN)
2"	E090200	1	2.375	2.000	9.50
3"	E090300	1	3.500	3.125	13.00
4"	E090400	1	4.500	3.375	16.00
5"	E090500	1	5.565	3.625	24.00

**SCH 40 STANDARD ELBOWS 11 1/4° BELL END**



SIZE (IN)	RBP PART NUMBER	CARTON QUANTITY	DIAMETER (D) (IN)	LENGTH (L) (IN)	RADIUS (R) (IN)
2"	E07920024	1	2.375	2.000	24.00
2 1/2"	E07925024	1	2.875	3.000	24.00
3"	E07930024	1	3.500	3.125	24.00
3 1/2"	E07935024	1	4.000	3.250	24.00
4"	E07940024	1	4.500	3.375	24.00

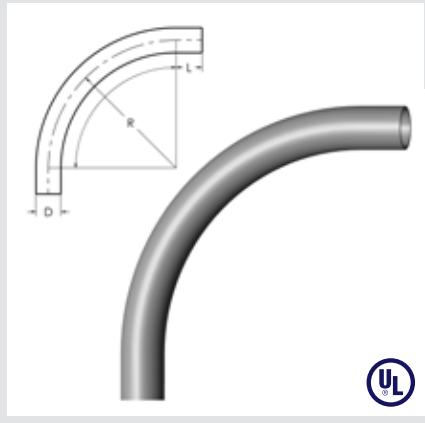
**SCH 40 SPECIAL RADIUS ELBOW BELL END 90° 24" RADIUS**



# RIGID PVC CONDUIT FITTINGS

Length and radius meet minimum dimensions.

## SCH 40 SPECIAL RADIUS ELBOW PLAIN END 90° 36" RADIUS



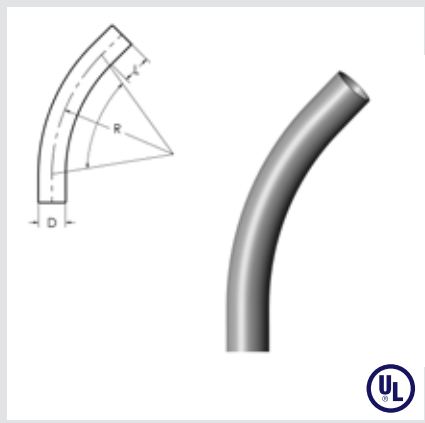
SIZE (IN)	RBP PART NUMBER	CARTON QUANTITY	DIAMETER (D) (IN)	LENGTH (L) (IN)	RADIUS (R) (IN)
1"	E07510036	1	1.315	1.875	36.00
1 1/4"	E07512536	1	1.660	2.000	36.00
1 1/2"	E07515036	1	1.900	2.000	36.00
2"	E07520036	1	2.375	2.000	36.00
2 1/2"	E07525036	1	2.875	3.000	36.00
3"	E07530036	1	3.500	3.125	36.00
3 1/2"	E07535036	1	4.000	3.250	36.00
4"	E07540036	1	4.500	3.375	36.00
5"	E07550036	1	5.565	3.625	36.00
6"	E07560036	1	6.625	3.750	36.00

## SCH 40 SPECIAL RADIUS ELBOW PLAIN END 90° 48" RADIUS



SIZE (IN)	RBP PART NUMBER	CARTON QUANTITY	DIAMETER (D) (IN)	LENGTH (L) (IN)	RADIUS (R) (IN)
1"	E07510048	1	1.315	1.875	48.00
1 1/4"	E07512548	1	1.660	2.000	48.00
1 1/2"	E07515048	1	1.900	2.000	48.00
2"	E07520048	1	2.375	2.000	48.00
2 1/2"	E07525048	1	2.875	3.000	48.00
3"	E07530048	1	3.500	3.125	48.00
3 1/2"	E07535048	1	4.000	3.250	48.00
4"	E07540048	1	4.500	3.375	48.00
5"	E07550048	1	5.565	3.625	48.00
6"	E07560048	1	6.625	3.750	48.00
8"	E07580048	1	8.625	6.625	48.00

## SCH 40 SPECIAL RADIUS ELBOW PLAIN END 45° 24" RADIUS



SIZE (IN)	RBP PART NUMBER	CARTON QUANTITY	DIAMETER (D) (IN)	LENGTH (L) (IN)	RADIUS (R) (IN)
1"	E07610024	1	1.315	1.875	24.00
1 1/4"	E07612524	1	1.660	2.000	24.00
1 1/2"	E07615024	1	1.900	2.000	24.00
2"	E07620024	1	2.375	2.000	24.00
2 1/2"	E07625024	1	2.875	3.000	24.00
3"	E07630024	1	3.500	3.125	24.00
3 1/2"	E07635024	1	4.000	3.250	24.00
4"	E07640024	1	4.500	3.375	24.00
5"	E07650024	1	5.565	3.625	24.00
6"	E07660024	1	6.625	3.750	24.00

# RIGID PVC CONDUIT FITTINGS

Length and radius meet minimum dimensions.

SIZE (IN)	RBP PART NUMBER	CARTON QUANTITY	DIAMETER (D) (IN)	LENGTH (L) (IN)	RADIUS (R) (IN)
2"	E07920036	1	2.375	2.000	36.00
2 1/2"	E07925036	1	2.875	3.000	36.00
3"	E07930036	1	3.500	3.125	36.00
3 1/2"	E07935036	1	4.000	3.250	36.00
4"	E07940036	1	4.500	3.375	36.00
5"	E07950036	1	5.565	3.625	36.00
6"	E07960036	1	6.625	3.750	36.00

**SCH 40 SPECIAL RADIUS ELBOW BELL END 90° 36" RADIUS**



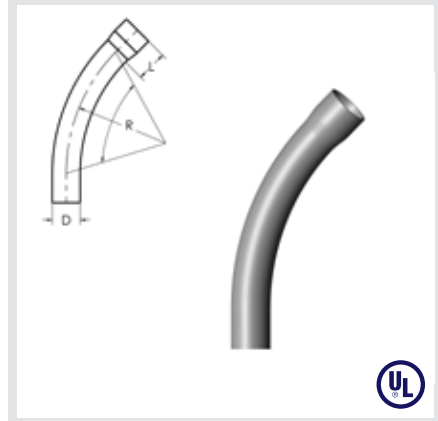
SIZE (IN)	RBP PART NUMBER	CARTON QUANTITY	DIAMETER (D) (IN)	LENGTH (L) (IN)	RADIUS (R) (IN)
2"	E07920048	1	2.375	2.000	48.00
2 1/2"	E07925048	1	2.875	3.000	48.00
3"	E07930048	1	3.500	3.125	48.00
3 1/2"	E07935048	1	4.000	3.250	48.00
4"	E07940048	1	4.500	3.375	48.00
5"	E07950048	1	5.565	3.625	48.00
6"	E07960048	1	6.625	3.750	48.00

**SCH 40 SPECIAL RADIUS ELBOW BELL END 90° 48" RADIUS**



SIZE (IN)	RBP PART NUMBER	CARTON QUANTITY	DIAMETER (D) (IN)	LENGTH (L) (IN)	RADIUS (R) (IN)
2"	E08020024	1	2.375	2.000	24.00
2 1/2"	E08025024	1	2.875	3.000	24.00
3"	E08030024	1	3.500	3.125	24.00
3 1/2"	E08035024	1	4.000	3.250	24.00
4"	E08040024	1	4.500	3.375	24.00

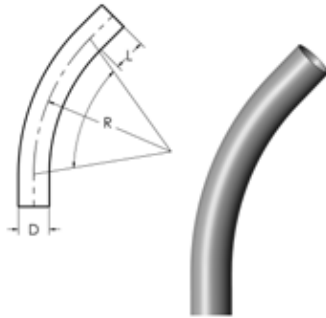
**SCH 40 SPECIAL RADIUS ELBOW BELL END 45° 24" RADIUS**



# RIGID PVC CONDUIT FITTINGS

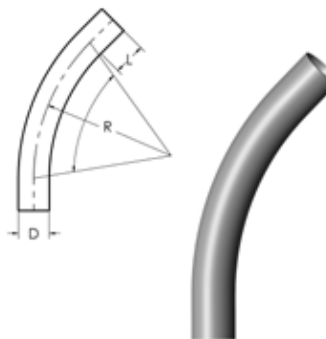
Length and radius meet minimum dimensions.

## SCH 40 SPECIAL RADIUS ELBOW PLAIN END 45° 36" RADIUS



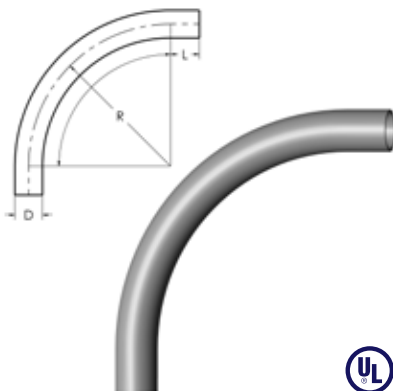
SIZE (IN)	RBP PART NUMBER	CARTON QUANTITY	DIAMETER (D) (IN)	LENGTH (L) (IN)	RADIUS (R) (IN)
1"	E07610036	1	1.315	1.875	36.00
1 1/4"	E07612536	1	1.660	2.000	36.00
1 1/2"	E07615036	1	1.900	2.000	36.00
2"	E07620036	1	2.375	2.000	36.00
2 1/2"	E07625036	1	2.875	3.000	36.00
3"	E07630036	1	3.500	3.125	36.00
3 1/2"	E07635036	1	4.000	3.250	36.00
4"	E07640036	1	4.500	3.375	36.00
5"	E07650036	1	5.565	3.625	36.00
6"	E07660036	1	6.625	3.750	36.00

## SCH 40 SPECIAL RADIUS ELBOW PLAIN END 45° 48" RADIUS



SIZE (IN)	RBP PART NUMBER	CARTON QUANTITY	DIAMETER (D) (IN)	LENGTH (L) (IN)	RADIUS (R) (IN)
1"	E07610048	1	1.315	1.875	48.00
1 1/4"	E07612548	1	1.660	2.000	48.00
1 1/2"	E07615048	1	1.900	2.000	48.00
2"	E07620048	1	2.375	2.000	48.00
2 1/2"	E07625048	1	2.875	3.000	48.00
3"	E07630048	1	3.500	3.125	48.00
3 1/2"	E07635048	1	4.000	3.250	48.00
4"	E07640048	1	4.500	3.375	48.00
5"	E07650048	1	5.565	3.625	48.00
6"	E07660048	1	6.625	3.750	48.00

## SCH 80 STANDARD ELBOWS 90° PLAIN END



SIZE (IN)	RBP PART NUMBER	CARTON QUANTITY	DIAMETER (D) (IN)	LENGTH (L) (IN)	RADIUS (R) (IN)
1/2"	E085050	50	0.840	1.500	4.00
3/4"	E085075	35	1.050	1.500	4.50
1"	E085100	20	1.315	1.875	5.75
1 1/4"	E085125	30	1.660	2.000	7.25
1 1/2"	E085150	30	1.900	2.000	8.25
2"	E085200	15	2.375	2.000	9.50
2 1/2"	E085250	18	2.875	3.000	10.50
3"	E085300	14	3.500	3.125	13.00
4"	E085400	10	4.500	3.375	16.00
5"	E085500	1	5.565	3.625	24.00
6"	E085600	1	6.625	3.750	30.00

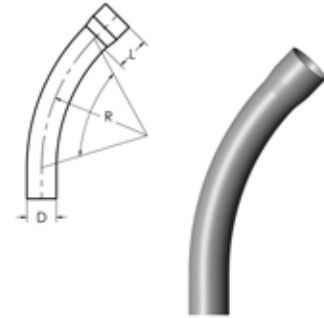


# RIGID PVC CONDUIT FITTINGS

Length and radius meet minimum dimensions.

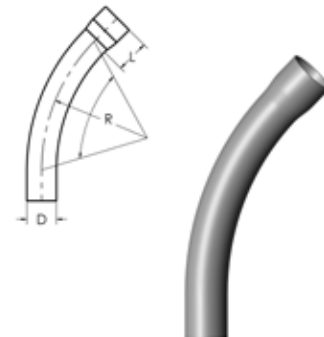
SIZE (IN)	RBP PART NUMBER	CARTON QUANTITY	DIAMETER (D) (IN)	LENGTH (L) (IN)	RADIUS (R) (IN)
2"	E08020036	1	2.375	2.000	36.00
2 1/2"	E08025036	1	2.875	3.000	36.00
3"	E08030036	1	3.500	3.125	36.00
3 1/2"	E08035036	1	4.000	3.250	36.00
4"	E08040036	1	4.500	3.375	36.00
5"	E08050036	1	5.565	3.625	36.00
6"	E08060036	1	6.625	3.750	36.00

## SCH 40 SPECIAL RADIUS ELBOW BELL END 45° 36" RADIUS



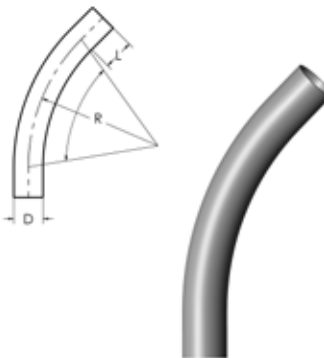
SIZE (IN)	RBP PART NUMBER	CARTON QUANTITY	DIAMETER (D) (IN)	LENGTH (L) (IN)	RADIUS (R) (IN)
2"	E08020048	1	2.375	2.000	48.00
2 1/2"	E08025048	1	2.875	3.000	48.00
3"	E08030048	1	3.500	3.125	48.00
3 1/2"	E08035048	1	4.000	3.250	48.00
4"	E08040048	1	4.500	3.375	48.00
5"	E08050048	1	5.565	3.625	48.00
6"	E08060048	1	6.625	3.750	48.00

## SCH 40 SPECIAL RADIUS ELBOW BELL END 45° 48" RADIUS



SIZE (IN)	RBP PART NUMBER	CARTON QUANTITY	DIAMETER (D) (IN)	LENGTH (L) (IN)	RADIUS (R) (IN)
1/2"	E086050	50	0.840	1.500	4.00
3/4"	E086075	25	1.050	1.500	4.50
1"	E086100	20	1.315	1.875	5.75
1 1/4"	E086125	25	1.660	2.000	7.25
1 1/2"	E086150	20	1.900	2.000	8.25
2"	E086200	10	2.375	2.000	9.50
2 1/2"	E086250	20	2.875	3.000	10.50
3"	E086300	8	3.500	3.125	13.00
4"	E086400	20	4.500	3.375	16.00
5"	E086500	1	5.565	3.625	24.00
6"	E086600	1	6.625	3.750	30.00

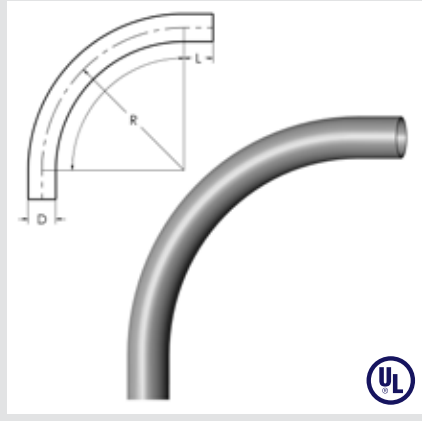
## SCH 80 STANDARD ELBOWS 45° PLAIN END



# RIGID PVC CONDUIT FITTINGS

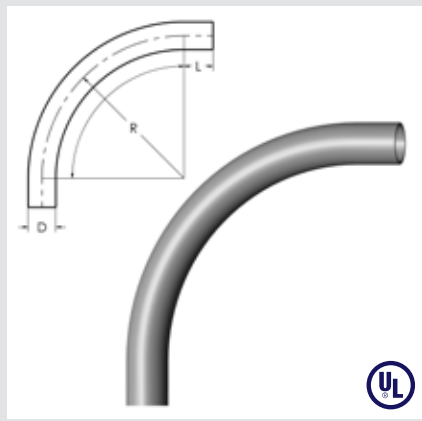
Length and radius meet minimum dimensions.

## SCH 80 SPECIAL RADIUS ELBOW PLAIN END 90° 24" RADIUS



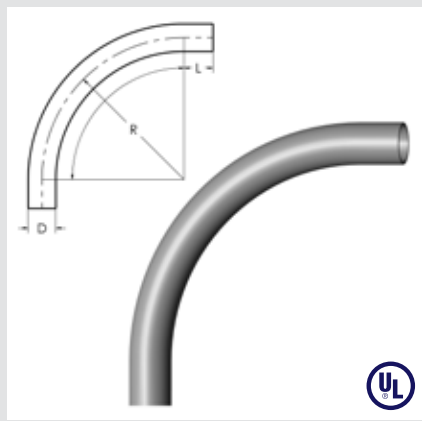
SIZE (IN)	RBP PART NUMBER	CARTON QUANTITY	DIAMETER (D) (IN)	LENGTH (L) (IN)	RADIUS (R) (IN)
1"	E07710024	1	1.315	1.875	24.00
1 1/4"	E07712524	1	1.660	2.000	24.00
1 1/2"	E07715024	1	1.900	2.000	24.00
2"	E07720024	1	2.375	2.000	24.00
2 1/2"	E07725024	1	2.875	3.000	24.00
3"	E07730024	1	3.500	3.125	24.00
4"	E07740024	1	4.500	3.375	24.00

## SCH 80 SPECIAL RADIUS ELBOW PLAIN END 90° 36" RADIUS



SIZE (IN)	RBP PART NUMBER	CARTON QUANTITY	DIAMETER (D) (IN)	LENGTH (L) (IN)	RADIUS (R) (IN)
1"	E07710036	1	1.315	1.875	36.00
1 1/4"	E07712536	1	1.660	2.000	36.00
1 1/2"	E07715036	1	1.900	2.000	36.00
2"	E07720036	1	2.375	2.000	36.00
2 1/2"	E07725036	1	2.875	3.000	36.00
3"	E07730036	1	3.500	3.125	36.00
4"	E07740036	1	4.500	3.375	36.00
5"	E07750036	1	5.565	3.625	36.00
6"	E07760036	1	6.625	3.750	36.00

## SCH 80 SPECIAL RADIUS ELBOW PLAIN END 90° 48" RADIUS



SIZE (IN)	RBP PART NUMBER	CARTON QUANTITY	DIAMETER (D) (IN)	LENGTH (L) (IN)	RADIUS (R) (IN)
1"	E07710048	1	1.315	1.875	48.00
1 1/4"	E07712548	1	1.660	2.000	48.00
1 1/2"	E07715048	1	1.900	2.000	48.00
2"	E07720048	1	2.375	2.000	48.00
2 1/2"	E07725048	1	2.875	3.000	48.00
3"	E07730048	1	3.500	3.125	48.00
4"	E07740048	1	4.500	3.375	48.00
5"	E07750048	1	5.565	3.625	48.00
6"	E07760048	1	6.625	3.750	48.00

# RIGID PVC CONDUIT FITTINGS

Length and radius meet minimum dimensions.

SIZE (IN)	RBP PART NUMBER	CARTON QUANTITY	DIAMETER (D) (IN)	LENGTH (L) (IN)	RADIUS (R) (IN)
1"	E08210024	1	1.315	1.875	24.00
1 1/4"	E08212524	1	1.660	2.000	24.00
1 1/2"	E08215024	1	1.900	2.000	24.00
2"	E08220024	1	2.375	2.000	24.00
2 1/2"	E08225024	1	2.875	3.000	24.00
3"	E08230024	1	3.500	3.125	24.00
4"	E08240024	1	4.500	3.375	24.00

**SCH 80 SPECIAL RADIUS ELBOW  
BELL END 90° 24" RADIUS**



SIZE (IN)	RBP PART NUMBER	CARTON QUANTITY	DIAMETER (D) (IN)	LENGTH (L) (IN)	RADIUS (R) (IN)
1"	E08210036	1	1.315	1.875	36.00
1 1/4"	E08212536	1	1.660	2.000	36.00
1 1/2"	E08215036	1	1.900	2.000	36.00
2"	E08220036	1	2.375	2.000	36.00
2 1/2"	E08225036	1	2.875	3.000	36.00
3"	E08230036	1	3.500	3.125	36.00
4"	E08240036	1	4.500	3.375	36.00
5"	E08250036	1	5.565	3.625	36.00
6"	E08260036	1	6.625	3.750	36.00

**SCH 80 SPECIAL RADIUS ELBOW  
BELL END 90° 36" RADIUS**



SIZE (IN)	RBP PART NUMBER	CARTON QUANTITY	DIAMETER (D) (IN)	LENGTH (L) (IN)	RADIUS (R) (IN)
1"	E08210048	1	1.315	1.875	48.00
1 1/4"	E08212548	1	1.660	2.000	48.00
1 1/2"	E08215048	1	1.900	2.000	48.00
2"	E08220048	1	2.375	2.000	48.00
2 1/2"	E08225048	1	2.875	3.000	48.00
3"	E08230048	1	3.500	3.125	48.00
4"	E08240048	1	4.500	3.375	48.00
5"	E08250048	1	5.565	3.625	48.00

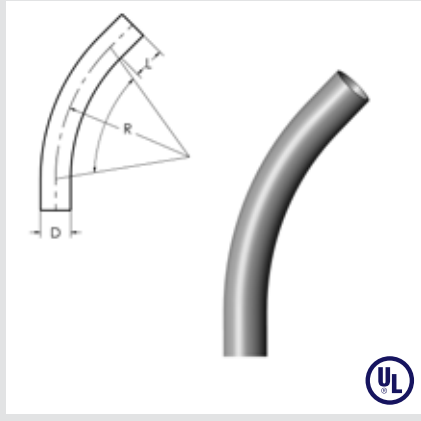
**SCH 80 SPECIAL RADIUS ELBOW  
BELL END 90° 48" RADIUS**



# RIGID PVC CONDUIT FITTINGS

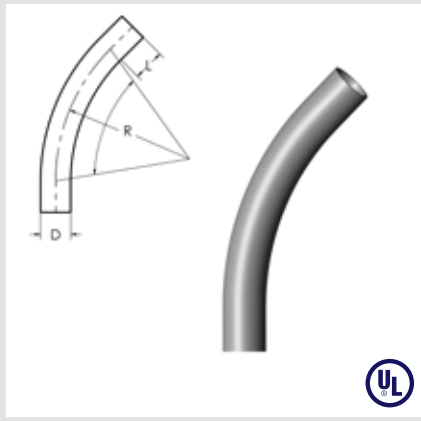
Length and radius meet minimum dimensions.

## SCH 80 SPECIAL RADIUS ELBOW PLAIN END 45° 24" RADIUS



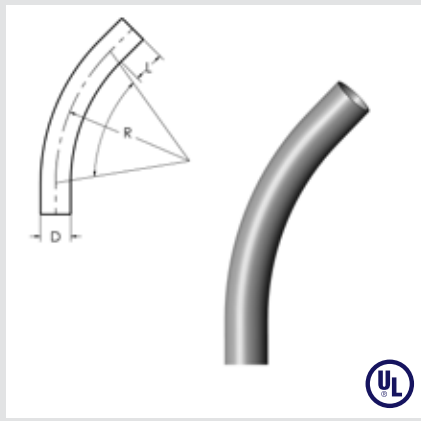
SIZE (IN)	RBP PART NUMBER	CARTON QUANTITY	DIAMETER (D) (IN)	LENGTH (L) (IN)	RADIUS (R) (IN)
1"	E07810024	1	1.315	1.875	24.00
1 1/4"	E07812524	1	1.660	2.000	24.00
1 1/2"	E07815024	1	1.900	2.000	24.00
2"	E07820024	1	2.375	2.000	24.00
2 1/2"	E07825024	1	2.875	3.000	24.00
3"	E07830024	1	3.500	3.125	24.00
4"	E07840024	1	4.500	3.375	24.00

## SCH 80 SPECIAL RADIUS ELBOW PLAIN END 45° 36" RADIUS



SIZE (IN)	RBP PART NUMBER	CARTON QUANTITY	DIAMETER (D) (IN)	LENGTH (L) (IN)	RADIUS (R) (IN)
1"	E07810036	1	1.315	1.875	36.00
1 1/4"	E07812536	1	1.660	2.000	36.00
1 1/2"	E07815036	1	1.900	2.000	36.00
2"	E07820036	1	2.375	2.000	36.00
2 1/2"	E07825036	1	2.875	3.000	36.00
3"	E07830036	1	3.500	3.125	36.00
4"	E07840036	1	4.500	3.375	36.00
5"	E07850036	1	5.565	3.625	36.00
6"	E07860036	1	6.625	3.750	36.00

## SCH 80 SPECIAL RADIUS ELBOW PLAIN END 45° 48" RADIUS



SIZE (IN)	RBP PART NUMBER	CARTON QUANTITY	DIAMETER (D) (IN)	LENGTH (L) (IN)	RADIUS (R) (IN)
1"	E07810048	1	1.315	1.875	48.00
1 1/4"	E07812548	1	1.660	2.000	48.00
1 1/2"	E07815048	1	1.900	2.000	48.00
2"	E07820048	1	2.375	2.000	48.00
2 1/2"	E07825048	1	2.875	3.000	48.00
3"	E07830048	1	3.500	3.125	48.00
4"	E07840048	1	4.500	3.375	48.00
5"	E07850048	1	5.565	3.625	48.00

# RIGID PVC CONDUIT FITTINGS

Length and radius meet minimum dimensions.

SIZE (IN)	RBP PART NUMBER	CARTON QUANTITY	DIAMETER (D) (IN)	LENGTH (L) (IN)	RADIUS (R) (IN)
1"	E08310024	1	1.315	1.875	24.00
1 1/4"	E08312524	1	1.660	2.000	24.00
1 1/2"	E08315024	1	1.900	2.000	24.00
2"	E08320024	1	2.375	2.000	24.00
2 1/2"	E08325024	1	2.875	3.000	24.00
3"	E08330024	1	3.500	3.125	24.00
4"	E08340024	1	4.500	3.375	24.00

**SCH 80 SPECIAL RADIUS ELBOW  
BELL END 45° 24" RADIUS**



SIZE (IN)	RBP PART NUMBER	CARTON QUANTITY	DIAMETER (D) (IN)	LENGTH (L) (IN)	RADIUS (R) (IN)
1"	E08310036	1	1.315	1.875	36.00
1 1/4"	E08312536	1	1.660	2.000	36.00
1 1/2"	E08315036	1	1.900	2.000	36.00
2"	E08320036	1	2.375	2.000	36.00
2 1/2"	E08325036	1	2.875	3.000	36.00
3"	E08330036	1	3.500	3.125	36.00
4"	E08340036	1	4.500	3.375	36.00
5"	E08350036	1	5.565	3.625	36.00
6"	E08360036	1	6.625	3.750	36.00

**SCH 80 SPECIAL RADIUS ELBOW  
BELL END 45° 36" RADIUS**



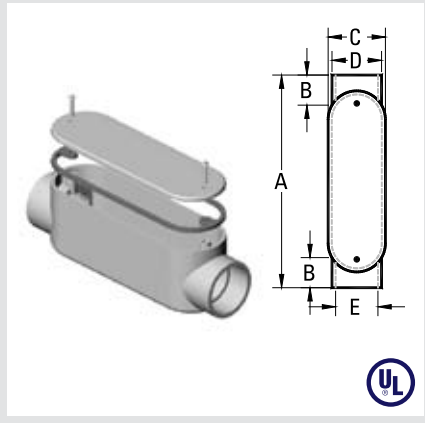
SIZE (IN)	RBP PART NUMBER	CARTON QUANTITY	DIAMETER (D) (IN)	LENGTH (L) (IN)	RADIUS (R) (IN)
1"	E08310048	1	1.315	1.875	48.00
1 1/4"	E08312548	1	1.660	2.000	48.00
1 1/2"	E08315048	1	1.900	2.000	48.00
2"	E08320048	1	2.375	2.000	48.00
2 1/2"	E08325048	1	2.875	3.000	48.00
3"	E08330048	1	3.500	3.125	48.00
4"	E08340048	1	4.500	3.375	48.00
5"	E08350048	1	5.565	3.625	48.00

**SCH 80 SPECIAL RADIUS ELBOW  
BELL END 45° 48" RADIUS**



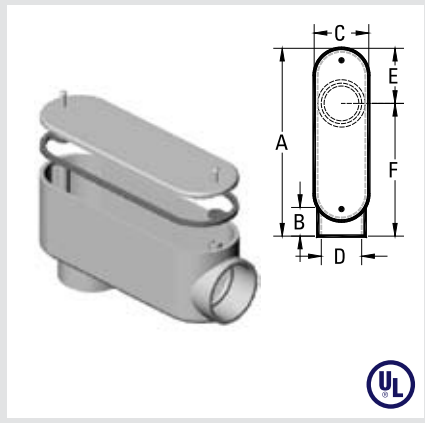
# RIGID PVC CONDUIT FITTINGS

## ACCESS FITTING TYPE C (SELF-TAPPING SCREWS)



SIZE (IN)	RBP PART NUMBER	CARTON QUANTITY	A (IN)	B (IN)	C (IN)	D (IN)	E (IN)
1/2"	E032050	25	4.540	0.520	1.320	1.052	0.840
3/4"	E032075	15	5.650	0.740	1.530	1.264	1.050
1"	E032100	10	6.520	0.810	1.730	1.540	1.315
1 1/4"	E032125	10	7.940	0.990	2.270	1.927	1.660
1 1/2"	E032150	10	8.580	0.980	2.600	2.168	1.900
2"	E032200	5	10.880	1.040	3.230	2.663	2.375
2 1/2"	E032250	5	14.600	1.740	4.500	3.230	2.875
3"	E032300	5	14.600	1.740	4.500	3.957	3.500
3 1/2"	E032350	4	16.860	1.660	5.560	4.477	4.000
4"	E032400	4	16.860	1.660	5.560	4.999	4.500

## ACCESS FITTING TYPE LB (SELF-TAPPING SCREWS)



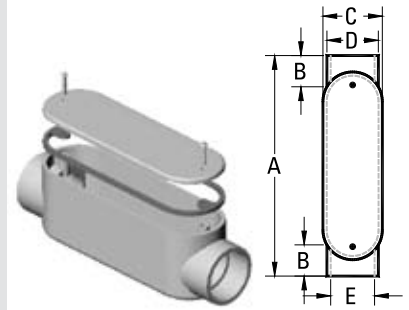
SIZE (IN)	RBP PART NUMBER	CARTON QUANTITY	A (IN)	B (IN)	C (IN)	D (IN)	E (IN)	F (IN)
1/2"	E033050	25	4.280	0.520	1.320	0.840	1.000	3.280
3/4"	E033075	15	5.380	0.740	1.530	1.050	1.230	4.150
1"	E033100	10	6.240	0.810	1.730	1.315	1.400	4.840
1 1/4"	E033125	10	7.700	0.990	2.270	1.660	1.880	5.820
1 1/2"	E033150	10	8.310	0.980	2.600	1.900	1.880	6.430
2"	E033200	5	10.540	1.040	3.230	2.375	2.370	8.170
2 1/2"	E033250	5	13.600	1.740	4.500	2.875	2.660	10.940
3"	E033300	5	13.600	1.740	4.500	3.500	2.660	10.940
3 1/2"	E033350	4	15.980	1.660	5.560	4.000	3.230	12.750
4"	E033400	4	15.980	1.660	5.560	4.500	3.230	12.750



## RIGID PVC CONDUIT FITTINGS

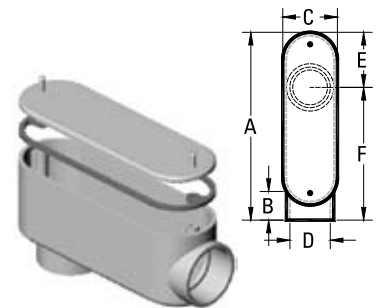
SIZE (IN)	RBP PART NUMBER	CARTON QUANTITY	A (IN)	B (IN)	C (IN)	D (IN)	E (IN)
1/2"	E532050	30	4.540	0.520	1.320	1.052	0.840
3/4"	E532075	20	5.650	0.740	1.530	1.264	1.050
1"	E532100	15	6.520	0.810	1.730	1.540	1.315
1 1/4"	E532125	15	7.940	0.990	2.270	1.927	1.660
1 1/2"	E532150	10	8.580	0.980	2.600	2.168	1.900
2"	E532200	15	10.880	1.040	3.230	2.663	2.375
2 1/2"	E532250	4	14.600	1.740	4.500	3.230	2.875
3"	E532300	4	14.600	1.740	4.500	3.957	3.500
3 1/2"	E532350	4	16.860	1.660	5.560	4.477	4.000
4"	E532400	4	16.860	1.660	5.560	4.999	4.500

### ACCESS FITTING TYPE C (BRASS SCREWS AND INSERTS)



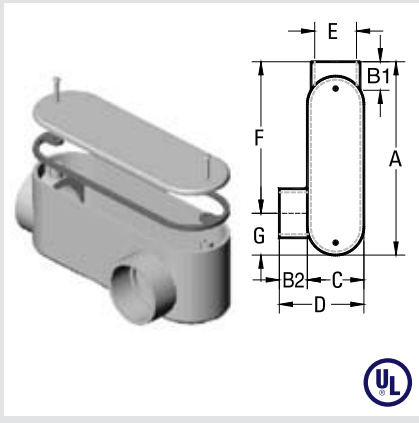
SIZE (IN)	RBP PART NUMBER	CARTON QUANTITY	A (IN)	B (IN)	C (IN)	D (IN)	E (IN)	F (IN)
1/2"	E533050	25	4.280	0.520	1.320	0.840	1.000	3.280
3/4"	E533075	25	5.380	0.740	1.530	1.050	1.230	4.150
1"	E533100	15	6.240	0.810	1.730	1.315	1.400	4.840
1 1/4"	E533125	20	7.700	0.990	2.270	1.660	1.880	5.820
1 1/2"	E533150	10	8.310	0.980	2.600	1.900	1.880	6.430
2"	E533200	15	10.540	1.040	3.230	2.375	2.370	8.170
2 1/2"	E533250	5	13.600	1.740	4.500	2.875	2.660	10.940
3"	E533300	5	13.600	1.740	4.500	3.500	2.660	10.940
3 1/2"	E533350	5	15.980	1.660	5.560	4.000	3.230	12.750
4"	E533400	5	15.980	1.660	5.560	4.500	3.230	12.750

### ACCESS FITTING TYPE LB (BRASS SCREWS AND INSERTS)



# RIGID PVC CONDUIT FITTINGS

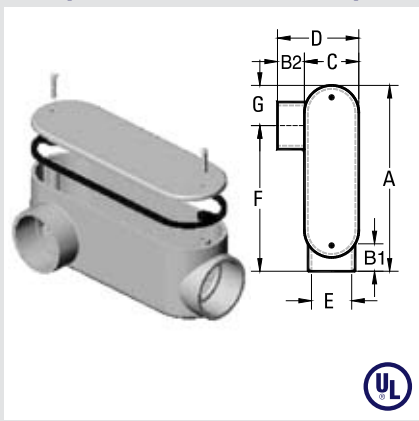
## ACCESS FITTING TYPE LL (SELF-TAPPING SCREWS)



SIZE (IN)	RBP PART NUMBER	CARTON QUANTITY	A (IN)	B1 (IN)	B2 (IN)	C (IN)	D (IN)	E (IN)	F (IN)	G (IN)
-----------	-----------------	-----------------	--------	---------	---------	--------	--------	--------	--------	--------

1/2"	E034050	25	4.280	0.520	0.660	1.320	1.980	0.840	3.290	0.990
3/4"	E034075	15	5.380	0.740	0.840	1.530	2.370	1.050	4.150	1.230
1"	E034100	10	6.240	0.810	0.900	1.730	2.630	1.315	4.840	1.400
1 1/4"	E034125	10	7.700	0.990	1.100	2.270	3.370	1.660	5.820	1.880
1 1/2"	E034150	10	8.310	0.980	1.120	2.600	3.720	1.900	6.430	1.880
2"	E034200	5	10.540	1.040	1.070	3.230	4.300	2.375	8.160	2.380
2 1/2"	E034250	5	13.600	1.740	1.820	4.500	6.320	2.875	9.760	3.840
3"	E034300	5	13.600	1.740	1.820	4.500	6.320	3.500	9.760	3.840
3 1/2"	E034350	4	15.980	1.660	2.020	5.560	7.580	4.000	11.480	4.500
4"	E034400	4	15.980	1.660	2.020	5.560	7.580	4.500	11.480	4.500

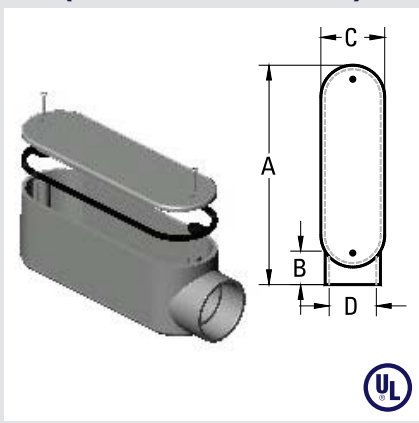
## ACCESS FITTING TYPE LR (SELF-TAPPING SCREWS)



SIZE (IN)	RBP PART NUMBER	CARTON QUANTITY	A (IN)	B1 (IN)	B2 (IN)	C (IN)	D (IN)	E (IN)	F (IN)	G (IN)
-----------	-----------------	-----------------	--------	---------	---------	--------	--------	--------	--------	--------

1/2"	E035050	25	4.280	0.520	0.660	1.320	1.980	0.840	3.290	0.990
3/4"	E035075	15	5.380	0.740	0.840	1.530	2.370	1.050	4.150	1.230
1"	E035100	10	6.240	0.810	0.900	1.730	2.630	1.315	4.840	1.400
1 1/4"	E035125	10	7.700	0.990	1.100	2.270	3.370	1.660	5.820	1.880
1 1/2"	E035150	10	8.310	0.980	1.120	2.600	3.720	1.900	6.430	1.880
2"	E035200	5	10.540	1.040	1.070	3.230	4.300	2.375	8.160	2.380
2 1/2"	E035250	5	13.600	1.740	1.820	4.500	6.320	2.875	9.760	3.840
3"	E035300	5	13.600	1.740	1.820	4.500	6.320	3.500	9.760	3.840
3 1/2"	E035350	4	15.980	1.660	2.020	5.560	7.580	4.000	11.480	4.500
4"	E035400	4	15.980	1.660	2.020	5.560	7.580	4.500	11.480	4.500

## ACCESS FITTING TYPE E (SELF-TAPPING SCREWS)



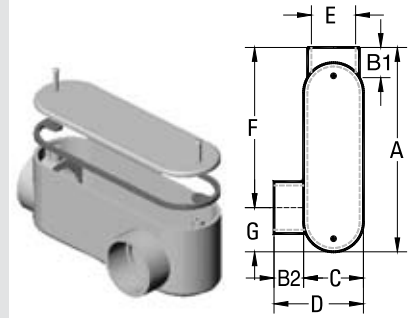
SIZE (IN)	RBP PART NUMBER	CARTON QUANTITY	A (IN)	B (IN)	C (IN)	D (IN)
-----------	-----------------	-----------------	--------	--------	--------	--------

1/2"	E036050	25	4.280	0.520	1.320	0.840
3/4"	E036075	15	5.380	0.740	1.530	1.050
1"	E036100	10	6.240	0.810	1.730	1.315
1 1/4"	E036125	10	7.700	0.990	2.270	1.660
1 1/2"	E036150	10	8.310	0.980	2.600	1.900
2"	E036200	5	10.540	1.040	3.230	2.375
2 1/2"	E036250	5	13.600	1.740	4.500	2.875
3"	E036300	5	13.600	1.740	4.500	3.500
3 1/2"	E036350	4	15.980	1.660	5.560	4.000
4"	E036400	4	15.980	1.660	5.560	4.500

# RIGID PVC CONDUIT FITTINGS

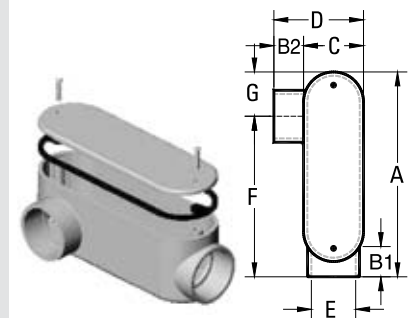
SIZE (IN)	RBP PART NUMBER	CARTON QUANTITY	A (IN)	B1 (IN)	B2 (IN)	C (IN)	D (IN)	E (IN)	F (IN)	G (IN)
1/2"	E534050	25	4.280	0.520	0.660	1.320	1.980	0.840	3.290	0.990
3/4"	E534075	20	5.380	0.740	0.840	1.530	2.370	1.050	4.150	1.230
1"	E534100	15	6.240	0.810	0.900	1.730	2.630	1.315	4.840	1.400
1 1/4"	E534125	10	7.700	0.990	1.100	2.270	3.370	1.660	5.820	1.880
1 1/2"	E534150	10	8.310	0.980	1.120	2.600	3.720	1.900	6.430	1.880
2"	E534200	10	10.540	1.040	1.070	3.230	4.300	2.375	8.160	2.380
2 1/2"	E534250	4	13.600	1.740	1.820	4.500	6.320	2.875	9.760	3.840
3"	E534300	4	13.600	1.740	1.820	4.500	6.320	3.500	9.760	3.840
3 1/2"	E534350	5	15.980	1.660	2.020	5.560	7.580	4.000	11.480	4.500
4"	E534400	5	15.980	1.660	2.020	5.560	7.580	4.500	11.480	4.500

## ACCESS FITTING TYPE LL (BRASS SCREWS AND INSERTS)



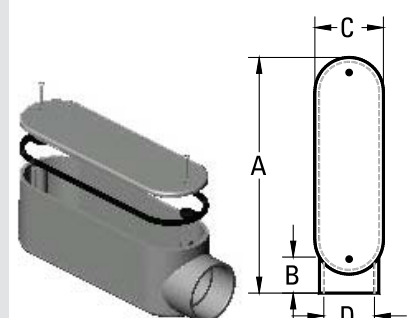
SIZE (IN)	RBP PART NUMBER	CARTON QUANTITY	A (IN)	B1 (IN)	B2 (IN)	C (IN)	D (IN)	E (IN)	F (IN)	G (IN)
1/2"	E535050	25	4.280	0.520	0.660	1.320	1.980	0.840	3.290	0.990
3/4"	E535075	20	5.380	0.740	0.840	1.530	2.370	1.050	4.150	1.230
1"	E535100	15	6.240	0.810	0.900	1.730	2.630	1.315	4.840	1.400
1 1/4"	E535125	10	7.700	0.990	1.100	2.270	3.370	1.660	5.820	1.880
1 1/2"	E535150	10	8.310	0.980	1.120	2.600	3.720	1.900	6.430	1.880
2"	E535200	10	10.540	1.040	1.070	3.230	4.300	2.375	8.160	2.380
2 1/2"	E535250	4	13.600	1.740	1.820	4.500	6.320	2.875	9.760	3.840
3"	E535300	4	13.600	1.740	1.820	4.500	6.320	3.500	9.760	3.840
3 1/2"	E535350	5	15.980	1.660	2.020	5.560	7.580	4.000	11.480	4.500
4"	E535400	5	15.980	1.660	2.020	5.560	7.580	4.500	11.480	4.500

## ACCESS FITTING TYPE LR (BRASS SCREWS AND INSERTS)



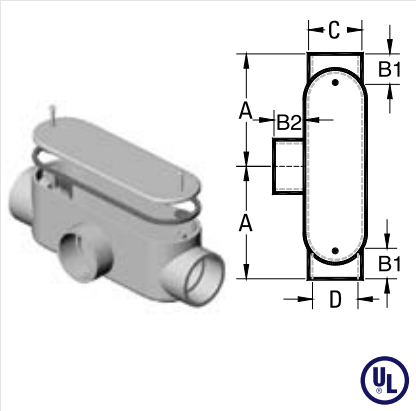
SIZE (IN)	RBP PART NUMBER	CARTON QUANTITY	A (IN)	B (IN)	C (IN)	D (IN)
1/2"	E536050	30	4.280	0.520	1.320	0.840
3/4"	E536075	20	5.380	0.740	1.530	1.050
1"	E536100	15	6.240	0.810	1.730	1.315
1 1/4"	E536125	20	7.700	0.990	2.270	1.660
1 1/2"	E536150	10	8.310	0.980	2.600	1.900
2"	E536200	15	10.540	1.040	3.230	2.375
2 1/2"	E536250	4	13.600	1.740	4.500	2.875
3"	E536300	4	13.600	1.740	4.500	3.500
3 1/2"	E536350	4	15.980	1.660	5.560	4.000
4"	E536400	4	15.980	1.660	5.560	4.500

## ACCESS FITTING TYPE E (BRASS SCREWS AND INSERTS)



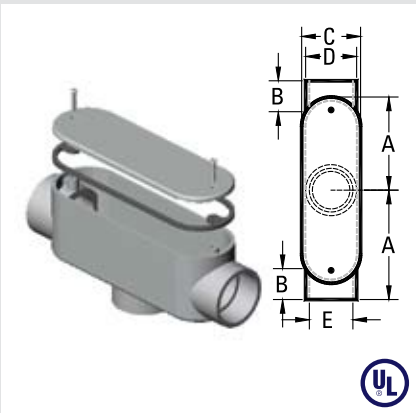
# RIGID PVC CONDUIT FITTINGS

## ACCESS FITTING TYPE T (SELF-TAPPING SCREWS)



SIZE (IN)	RBP PART NUMBER	CARTON QUANTITY	A (IN)	B1 (IN)	B2 (IN)	C (IN)	D (IN)
1/2"	E037050	25	2.270	0.520	0.660	1.320	0.840
3/4"	E037075	15	2.820	0.740	0.840	1.530	1.050
1"	E037100	10	3.260	0.810	0.900	1.730	1.315
1 1/4"	E037125	10	3.970	0.990	1.100	2.270	1.660
1 1/2"	E037150	10	4.290	0.980	1.120	2.600	1.900
2"	E037200	5	5.270	1.040	1.070	3.230	2.375
2 1/2"	E037250	2	7.300	1.740	1.820	4.500	2.875
3"	E037300	2	7.300	1.740	1.820	4.500	3.500
3 1/2"	E037350	1	8.430	1.660	2.020	5.560	4.000
4"	E037400	1	8.430	1.660	2.020	5.560	4.500

## ACCESS FITTING TYPE TB (SELF-TAPPING SCREWS)

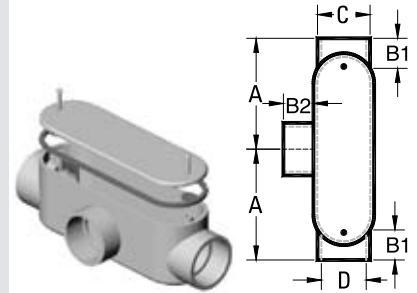


SIZE (IN)	RBP PART NUMBER	CARTON QUANTITY	A (IN)	B (IN)	C (IN)	D (IN)	E (IN)
1/2"	E069050	30	2.270	0.520	1.320	1.052	0.840
3/4"	E069075	20	2.820	0.740	1.530	1.264	1.050
1"	E069100	10	3.260	0.810	1.730	1.540	1.315
1 1/4"	E069125	10	3.970	0.990	2.270	1.927	1.660
1 1/2"	E069150	15	4.290	0.980	2.600	2.168	1.900
2"	E069200	10	5.440	1.040	3.230	2.663	2.375
2 1/2"	E069250	10	7.300	1.740	4.500	3.230	2.875
3"	E069300	4	7.300	1.740	4.500	3.957	3.500
3 1/2"	E069350	4	8.430	1.660	5.560	4.477	4.000
4"	E069400	4	8.430	1.660	5.560	4.999	4.500

# RIGID PVC CONDUIT FITTINGS

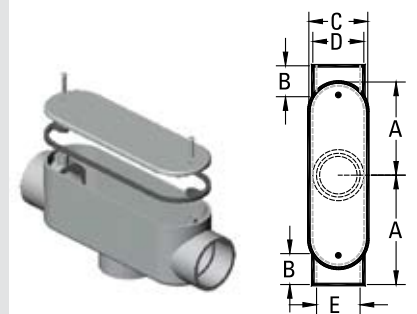
SIZE (IN)	RBP PART NUMBER	CARTON QUANTITY	A (IN)	B1 (IN)	B2 (IN)	C (IN)	D (IN)
1/2"	E537050	30	2.270	0.520	0.660	1.320	0.840
3/4"	E537075	20	2.820	0.740	0.840	1.530	1.050
1"	E537100	25	3.260	0.810	0.900	1.730	1.315
1 1/4"	E537125	15	3.970	0.990	1.100	2.270	1.660
1 1/2"	E537150	10	4.290	0.980	1.120	2.600	1.900
2"	E537200	10	5.270	1.040	1.070	3.230	2.375
2 1/2"	E537250	4	7.300	1.740	1.820	4.500	2.875
3"	E537300	4	7.300	1.740	1.820	4.500	3.500
3 1/2"	E537350	4	8.430	1.660	2.020	5.560	4.000
4"	E537400	4	8.430	1.660	2.020	5.560	4.500

## ACCESS FITTING TYPE T (BRASS SCREWS AND INSERTS)



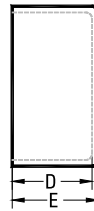
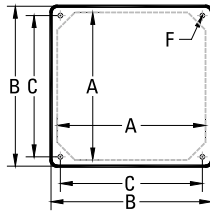
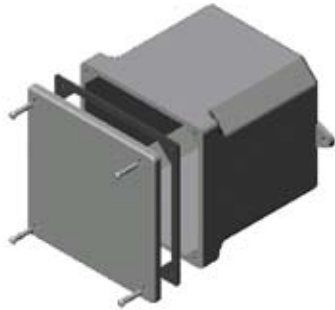
SIZE (IN)	RBP PART NUMBER	CARTON QUANTITY	A (IN)	B (IN)	C (IN)	D (IN)	E (IN)
1/2"	E569050	30	2.270	0.520	1.320	1.052	0.840
3/4"	E569075	20	2.820	0.740	1.530	1.264	1.050
1"	E569100	10	3.260	0.810	1.730	1.540	1.315
1 1/4"	E569125	10	3.970	0.990	2.270	1.927	1.660
1 1/2"	E569150	15	4.290	0.980	2.600	2.168	1.900
2"	E569200	10	5.440	1.040	3.230	2.663	2.375
2 1/2"	E569250	10	7.300	1.740	4.500	3.230	2.875
3"	E569300	4	7.300	1.740	4.500	3.957	3.500
3 1/2"	E569350	4	8.430	1.660	5.560	4.477	4.000
4"	E569400	4	8.430	1.660	5.560	4.999	4.500

## ACCESS FITTING TYPE TB (BRASS SCREWS AND INSERTS)



# RIGID PVC CONDUIT FITTINGS

## JUNCTION BOX WITH GASKET (SELF-TAPPING SCREWS)



\*NEMA RATED

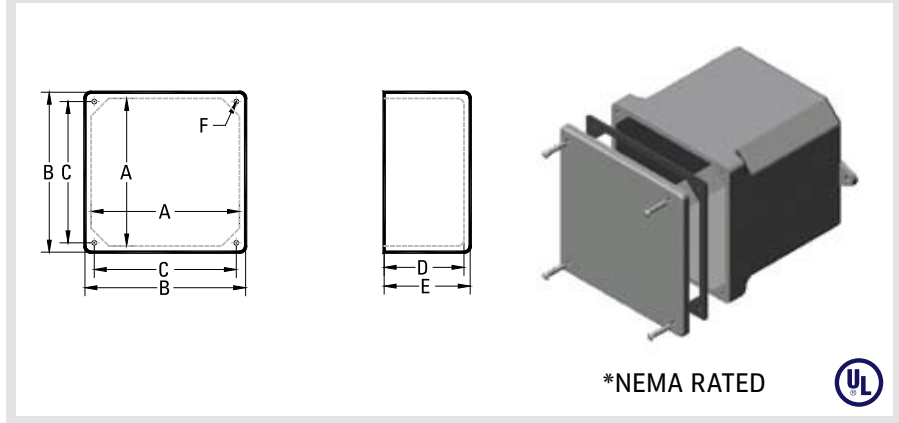


SIZE (IN)	RBP PART NUMBER	CARTON QUANTITY	INSIDE LENGTH & WIDTH (A) (IN)	OUTSIDE LENGTH & WIDTH (B) (IN)	LENGTH SCREW TO SCREW (C) (IN)	OUTSIDE HEIGHT (E) (IN)	INSIDE HEIGHT (D) (IN)	SCREW SIZE (F)	VOLUME (IN <sup>3</sup> )
4 x 4 x 2	E051442	10	3.675	4.000	3.450	2.125	2.000	8-32	25.4
4 x 4 x 4*	E051444	10	3.675	4.000	3.450	4.188	3.750	8-32	47.5
4 x 4 x 6*	E051446	10	3.675	4.000	3.450	6.225	6.000	8-32	76.1
5 x 5 x 2*	E051552	10	4.680	5.000	4.485	2.000	1.845	8-32	38.7
6 x 6 x 4	E051664	10	6.000	6.375	5.813	4.188	4.000	10-32	139.5
6 x 6 x 6	E051666	5	6.000	6.375	5.813	6.188	6.000	10-32	209.3
8 x 8 x 4	E051884	5	8.075	8.625	7.996	4.230	4.005	1/4-20	258.6
8 x 8 x 7	E051887	4	8.100	8.625	7.996	7.250	7.035	1/4-20	455.6
12 x 12 x 4	E05112124	2	12.085	12.580	11.874	4.256	4.030	1/4-20	578.3
12 x 12 x 6	E05112126	2	12.085	12.580	11.874	6.240	6.025	1/4-20	864.6
12 x 12 x 8*	E05112128	3	12.085	12.580	11.874	8.250	8.025	1/4-20	1,151.6



# RIGID PVC CONDUIT FITTINGS

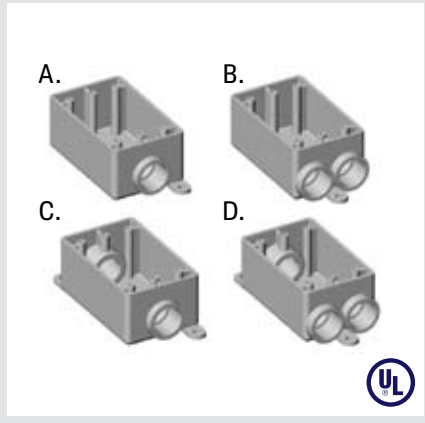
## JUNCTION BOX WITH GASKET (BRASS SCREWS AND INSERTS)



SIZE (IN)	RBP PART NUMBER	CARTON QUANTITY	INSIDE LENGTH & WIDTH (A) (IN)	OUTSIDE LENGTH & WIDTH (B) (IN)	LENGTH TO SCREW (C) (IN)	OUTSIDE HEIGHT (E) (IN)	INSIDE HEIGHT (D) (IN)	SCREW SIZE (F)	VOLUME (IN <sup>3</sup> )
4 x 4 x 2	E551442	15	3.675	4.000	3.450	2.125	2.000	8-32	25.4
4 x 4 x 4*	E551444	10	3.675	4.000	3.450	4.188	3.750	8-32	47.5
4 x 4 x 6*	E551446	8	3.675	4.000	3.450	6.225	6.000	8-32	76.1
5 x 5 x 2*	E551552	12	4.680	5.000	4.485	2.000	1.845	8-32	38.7
6 x 6 x 4	E551664	15	6.000	6.375	5.813	4.188	4.000	10-32	139.5
6 x 6 x 6	E551666	4	6.000	6.375	5.813	6.188	6.000	10-32	209.3
8 x 8 x 4	E551884	4	8.075	8.625	7.996	4.230	4.005	1/4-20	258.6
8 x 8 x 7	E551887	4	8.100	8.625	7.996	7.250	7.035	1/4-20	455.6
12 x 12 x 4	E55112124	2	12.085	12.580	11.874	4.256	4.030	1/4-20	578.3
12 x 12 x 6	E55112126	4	12.085	12.580	11.874	6.240	6.025	1/4-20	864.6
12 x 12 x 8*	E55112128	3	12.085	12.580	11.874	8.250	8.025	1/4-20	1,151.6

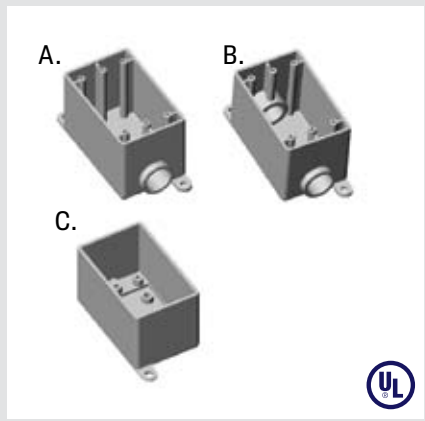
# RIGID PVC CONDUIT FITTINGS

## SINGLE GANG BOX F SERIES (SELF-TAPPING SCREWS)



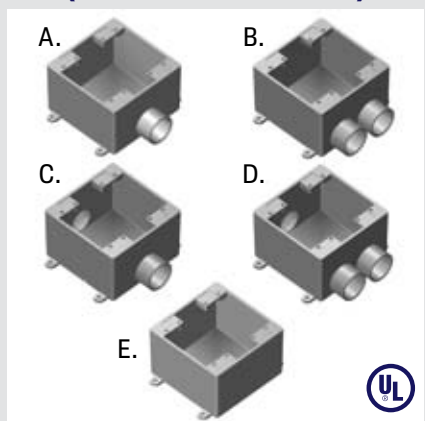
SIZE	RBP PART NUMBER	CARTON QUANTITY	VOLUME (IN <sup>3</sup> )
A. 1/2" FS	E042001	10	17.0
A. 3/4" FS	E042002	10	17.0
B. 1/2" FSS	E042003	10	17.5
B. 3/4" FSS	E042004	10	17.5
C. 1/2" FSC	E042005	10	16.3
C. 3/4" FSC	E042006	10	16.3
D. 1/2" FSCC	E042007	10	17.0
D. 3/4" FSCC	E042008	10	17.0

## SINGLE GANG DEEP BOX FD SERIES (SELF-TAPPING SCREWS)



SIZE	RBP PART NUMBER	CARTON QUANTITY	VOLUME (IN <sup>3</sup> )
A. 1/2" FDS	E043001	10	26.8
A. 3/4" FDS	E043002	10	26.8
A. 1" FDS	E043003	10	26.8
B. 1/2" FDC	E043004	10	24.0
B. 3/4" FDC	E043005	10	24.0
B. 1" FDC	E043006	10	24.0
C. BLANK	E043007	10	29.0

## DOUBLE GANG BOX F SERIES (SELF-TAPPING SCREWS)

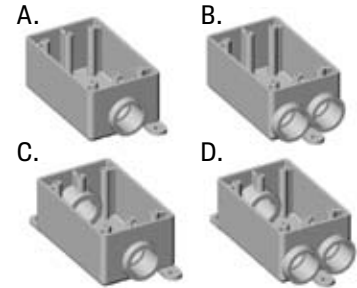


SIZE	RBP PART NUMBER	CARTON QUANTITY	VOLUME (IN <sup>3</sup> )
A. 1/2" FS	E041001	10	39.5
A. 3/4" FS	E041002	10	39.5
A. 1" FS	E041003	10	39.5
B. 1/2" FSS	E041004	10	37.0
B. 3/4" FSS	E041005	10	37.0
B. 1" FSS	E041006	10	37.0
C. 1/2" FSC	E041007	10	37.0
C. 3/4" FSC	E041008	10	37.0
C. 1" FSC	E041009	10	37.0
D. 1/2" FSCC	E041011	10	36.0
D. 3/4" FSCC	E041012	10	36.0
D. 1" FSCC	E041013	10	36.0
E. BLANK	E041010	10	52.0

# RIGID PVC CONDUIT FITTINGS

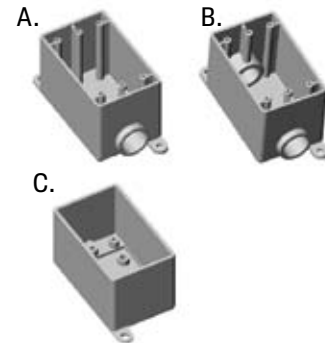
SIZE	RBP PART NUMBER	CARTON QUANTITY	VOLUME (IN <sup>3</sup> )
A. 1/2" FS	E542001	10	17.0
A. 3/4" FS	E542002	10	17.0
B. 1/2" FSS	E542003	10	17.5
B. 3/4" FSS	E542004	10	17.5
C. 1/2" FSC	E542005	10	16.3
C. 3/4" FSC	E542006	10	16.3
D. 1/2" FSCC	E542007	10	17.0
D. 3/4" FSCC	E542008	10	17.0

## SINGLE GANG BOX F SERIES (BRASS INSERTS)



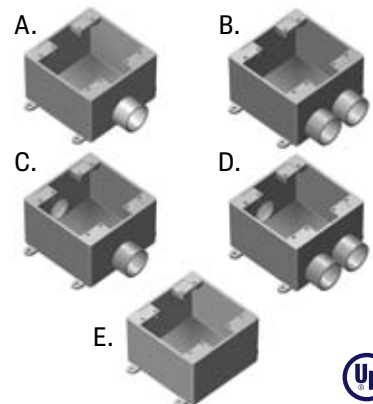
SIZE	RBP PART NUMBER	CARTON QUANTITY	VOLUME (IN <sup>3</sup> )
A. 1/2" FDS	E543001	10	26.8
A. 3/4" FDS	E543002	10	26.8
A. 1" FDS	E543003	10	26.8
B. 1/2" FDC	E543004	10	24.0
B. 3/4" FDC	E543005	10	24.0
B. 1" FDC	E543006	10	24.0
C. BLANK	E543007	10	29.0

## SINGLE GANG DEEP BOX FD SERIES (BRASS INSERTS)



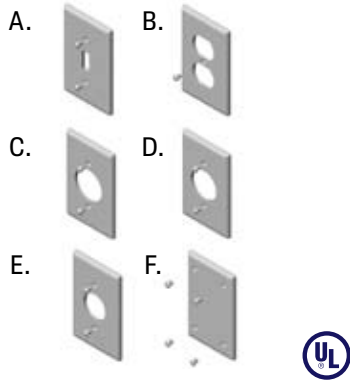
SIZE	RBP PART NUMBER	CARTON QUANTITY	VOLUME (IN <sup>3</sup> )
A. 1/2" FS	E541001	10	39.5
A. 3/4" FS	E541002	10	39.5
A. 1" FS	E541003	10	39.5
B. 1/2" FSS	E541004	10	37.0
B. 3/4" FSS	E541005	10	37.0
B. 1" FSS	E541006	10	37.0
C. 1/2" FSC	E541007	10	37.0
C. 3/4" FSC	E541008	10	37.0
C. 1" FSC	E541009	10	37.0
D. 1/2" FSCC	E541011	10	36.0
D. 3/4" FSCC	E541012	10	36.0
D. 1" FSCC	E541013	10	36.0
E. BLANK	E541010	10	52.0

## DOUBLE GANG BOX F SERIES (BRASS INSERTS)



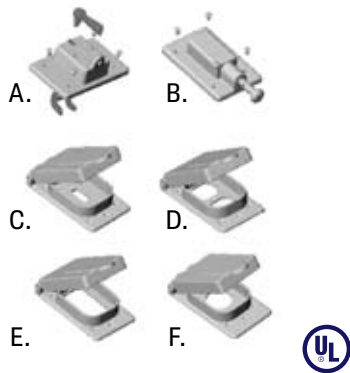
# RIGID PVC CONDUIT FITTINGS

## SINGLE GANG COVER PLATE F SERIES (SELF-TAPPING SCREWS)



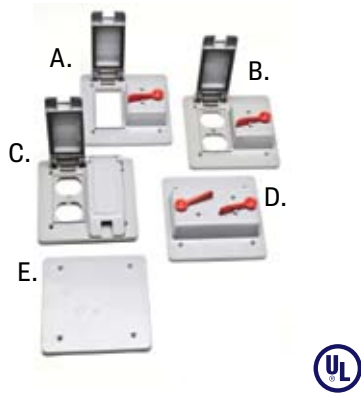
DESCRIPTION	RBP PART NUMBER	CARTON QUANTITY
A. Toggle	E046002	100
B. Duplex	E046001	100
C. Single 15 amp	E046004	100
D. Single 20 amp	E046003	100
E. Single 30 amp	E046005	100
F. Blank w/ gasket	E046006	50

## SINGLE GANG WEATHERPROOF COVER PLATE (SELF-TAPPING SCREWS)



DESCRIPTION	RBP PART NUMBER	CARTON QUANTITY
A. Toggle w/cover	E047002	10
B. Plunger w/cover	E047008	10
C. Toggle	E047009	10
D. Duplex	E047001	10
D. Duplex White	E047010	20
E. Ground Fault	E047007	10
E. G.F. White	E047011	20
F. 15 AMP	E047003	10
F. 20 AMP	E047004	10
F. 30 AMP	E047005	10
F. 50 AMP	E047006	10

## DOUBLE GANG WEATHERPROOF COVER PLATE (SELF-TAPPING SCREWS)

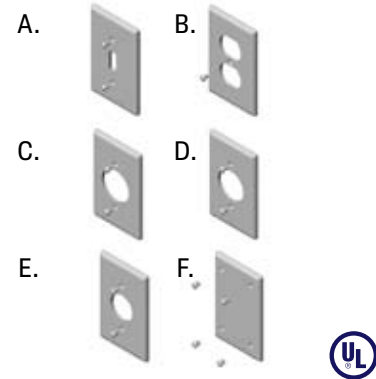


DESCRIPTION	RBP PART NUMBER	CARTON QUANTITY
A. GFI & Toggle	E049005	10
B. Duplex & Toggle	E049006	10
C. Double Duplex	E049007	10
D. Double Toggle	E049008	10
E. Blank	E049009	25

# RIGID PVC CONDUIT FITTINGS

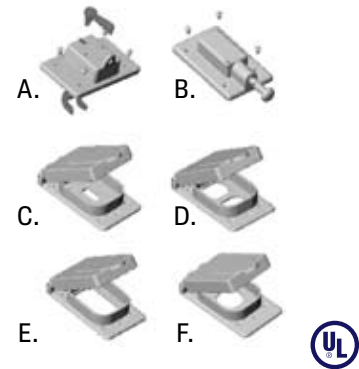
DESCRIPTION	RBP PART NUMBER	CARTON QUANTITY
A. Toggle	E546002	100
B. Duplex	E546001	100
C. Single 15 amp	E546004	100
D. Single 20 amp	E546003	100
E. Single 30 amp	E546005	100
F. Blank w/ gasket	E546006	100

## SINGLE GANG COVER PLATE F SERIES (BRASS SCREWS)



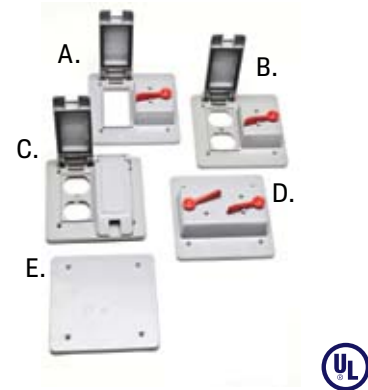
DESCRIPTION	RBP PART NUMBER	CARTON QUANTITY
A. Toggle w/cover	E547002	20
B. Plunger w/cover	E547008	20
C. Toggle	E547009	20
E. Duplex	E547001	20
D. Duplex White	E547010	20
E. Ground Fault	E547007	20
E. G.F. White	E547011	20
F. 15 AMP	E547003	20
F. 20 AMP	E547004	20
F. 30 AMP	E547005	20
F. 50 AMP	E547006	20

## SINGLE GANG WEATHERPROOF COVER PLATE (BRASS SCREWS)



DESCRIPTION	RBP PART NUMBER	CARTON QUANTITY
A. GFI & Toggle	E549005	10
B. Duplex & Toggle	E549006	10
C. Double Duplex	E549007	10
D. Double Toggle	E549008	10
E. Blank	E549009	25

## DOUBLE GANG WEATHERPROOF COVER PLATE (BRASS SCREWS)



# RIGID PVC CONDUIT FITTINGS

## JUNCTION BOX ADAPTER



SIZE (IN)	RBP PART NUMBER	CARTON QUANTITY
1/2"	E059050	100
3/4"	E059075	100
1"	E059100	100
1 1/4"	E059125	50
1 1/2"	E059150	50
2"	E059200	25
2 1/2"	E059250	10
3"	E059300	10
3 1/2"	E059350	10
4"	E059400	10

## OCTAGONAL BOX



SIZE (IN)	RBP PART NUMBER	CARTON QUANTITY
4" x 1 1/2"	E028150	20
4" x 2"	E028200	12

## OCTAGONAL BOX EXTENSION RING



SIZE (IN)	RBP PART NUMBER	CARTON QUANTITY
1"	E029100	20
2"	E029200	20



# RIGID PVC CONDUIT FITTINGS

DESCRIPTION	RBP PART NUMBER	CARTON QUANTITY	SIZE (IN)
A. Electrical Mount	10000	10	7 1/2" x 7 1/2"
B. Standard	13000	10	7 1/2" x 7 3/4"
C. Flush	17000	10	7" x 7"
D. Large Coach	41000	10	7 5/8" x 12"
E. Meterbase	42000	1	14 1/2" x 19"
F. Mini Mount	43000	10	6" x 4 1/2"
G. Recessed Mini	44000	10	5 1/2" x 7 3/8"

Supplied in white Polyethylene

A. UL Listed

See individual product photos on page 8



SIZE (IN)	RBP PART NUMBER	CARTON QUANTITY
3/4" (4)	E068004	9
1" (2) 3/4" (2)	E068001	9

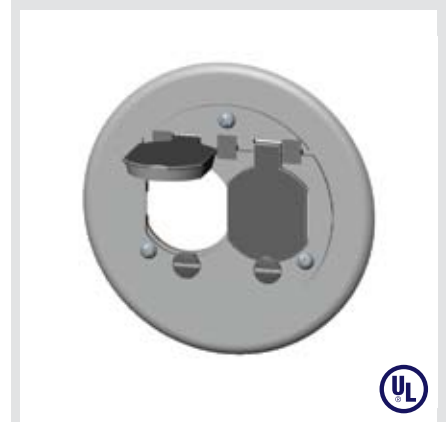
## DUPLEX FLOOR BOX / LEVEL RING / POUR COVER / REDUCER BUSHING



39

DESCRIPTION	RBP PART NUMBER	CARTON QUANTITY
Poly Bronze Cover	E068003	10

## DUPLEX FLOOR BOX COVER



# RIGID PVC CONDUIT FITTINGS

## STRAIN RELIEF CONNECTOR



SIZE (IN)	RBP PART NUMBER	CARTON QUANTITY
3/4"	E030075	25

## THREADED STRAIN RELIEF CONNECTOR



SIZE (IN)	RBP PART NUMBER	CARTON QUANTITY
1/2"	E031050	25
3/4"	E031075	25

40

## PULL ELBOW



SIZE (IN)	RBP PART NUMBER	CARTON QUANTITY
1/2"	E027050	75
3/4"	E027075	50

## SOLVENT WELD END CAP



SIZE (IN)	RBP PART NUMBER	CARTON QUANTITY
1/2"	E026050	100
3/4"	E026075	100
1"	E026100	50
1 1/4"	E026125	25
1 1/2"	E026150	25
2"	E026200	50
2 1/2"	E026250	25
3"	E026300	25
3 1/2"	E026350	20
4"	E026400	25
5"	E026500	25
6"	E026600	10
8"	E026800	6

## RIGID PVC CONDUIT FITTINGS

SIZE (IN)	RBP PART NUMBER	CARTON QUANTITY
3/4" x 1/2"	E0150705	200
1" x 1/2"	E0151005	200
1" x 3/4"	E0151007	200

### THREADED REDUCER BUSHING



SIZE (IN)	RBP PART NUMBER	CARTON QUANTITY
1/2"	E070050	100
3/4"	E070075	100
1"	E070100	50
1 1/4"	E070125	50
1 1/2"	E070150	50
2"	E070200	40
2 1/2"	E070250	30
3"	E070300	50
3 1/2"	E070350	50
4"	E070400	50
5"	E070500	25
6"	E070600	15

### BELL END (HUB X SPIGOT) MOLDED



41

SIZE (IN)	RBP PART NUMBER	CARTON QUANTITY
3/4" x 1/2" *	E0140705	100
1" x 1/2"	E0141005	3 x 100
1" x 3/4" *	E0141007	100
1 1/4" x 3/4"	E0141207	2 x 25
1 1/4" x 1"	E0141210	50
1 1/2" x 1"	E0141510	50
1 1/2" x 1 1/4"	E0141512	50
2" x 1"	E0142010	50
2" x 1 1/4"	E0142012	25
2" x 1 1/2" *	E0142015	25
2 1/2" x 2"	E0142520	25
3" x 2"	E0143020	25
3" x 2 1/2"	E0143025	25
4" x 2"	E0144020	15
4" x 3"	E0144030	20
4" x 3 1/2"	E0144035	20

### REDUCER BUSHING



\* UL Listed

## RIGID PVC CONDUIT FITTINGS

### DUCT INTERMEDIATE VERTICAL LOCK SPACER



SIZE (IN)	RBP PART NUMBER	CARTON QUANTITY
2" x 1 1/2"	IS2015	350
2" x 2"	IS2020	300
2" x 3"	IS2030	200
3" x 1 1/2"	IS3015	225
3" x 2"	IS3020	200
3" x 3"	IS3030	125
4" x 1"	IS4010	200
4" x 1 1/2"	IS4015	150
4" x 2"	IS4020	125
4" x 3"	IS4030	90
5" x 1 1/2"	IS5015	100
5" x 2"	IS5020	100
5" x 3"	IS5030	80
6" x 1 1/2"	IS6015	100
6" x 2"	IS6020	90
6" x 3"	IS6030	70
8" x 1 1/2"	IS8015	60
8" x 2"	IS8020	60

42

### DUCT BASE VERTICAL LOCK SPACER



SIZE (IN)	RBP PART NUMBER	CARTON QUANTITY
2" x 1 1/2"	BS2015	250
2" x 2"	BS2020	225
2" x 3"	BS2030	225
3" x 1 1/2"	BS3015	175
3" x 2"	BS3020	155
3" x 3"	BS3030	150
4" x 1"	BS4010	175
4" x 1 1/2"	BS4015	140
4" x 2"	BS4020	140
4" x 3"	BS4030	120
5" x 1 1/2"	BS5015	120
5" x 2"	BS5020	120
5" x 3"	BS5030	100
6" x 1 1/2"	BS6015	100
6" x 2"	BS6020	100
6" x 3"	BS6030	95
8" x 1 1/2"	BS8015	50
8" x 2"	BS8020	50

# RIGID PVC CONDUIT FITTINGS

SIZE (IN)	RBP PART NUMBER	CARTON QUANTITY
2"	E091200	70
3"	E091300	45
4"	E091400	80
5"	E091500	45
6"	E091600	35

## UNIVERSAL PLUG W/ PULLING EYE



SIZE	RBP PART NUMBER	CARTON QUANTITY
PINT	33942	12
QUART	33943	12
GALLON	33941	6

## COLD PRO PVC CEMENT



### APPLICATIONS:

For PVC pipe and fittings conduit and duct installation in low temperature conditions. Pipe size diameters thru 6" for all schedules and classes. Schedule 80 thru 4".

- High performance solvent cement specifically designed for low temperature conditions
- Formulated for quick initial set up in cold weather
- Recommended application temperature -15°F to 110°F.
- Clear
- Low VOC
- Meets or exceeds ASTM D2564 specifications

SIZE	RBP PART NUMBER	CARTON QUANTITY
1/2 PINT	34365	24
PINT	34366	12
QUART	34367	12
GALLON	34373	6

## ELECTRICAL CONDUIT PVC CEMENT



### APPLICATIONS:

For PVC pipe and fittings conduit and duct installation. Pipe size diameters thru 6" for all schedules and classes including Schedule 80.

- High performance premium solvent cement delivers a strong bond between PVC pipe and fittings
- Clear
- Low VOC
- Meets or exceeds ASTM D2564 specifications

# RIGID PVC SCHEDULE 40 CONDUIT

## APPLICATIONS

- Power Utilities
- Cable, data and communication lines
- Institutional, commercial, industrial buildings
- Residential buildings, service entrances
- Street and highway underground feeds
- Transportation systems - subways, bridges, tunnels, airports
- Water and wastewater treatment plants
- Marinas
- Mines, mills



For usage in both below and above ground systems for residential, industrial, commercial and institutional applications

**A rigid, non-metallic line of conduit designed to integrate with our rigid PVC conduit fittings.**

44

## FEATURES

Royal Building Products Electrical Solutions manufactures a complete line of Rigid PVC Conduit pipe and fittings for electrical applications. Our products are designed to reduce labor and maintenance costs, while offering superior performance.

Products are certified by the Canadian Standards Association (CSA) and Underwriters Laboratories (UL) for use in above and below ground applications and meet NEMA TC-2.

Royal's Schedule 40 Rigid PVC conduit pipe is available in 1/2- to 6-inch diameters and 10- or 20-foot lengths.

## DESIGN ADVANTAGES

### Saves Labor

Rigid PVC Conduit pipe is easy to install, cut and join. No special tools are required. It can easily be cut with a hacksaw or PVC conduit cutters.

### Easy Wire Pulls

The conduit's smooth interior surface reduces friction and prevents damage to wires when pulling wire and conductors for long runs, and even through 90° bends. To make wire pulling easier, use a large pull-rope and wire-pulling lubricant.

### Simplifies Direct Burial

Royal Electrical Solutions Rigid PVC Conduit does not require additional protection for direct burial installations according to the National Electrical Code (NEC). Normal construction practices should be followed for trenching and backfill operations.



# RIGID PVC SCHEDULE 40 CONDUIT

## Non-Conductive

Our Rigid PVC Conduit is non-sparking and non-conductive. It eliminates the second point of contact and phase to ground faults. For a complete positive ground for the whole system, use a separate grounding conductor.

## Long Life

Royal Rigid PVC Conduit and fittings resist acids, alkalis, salt solutions and most other chemicals. (Refer to the Royal Chemical Resistance Guide for detailed information.) There is no risk of corrosion when exposed to naturally corrosive soil conditions, or electrochemical or galvanic environments. They are also resistant to direct sunlight, heat and all weather conditions, even after years of exposure; as well as macro and microorganism, fungi and rodents.

## FT-4 Vertical Flame Test

The FT-4 Rating means our Rigid PVC Conduit pipe and fittings can be used in non-combustible construction as per part 3 of the National Building Code of Canada (NBC).

## SPECIFICATIONS

All wiring shall be installed in Royal Electrical Solutions Rigid PVC Conduit and secured with proper fittings. All conduit and fittings shall be manufactured by Royal Building Products, Pipe & Fittings Solutions. All outlets, pull boxes and junction points shall be Royal products.

Exposed conduit shall be securely attached and supported with straps that are installed at the recommended spacing specified in the Canadian Electrical Code (CEC) Section 12-1114. The straps must allow for linear expansion and contraction of the conduit due to temperature change. If the variance in temperature exceeds 25°F, expansion joints shall be installed according to the manufacturer's recommendations.

If Rigid PVC Conduit is embedded in concrete or direct buried, support straps are not required.

## CERTIFICATIONS

Royal Electrical Solutions Rigid PVC Conduit Pipe is certified to CSA Standard C22.2 No. 211.2, UL 651 and conforms to NEMA TC-2. Our Rigid PVC Conduit shall be installed according to the National Electrical Code (NEC) Article 352.

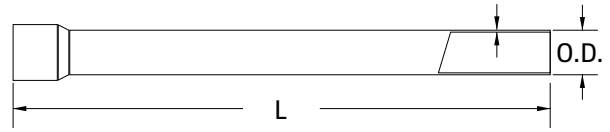


# RIGID PVC SCHEDULE 40 CONDUIT

## LIGHTWEIGHT MATERIALS

Rigid PVC Conduit is easier to move and handle because it is one-fifth the weight of steel and half the weight of aluminum. See chart below.

RIGID PVC SCHEDULE 40 CONDUIT



APPROXIMATE WEIGHT COMPARISON

SIZE (IN)	PVC (LB/100FT)	ALUMINUM (LB/100FT)	STEEL (LB/100FT)
1/2"	16.1	27	79
3/4"	21.5	37	105
1"	31.9	53	153
1 1/4"	43.8	70	201
1 1/2"	52.3	86	249
2"	70.3	116	334
2 1/2"	112.0	183	527
3"	146.7	239	690
3 1/2"	176.4	288	831
4"	208.9	340	982
5"	283.4	465	1,344
6"	368.0	613	1,771

DIMENSIONS

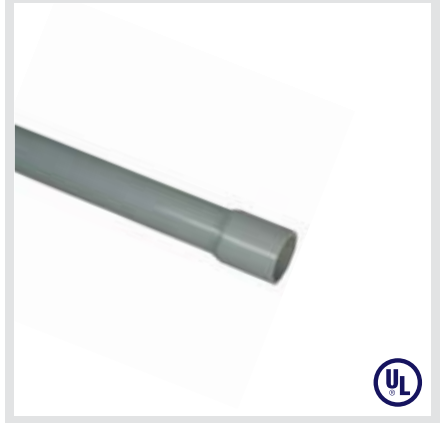
NOMINAL SIZE (IN)	AVG. OUTSIDE DIAMETER (IN)	AVG. INSIDE DIAMETER (IN)	MIN. WALL THICKNESS (IN)	MIN. BELL DEPTH (IN)
1/2"	0.840	0.608	0.109	2.000
3/4"	1.050	0.810	0.113	2.250
1"	1.315	1.033	0.133	2.500
1 1/4"	1.660	1.362	0.140	2.750
1 1/2"	1.900	1.592	0.145	3.000
2"	2.375	2.049	0.154	4.000
2 1/2"	2.875	2.445	0.203	4.000
3"	3.500	3.042	0.216	4.000
3 1/2"	4.000	3.520	0.226	4.000
4"	4.500	3.998	0.237	4.000
5"	5.565	5.017	0.258	5.500
6"	6.625	6.031	0.280	6.500



# RIGID PVC SCHEDULE 40 CONDUIT

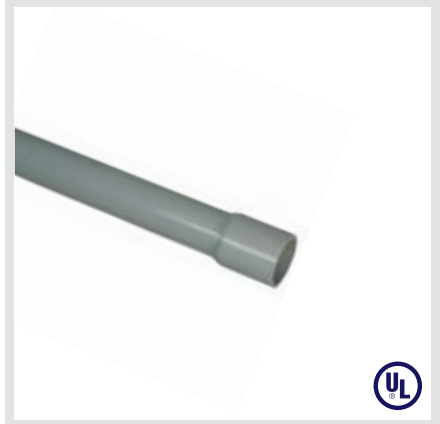
NOMINAL PIPE SIZE (IN)	RBP PART NUMBER	DESCRIPTION	UPC	APPROX. WEIGHT (LB/100FT)
1/2"	RC4000510	RIGID COND .5IN X 10FT GY	772555155008	16.1
3/4"	RC4000710	RIGID COND .75IN X 10FT GY	772555155206	21.5
1"	RC4001010	RIGID COND 1IN X 10FT GY	772555155404	31.9
1-1/4"	RC4001210	RIGID COND 1.25IN X 10FT GY	772555155602	43.8
1-1/2"	RC4001510	RIGID COND 1.5IN X 10FT GY	772555155800	52.3
2"	RC4002010	RIGID COND 2IN X 10FT GY	772555156005	70.3
2-1/2"	RC4002510	RIGID COND 2.5IN X 10FT GY	772555156203	112.0
3"	RC4003010	RIGID COND 3IN X 10FT GY	772555156401	146.7
3-1/2"	RC4003510	RIGID COND 3.5IN X 10FT GY	772555156609	176.4
4"	RC4004010	RIGID COND 4IN X 10FT GY	772555156708	208.9
5"	RC4005010	RIGID COND 5IN X 10FT GY	772555156906	283.4
6"	RC4006010	RIGID COND 6IN X 10FT GY	772555157101	368.0

SCH 40 RIGID CONDUIT  
10 FOOT GRAY



NOMINAL PIPE SIZE (IN)	RBP PART NUMBER	DESCRIPTION	UPC	APPROX. WEIGHT (LB/100FT)
1/2"	RC4000520	RIGID COND .5IN X 20FT GY	772555155107	16.1
3/4"	RC4000720	RIGID COND .75IN X 20FT GY	772555155305	21.5
1"	RC4001020	RIGID COND 1IN X 20FT GY	772555155503	31.9
1-1/4"	RC4001220	RIGID COND 1.25IN X 20FT GY	772555155701	43.8
1-1/2"	RC4001520	RIGID COND 1.5IN X 20FT GY	772555155909	52.3
2"	RC4002020	RIGID COND 2IN X 20FT GY	772555156104	70.3
2-1/2"	RC4002520	RIGID COND 2.5IN X 20FT GY	772555156302	112.0
3"	RC4003020	RIGID COND 3IN X 20FT GY	772555156500	146.7
3-1/2"	RC4003520	RIGID COND 3.5IN X 20FT GY	772555156654	176.4
4"	RC4004020	RIGID COND 4IN X 20FT GY	772555156807	208.9
5"	RC4005020	RIGID COND 5IN X 20FT GY	772555157002	283.4
6"	RC4006020	RIGID COND 6IN X 20FT GY	772555157156	368.0

SCH 40 RIGID CONDUIT  
20 FOOT GRAY



# ELECTRICAL NONMETALLIC TUBING, FITTINGS AND ACCESSORIES

## APPLICATIONS

- Residential dwellings
- Commercial buildings
- Industrial buildings
- Fire alarm systems
- Recreational vehicles
- Marinas and boatyards
- Institutions
- Solar voltaic systems

**An integrated system of electrical Non-Metallic tubing and components designed to improve efficiency and lower lifecycle cost.**

48

## FEATURES

Royal Building Products manufactures an extensive corrugated flexible conduit system that is used for electrical raceways. The line of ENT tubing, fittings and components is made from high quality, durable PVC and is available in ½" to 2" diameters. Royal's system includes snap-in couplings, connectors and adapters that make assembly fast and reliable, reducing labor cost.

ENT tubing is pliable, and easy to cut with no special tools required. The result is no sharp edges.

Royal's ENT system weighs approximately 50% less than metal systems; lightweight for easy handling, storage and transportation.

## CONSTRUCTION

Components are designed to provide a secure fit. No solvent cement required to achieve a concrete-tight connection. Three click insertion and four prong locking mechanism ensures joint integrity.



For use in walls, floors, non-plenum ceilings and other general purpose applications.

## PERFORMANCE

The system is slurry-tight and gives wiring superior protection. It is easy to pull cables and wires through the Royal's ENT corrugated tubing.

## CORROSION PROOF

Resistant to most chemicals, PVC is typically not affected by corrosive soils or salts. ENT will not rust or corrode from electrochemical and galvanic environments and requires no maintenance.

## IMPACT RESISTANT

Tough, durable, high tensile strength PVC is crush-resistant and strong enough for the harshest jobsite environments.

## COMPLETE PRODUCT LINE:

- ENT Tubing in reels, coils or 10' straight lengths
- ENT Slab Boxes in various configurations
- ENT Couplings
- ENT Terminal Adapters
- ENT Connectors
- ENT to EMT Adapters
- Stubbies for Transitions



# ELECTRICAL NONMETALLIC TUBING, FITTINGS AND ACCESSORIES

## SPECIFICATIONS

Royal ENT is designed to replace EMT, flexible conduit or other raceway or cable systems for installation in accordance with Article 362 of the National Electrical Code, and other applicable sections of the Code and local codes. Royal ENT product shall meet the requirements of UL Standard 1653 and shall be listed by UL as suitable for its intended purpose.

Royal Electrical Solutions fittings and outlet boxes shall be designed for use with ENT and listed by UL.

Royal Building Products Electrical Solutions ENT products shall be installed as a complete system in accordance with NEC Article 300.18 and shall be securely fastened in place at intervals not exceeding 3 ft. of each outlet box, device box, junction box, cabinet or fitting where it terminates.

## STORAGE AND HANDLING

- Storage -4°F to 158°F
- Handling -4°F and 105°F
- Not to be stored outdoors

## CODES AND STANDARD COMPLIANCE

Royal Building Products' complete line of electrical non-metallic (ENT) tubing and fittings are certified to UL 1653. Royal ENT has achieved the designation of FT-4 Rating in accordance to the Vertical Char Test in UL 1653. Royal ENT is rated for a maximum of 90°C (194°F) wire.

Royal's ENT system is approved for use in wood stud, masonry and metal stud walls, in locations subject to severe corrosive influences covered in NEC Article 300.6 and where subject to chemicals for which the materials are specifically approved, in concealed, dry, and damp locations not prohibited by NEC Article 362.12, above suspended ceilings where the suspended ceilings provide a thermal barrier of material that has at least a 15-minute finish rating as identified in listings of fire-rated assemblies except as permitted in NEC Article 362.10, encased in poured concrete, embedded in a concrete slab on grade, and for wet locations indoors, NEC Article 362.

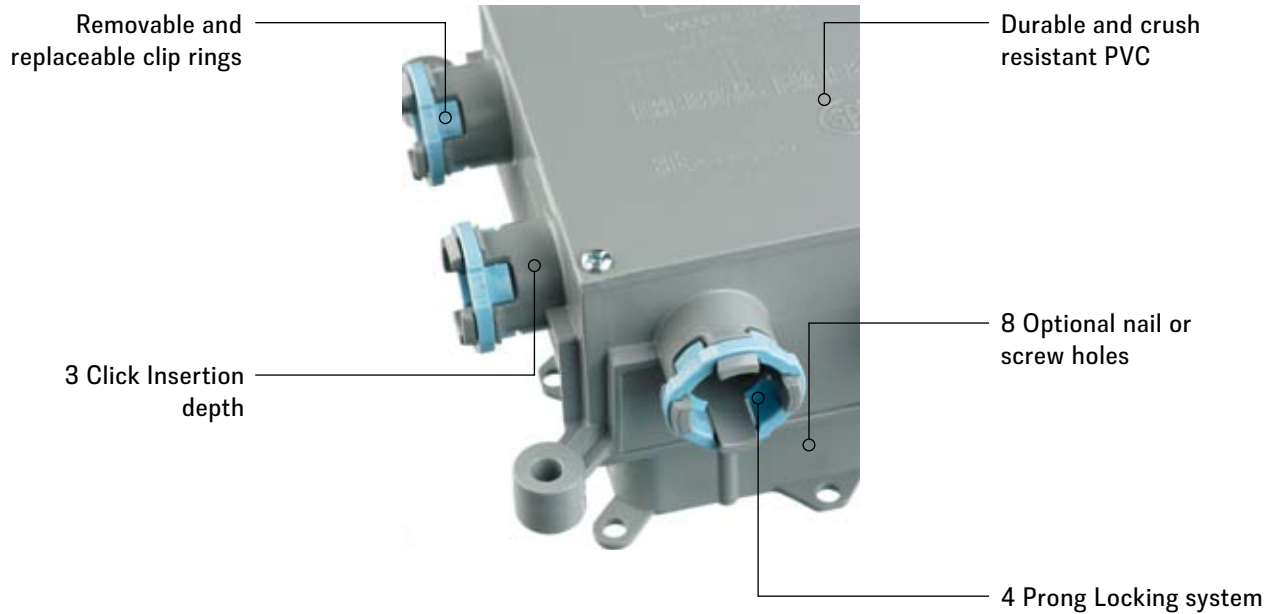
There shall not be more than the equivalent of four quarter bends (360° total) between pull points, for example, slab boxes in electrical non-metallic tubing.

Royal Building Products ENT is not to be in an outside application of any kind as the product is not sunlight resistant.



# ELECTRICAL NONMETALLIC TUBING, FITTINGS AND ACCESSORIES

## DESIGN ADVANTAGES OF THE ROYAL ENT SYSTEM



50



- Three clicks from the tubing during insertion assures the assembly joint is concrete-tight
- Four prong locking system is double the number of tabs in other systems and provides greater assembly joint strength
- Replaceable locking rings are easily removed by cutting without damaging the box or fittings
- EMT to PVC quick adapters easily connect old to new conduit routings and assemblies
- Single and double gang box extensions for wall locations provide greater flexibility

# ELECTRICAL NONMETALLIC TUBING, FITTINGS AND ACCESSORIES



## ENT INSTALLATION

1. Consult local codes to ensure ENT use is code approved for installation.
2. Cut electrical nonmetallic tubing square and cleanly. Appropriate cutting tools include hacksaws and ENT cutters.
3. All cut ends should be trimmed inside and outside to remove rough edges before assembly.
4. Bend or flex tubing by hand to position. Avoid damaging the tubing with tools or other equipment.
5. Insert tubing end into fitting, making sure three full corrugations are snapped into fitting beyond flexible tabs. There should be three clicks when properly joined. No solvent cementing is required.
6. Keep ENT straight. Small deflections over a long run may accumulate significant degrees of bend which will affect conductor installation.
7. Securely fasten ENT tubing at intervals not exceeding 3 feet to prevent flotation. Suitable materials for fastening tubing include wire, tie wraps and tape.
8. No special training required.



## ENT TO CONDUIT INSTALLATION

1. Use a cement marked for use with ENT.
2. Do not use a primer or cleaner before making the assembly.
3. Brush on only; do not use a dauber.
4. Apply a light coat around the tubing, not lengthwise. Do not fill corrugations.
5. Brush out and remove excess cement from corrugations.



## ENT FITTINGS & TUBING

### COILS BLUE ENT TUBING



SIZE (IN)	RBP PART NUMBER	FEET
1/2"	EC005200BL	200
3/4"	EC007100BL	100
1"	EC010100BL	100
1 1/4"	EC012350BL	350
1 1/2"	EC015300BL	300

### REELS BLUE ENT TUBING



SIZE (IN)	RBP PART NUMBER	FEET
1/2"	ER0051500BL	1,500
3/4"	ER0071000BL	1,000
1"	ER0101000BL	1,000
1 1/4"	ER0121000BL	1,000
1 1/2"	ER015750BL	750
2"	ER020500BL	500

### STRAIGHT LENGTH BLUE ENT TUBING



SIZE (IN)	RBP PART NUMBER	FEET
1/2"	ES00510BL	100
3/4"	ES00710BL	100
1"	ES01010BL	100

Supplied in 10 foot lengths

SIZE (IN)	RBP PART NUMBER	FEET
1/2"	EC005370	370
3/4"	EC007240	240
1"	EC010160	160
1 1/4"	EC012500	500
1 1/2"	EC015300	300
2"	EC020225	225

## COILS GREY ENT TUBING



SIZE (IN)	RBP PART NUMBER	FEET
1/2"	ER0052000	2,000
3/4"	ER0071500	1,500
1"	ER0101000	1,000
1 1/4"	ER0121000	1,000
1 1/2"	ER015750	750
2"	ER020500	500

## REELS GREY ENT TUBING



SIZE (IN)	RBP PART NUMBER	FEET
1/2"	ES00510	100
3/4"	ES00710	100
1"	ES01010	100

Supplied in 10 foot lengths

## STRAIGHT LENGTH GREY ENT TUBING



# ENT FITTINGS & TUBING

## ENT COUPLING



SIZE (IN)	RBP PART NUMBER	CARTON QUANTITY
1/2"	RKC10	150
3/4"	RKC15	100
1"	RKC20	50
1 1/4"	RKC25	50
1 1/2"	RKC30	40
2"	RKC35	25

## ENT THREADED TERMINAL ADAPTER (CONNECTOR) W/ LOCK NUT



SIZE (IN)	RBP PART NUMBER	CARTON QUANTITY
1/2"	RKTA10	150
3/4"	RKTA15	100
1"	RKTA20	50
1 1/4"	RKTA25	50
1 1/2"	RKTA30	50
2"	RKTA35	25

## ENT TO EMT ADAPTER (CONNECTOR) W/ SET SCREW



SIZE (IN)	RBP PART NUMBER	CARTON QUANTITY
1/2"	RKTC10	125
3/4"	RKTC15	100
1"	RKTC20	50
1 1/4"	RKTC25	50
1 1/2"	RKTC30	40
2"	RKTC35	15

## ENT SNAP-IN CONNECTOR



SIZE (IN)	RBP PART NUMBER	CARTON QUANTITY
1/2"	RKTS10	150
3/4"	RKTS15	100
1"	RKTS20	50

## ENT CLIP RING



SIZE (IN)	RBP PART NUMBER	CARTON QUANTITY
1/2"	RKR10	200
3/4"	RKR15	200
1"	RKR20	200
1 1/4"	RKR25	100
1 1/2"	RKR30	100
2"	RKR35	50

SIZE (IN)	RBP PART NUMBER	CARTON QUANTITY
1/2"	RLN10	200
3/4"	RLN15	200
1"	RLN20	200
1 1/4"	RLN25	200
1 1/2"	RLN30	200
2"	RLN35	200

## HEAVY DUTY LOCK NUT



SIZE (IN)	RBP PART NUMBER	CARTON QUANTITY
1/2"	RECM10	150
3/4"	RECM15	150
1"	RECM20	200
1 1/4"	RECM25	200

## STRAIGHT STUBBY (POLYETHYLENE)



SIZE (IN)	RBP PART NUMBER	CARTON QUANTITY
1/2"	RKASTB10	50
3/4"	RKASTB15	50
1"	RKASTB20	50
1 1/4"	RKASTB25	50
1 1/2"	RKASTB30	50
2"	RKASTB35	50

## 45° ANGLED FORM STUBBY (POLYETHYLENE)



SIZE (IN)	RBP PART NUMBER	CARTON QUANTITY
1/2"	RTP10	250
3/4"	RTP15	100
1"	RTP20	100

## TAPERED PLUG (POLYETHYLENE)



SIZE (IN)	RBP PART NUMBER	CARTON QUANTITY
1" Extension	R SMBEXTENSION	20

## SLAB BOX EXTENSION



# ENT FITTINGS & TUBING

## ENT SLAB BOX WITH HUB EXTENSIONS AND GREY LID



SIZE (IN)	RBP PART NUMBER	CARTON QUANTITY
1/2 (8)	RSMB-H-10	25
1/2 (4) 3/4 (4)	RSMB-H-10-15	25
1/2 (4) 3/4 (2) 1 (2)	RSMB-H-10-15-20	25
1/2 (4) 1 (4)	RSMB-H-10-20	25
3/4 (8)	RSMB-H-15	25
3/4 (4) 1 (4)	RSMB-H-15-20	25

## ENT SLAB BOX WITH KNOCKOUTS AND GREY LID



SIZE (IN)	RBP PART NUMBER	CARTON QUANTITY
1/2 (8)	RSMB-10	25
1/2 (4) 3/4 (4)	RSMB-10-15	25
1/2 (4) 3/4 (2) 1 (2)	RSMB-10-15-20	25
3/4 (8)	RSMB-15	25
3/4 (4) 1 (4)	RSMB-15-20	25
1/2 (2) 3/4 (4) 1(2)	RSMB-15-20-10	25

## ENT SHALLOW SLAB BOX



SIZE (IN)	RBP PART NUMBER	CARTON QUANTITY
1/2 (8)	RSMBS-H-10	25
1/2 (4) 3/4 (4)	RSMBS-H-10-15	25
1/2 (4) 3/4 (2) 1 (2)	RSMBS-H-10-15-20	25
1/2 (4) 1 (4)	RSMBS-H-10-20	25
3/4 (8)	RSMBS-H-15	25
3/4 (4) 1 (4)	RSMBS-H-15-20	25

SIZE (IN)	RBP PART NUMBER	CARTON QUANTITY
1/2 (8)	RSMB-10-IMB	20
1/2 (4) 3/4 (4)	RSMB-10-15-IMB	20
1/2 (4) 3/4 (2) 1 (2)	RSMB-10-15-20-IMB	20
1/2 (4) 1 (4)	RSMB-10-20-IMB	20
3/4 (8)	RSMB-15-IMB	20
3/4 (4) 1 (4)	RSMB-15-20-IMB	20

**ENT ISOLATOR MODULE SLAB BOX**



SIZE (IN)	RBP PART NUMBER	CARTON QUANTITY
1/2"	RSVSB-H-10	70
3/4"	RSVSB-H-15	70
1"	RSVSB-H-20	70

- Certified by CSA to UL 514C

**ENT SHALLOW SINGLE GANG CONCRETE WALL BOX**



SIZE (IN)	RBP PART NUMBER	CARTON QUANTITY
1/2 (8)	RSVDB-H-10	25
1/2 (4) 3/4 (4)	RSVDB-H-10-15	25
1/2 (4) 3/4 (2) 1 (2)	RSVDB-H-10-15-20	25
1/2 (4) 1 (4)	RSVDB-H-10-20	25
3/4 (8)	RSVDB-H-15	25
3/4 (4) 1 (4)	RSVDB-H-15-20	25

- Certified by CSA to UL 514C

**ENT DEEP SINGLE GANG CONCRETE WALL BOX**



SIZE (IN)	RBP PART NUMBER	CARTON QUANTITY
1/2 (8)	RSSB-H-10	25
1/2 (4) 3/4 (4)	RSSB-H-10-15	25
1/2 (4) 3/4 (2) 1 (2)	RSSB-H-10-15-20	25
1/2 (4) 1 (4)	RSSB-H-10-20	25
3/4 (8)	RSSB-H-15	25
3/4 (4) 1 (4)	RSSB-H-15-20	25

- UL Listed for box only

DIVIDER PLATE - SOLD SEPARATELY

	RSSB-H-DC	10
--	-----------	----

**ENT SQUARE SLAB BOX**



# PVC ENCLOSURES, LARGE JUNCTION BOXES & TROUGHS

## APPLICATIONS

- Industrial MRO and OEM
- Junction boxes
- Terminal blocks
- Control housings
- Instrumentation panels
- Electrical cabinetry



**A complete line of Electrical Non-Metallic Enclosures effective at lowering installation and life cycle costs.**

58

## FEATURES

Royal Building Products Electrical Solutions PVC Enclosures are built for easy installation and an extended service life. They have longer lasting performance than metal enclosures, and are less costly in the long run.

## CONSTRUCTION

Royal's PVC Enclosures are much lighter than metal enclosures, approximately less than half their weight. Smooth corners and edges make them easy to handle and install at a jobsite.

The box is made from solid, one-piece PVC II construction with reinforced welded joints for a durable installation. The opening is sealed with a PUR-foamed seal for maximum protection. Screw style or hinged covers are available.

## PERFORMANCE

PVC Enclosures perform well with no deterioration. The enclosure is sunlight, dirt and moisture-resistant, which prevents weathering and keeps wiring clean and operational. Royal Building Products PVC Enclosures provide a maintenance-free, professional-looking installation every time.

## CORROSION PROOF

Resistant to most chemicals, PVC is typically not affected by corrosive soils or salts.

## NON CONDUCTIVE

The non-magnetic and non-galvanic properties of Royal Building Products PVC Enclosures provides superior insulation and no power loss or conductor heating.

## FIRE RESISTANT

The PVC II material used for Royal Building Products Enclosures meets the UL 94V-0 Flammability Standard - limiting flaming combustion to no greater than 10 seconds with no flaming particle discharges.

## IMPACT RESISTANT

Royal Building Products enclosures are made from tough, durable, high tensile strength PVC.

## CUSTOMIZATION

Factory assembled with the following custom options:

- Custom sizes
- Access windows
- Hinged windows
- Panel mounts
- Single or multiple hole openings
- Push button holes
- Vents
- Latches
- Locking systems
- Optional mounting flanges



# PVC ENCLOSURES, LARGE JUNCTION BOXES & TROUGHS

## SPECIFICATIONS

Royal Building Products Electrical Solutions' complete line of Electrical Non-Metallic PVC Enclosures is manufactured to meet UL 50 Standards as certified by ETL.

NEMA 4X rated enclosures are for indoor or outdoor use, primarily to provide a degree of protection against corrosion, windblown dust and rain, splashing water and hose directed water per NEMA Standard 1-10-1979.

## DESIGN ADVANTAGES OF ROYAL PVC ENCLOSURES



## CODES AND STANDARD COMPLIANCE

Per UL 50 as tested by ETL, Royal Building Products PVC Electrical Enclosures meet NEMA Type 1, 2, 3, 3S, 3X, 4, 4X ratings.

Made from grey engineered PVC II material, with fabricated bases and covers. PVC II material meets Outdoor Stability standards as measured by UL 746C f1, providing UV and water immersion testing. PVC II material is stable at 194°F as rated on PVC conduit products.

The door has a PUR-foamed seal. The PVC is UL94V-0 rated, with the enclosures built to withstand NEMA 4X performance as tested and listed by ETL.

PVC material allows the use of standard solvent cements for ease of fitting attachment. PVC Type II material with uni-body construction and penetration welding provides a strong, durable enclosure.

Corrosion-resistant enclosures satisfy the requirements of Type 4X, and are suitable for food processing plants, dairies, refineries, water, waste and chemical processing, and any other industries where corrosion is prominent.

Stainless steel fasteners provide extended corrosion resistance.

Made in USA.



## PVC ENCLOSURES, LARGE JUNCTION BOXES & TROUGHS

### ELECTRICAL TROUGH BOX (SCREW COVER)



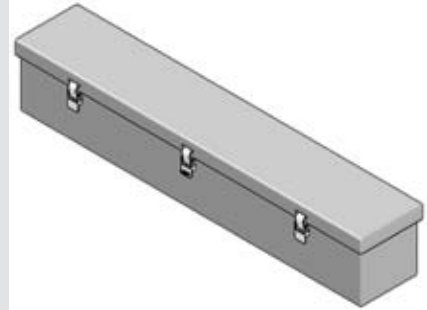
SIZE (IN)	RBP PART NUMBER	WEIGHT EACH (LBS)
4 x 4 x 12	ETR040412	3
4 x 4 x 18	ETR040418	5
4 x 4 x 24	ETR040424	6
4 x 4 x 36	ETR040436	8
4 x 4 x 48	ETR040448	11
4 x 4 x 60	ETR040460	14
6 x 6 x 12	ETR060612	5
6 x 6 x 18	ETR060618	6
6 x 6 x 24	ETR060624	8
6 x 6 x 36	ETR060636	12
6 x 6 x 48	ETR060648	15
6 x 6 x 60	ETR060660	18
6 x 6 x 72	ETR060672	22
8 x 8 x 12	ETR080812	6
8 x 8 x 18	ETR080818	8
8 x 8 x 24	ETR080824	10
8 x 8 x 32	ETR080832	12
8 x 8 x 36	ETR080836	15
8 x 8 x 48	ETR080848	19
8 x 8 x 60	ETR080860	23
12 x 12 x 24	ETR121224	15
12 x 12 x 36	ETR121236	22
12 x 12 x 48	ETR121248	28
12 x 12 x 60	ETR121260	34
18 x 18 x 72	ETR181872	58
Mounting Feet (4)	EJBMF4	1

- Fasteners on lids spaced approximately every 6"
- Weight does not include packaging
- Backplates available upon request
- Mounting feet are not included
- Non-cancellable
- Non-returnable
- Made in USA

## PVC ENCLOSURES, LARGE JUNCTION BOXES & TROUGHS

SIZE (IN)	RBP PART NUMBER	WEIGHT EACH (LBS)
4 x 4 x 12	ELC040412	3
4 x 4 x 18	ELC040418	5
4 x 4 x 24	ELC040424	6
4 x 4 x 36	ELC040436	8
4 x 4 x 48	ELC040448	11
4 x 4 x 60	ELC040460	14
6 x 6 x 12	ELC060612	5
6 x 6 x 18	ELC060618	6
6 x 6 x 24	ELC060624	8
6 x 6 x 36	ELC060636	12
6 x 6 x 48	ELC060648	15
6 x 6 x 60	ELC060660	18
8 x 8 x 12	ELC080812	6
8 x 8 x 18	ELC080818	8
8 x 8 x 24	ELC080824	10
8 x 8 x 36	ELC080836	15
8 x 8 x 48	ELC080848	19
8 x 8 x 60	ELC080860	23
12 x 12 x 24	ELC121224	15
12 x 12 x 36	ELC121236	22
12 x 12 x 48	ELC121248	28
12 x 12 x 60	ELC121260	34
Mounting Feet (4)	EJBMF4	1

**ELECTRICAL TROUGH BOX  
(LATCH HINGED COVER)**



- Weight does not include packaging
- Backplates available upon request
- Mounting feet are not included
- Non-cancellable
- Non-returnable
- Made in USA

## PVC ENCLOSURES, LARGE JUNCTION BOXES & TROUGHS

### LARGE FABRICATED JUNCTION BOX (SCREW COVER)



SIZE (IN)	RBP PART NUMBER	WEIGHT EACH (LBS)
12 x 8 x 4	E053120804	5
12 x 8 x 6	E053120806	6
12 x 8 x 8	E053120808	7
12 x 10 x 4	E053121004	5
12 x 10 x 6	E053121006	6
12 x 10 x 8	E053121008	7
12 x 12 x 4	E053121204	6
12 x 12 x 6	E053121206	7
12 x 12 x 8	E053121208	8
12 x 12 x 12	E053121212	9
14 x 12 x 4	E053141204	7
14 x 12 x 6	E053141206	8
14 x 12 x 8	E053141208	12
14 x 14 x 4	E053141404	7
14 x 14 x 6	E053141406	8
14 x 14 x 8	E053141408	9
14 x 14 x 10	E053141410	10
14 x 14 x 14	E053141414	12
16 x 16 x 10	E053161610	12
16 x 16 x 12	E053161612	14
16 x 16 x 16	E053161616	16
18 x 12 x 4	E053181204	8
18 x 12 x 6	E053181206	9
18 x 12 x 8	E053181208	10
18 x 16 x 4	E053181604	10
18 x 16 x 6	E053181606	11
18 x 16 x 8	E053181608	12
18 x 18 x 4	E053181804	11
18 x 18 x 6	E053181806	12
18 x 18 x 8	E053181808	13
18 x 18 x 10	E053181810	15
18 x 18 x 12	E053181812	16
18 x 18 x 18	E053181818	20
20 x 18 x 8	E053201808	14
20 x 20 x 8	E053202008	15
24 x 6 x 6	E053240606	7
24 x 18 x 6	E053241806	15
24 x 18 x 8	E053241808	16

- Fasteners on lids spaced approximately every 6"
- Weight does not include packaging
- Backplates available upon request
- Mounting feet are not included
- Non-cancellable
- Non-returnable
- Made in USA

## PVC ENCLOSURES, LARGE JUNCTION BOXES & TROUGHS

SIZE (IN)	RBP PART NUMBER	WEIGHT EACH (LBS)
24 x 18 x 12	E053241812	19
24 x 20 x 6	E053242006	16
24 x 20 x 8	E053242008	18
24 x 24 x 4	E053242404	17
24 x 24 x 6	E053242406	19
24 x 24 x 8	E053242408	20
24 x 24 x 10	E053242410	22
24 x 24 x 12	E053242412	24
24 x 24 x 24	E053242424	34
30 x 24 x 8	E053302408	24
30 x 30 x 10	E053303010	31
30 x 30 x 12	E053303012	33
30 x 30 x 20	E053303020	42
30 x 30 x 30	E053303030	52
36 x 18 x 12	E053361812	27
36 x 24 x 8	E053362408	28
36 x 24 x 24	E053362424	28
36 x 36 x 6	E053363606	36
36 x 36 x 12	E053363612	43
36 x 36 x 18	E053363618	51
36 x 36 x 20	E053363620	53
36 x 36 x 36	E053363636	75
40 x 40 x 12	E053404012	51
40 x 40 x 20	E053404020	63
40 x 40 x 40	E053404040	97
48 x 36 x 16	E053483616	65
48 x 48 x 24	E053484824	94
48 x 48 x 36	E053484836	115
48 x 48 x 48	E053484848	136
Mounting Feet (4)	EJBMF4	1

**LARGE FABRICATED  
JUNCTION BOX (SCREW COVER)**



- Fasteners on lids spaced approximately every 6"
- Weight does not include packaging
- Backplates available upon request
- Mounting feet are not included
- Non-cancellable
- Non-returnable
- Made in USA

# PVC ENCLOSURES, LARGE JUNCTION BOXES & TROUGHS

## ELECTRICAL ENCLOSURES (HINGED COVER)



SIZE (IN)	RBP PART NUMBER	WEIGHT EACH (LBS)
14 x 12 x 6	EBH141206	8
18 x 18 x 8	EBH181808	13
20 x 12 x 6	EBH201206	10
20 x 12 x 8	EBH201208	11
20 x 16 x 6	EBH201606	12
20 x 16 x 8	EBH201608	13
20 x 16 x 10	EBH201610	14
20 x 16 x 12	EBH201612	16
20 x 20 x 6	EBH202006	14
20 x 20 x 8	EBH202008	15
20 x 20 x 10	EBH202010	17
20 x 24 x 6	EBH202406	16
20 x 24 x 8	EBH202408	18
24 x 12 x 6	EBH241206	11
24 x 12 x 8	EBH241208	12
24 x 12 x 10	EBH241210	14
24 x 16 x 6	EBH241606	14
24 x 16 x 8	EBH241608	15
24 x 20 x 8	EBH242008	18
24 x 20 x 10	EBH242010	19
24 x 20 x 12	EBH242012	21
24 x 20 x 16	EBH242016	24
24 x 24 x 6	EBH242406	19
24 x 24 x 8	EBH242408	20
24 x 24 x 10	EBH242410	22
24 x 24 x 12	EBH242412	24
24 x 24 x 16	EBH242416	27
24 x 30 x 8	EBH243008	24
30 x 16 x 6	EBH301606	16
30 x 20 x 6	EBH302006	19

- Weight does not include packaging
- Backplates available upon request
- Mounting feet are not included
- Non-cancellable
- Non-returnable
- Made in USA

## PVC ENCLOSURES, LARGE JUNCTION BOXES & TROUGHS

SIZE (IN)	RBP PART NUMBER	WEIGHT EACH (LBS)
30 x 20 x 8	EBH302008	21
30 x 20 x 10	EBH302010	23
30 x 24 x 6	EBH302406	22
30 x 24 x 8	EBH302408	24
30 x 24 x 10	EBH302410	26
30 x 24 x 12	EBH302412	28
30 x 24 x 16	EBH302416	32
30 x 24 x 20	EBH302420	36
30 x 24 x 24	EBH302424	40
30 x 30 x 8	EBH303008	28
30 x 30 x 12	EBH303012	33
30 x 36 x 8	EBH303608	33
36 x 24 x 6	EBH362406	25
36 x 24 x 8	EBH362408	28
36 x 24 x 10	EBH362410	30
36 x 24 x 12	EBH362412	32
36 x 30 x 6	EBH363006	30
36 x 30 x 8	EBH363008	32
36 x 30 x 10	EBH363010	35
36 x 30 x 12	EBH363012	38
36 x 30 x 16	EBH363016	43
36 x 30 x 20	EBH363020	48
36 x 36 x 8	EBH363608	38
36 x 36 x 12	EBH363612	44
42 x 24 x 8	EBH422408	32
42 x 30 x 8	EBH423008	40
42 x 30 x 10	EBH423010	44
42 x 30 x 12	EBH423012	46
42 x 36 x 8	EBH423608	47
Mounting Feet (4)	EJBMF4	1

### ELECTRICAL ENCLOSURES (HINGED COVER)



- Weight does not include packaging
- Backplates available upon request
- Mounting feet are not included
- Non-cancellable
- Non-returnable
- Made in USA



# INSTALLATION GUIDELINES FOR RIGID CONDUIT

## CUTTING

No special tools are required to cut Royal Rigid PVC Conduit. It can easily be cut with a hacksaw, a fine-toothed handsaw or PVC conduit cutters. For conduit with more than a 2-inch diameter, use a miter box or saw guide to ensure a square cut. Deburr the end using a knife or file.

## BENDING

It may be necessary to create bends in the field by heating and deforming rigid conduit. To accomplish this, the following guidelines should be followed:

- For heating the rigid conduit, use a heat gun or some other flameless heat source. Do not use an open flame to heat the conduit. The rigid conduit must be heated to approximately 260°F in order to bend without kinking.
- Heat a length of conduit equal to approximately 10 times the rigid conduit nominal diameter.
- Once the rigid conduit has been adequately heated, bend it to the required angle plus 3 extra degrees. The additional angle will accommodate the "spring back" which will occur during cooling.
- After bending of the conduit is completed, immediately cool the bend using water or cold air.
- According to the National Electrical Code (NEC), the minimum bending radius for rigid conduit is as shown in the table below.

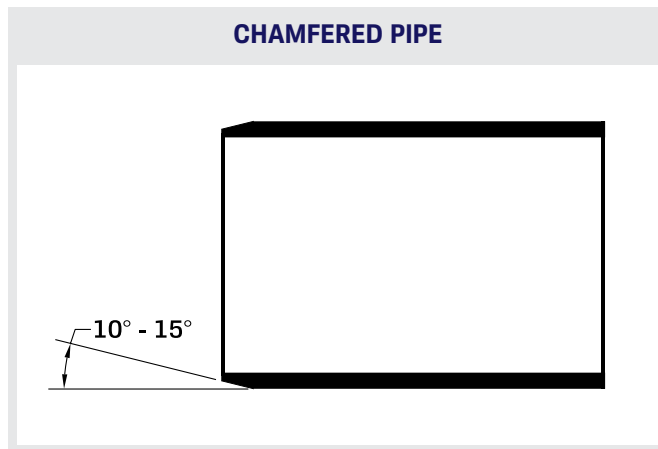


NOMINAL SIZE (IN)	MIN. RADIUS TO CENTER OF CONDUIT OR TUBING (IN)
1/2"	4.016
3/4"	4.489
1"	5.748
1 1/4"	7.244
1 1/2"	8.268
2"	9.488
2 1/2"	10.512
3"	12.992
3 1/2"	14.606
4"	15.984
5"	24.016
6"	30.000

# INSTALLATION GUIDELINES FOR RIGID CONDUIT

## PROCEDURE FOR SOLVENT WELDING JOINTS

- Use solvent cement and primer prior to expiration date marked on container.
  - Above 32°F ambient temperature, joints may be assembled without the use of primer, provided adequate penetration and softening of the pipe/fitting surface can be achieved with solvent cement alone.
1. Assemble materials for the job, including correct solvent cement, primer and correctly sized applicator.
  2. Cut pipe as square as possible using a hand saw and miter box or mechanical saw. Do not use a diagonal cut, as it reduces the bonding area in the joint.
  3. If plastic tubing cutters are used, care must be taken to remove any raised bead at the end of the pipe, caused by cutting. A file or reamer may be used to remove the bead.
  4. Use a knife, file or reamer to remove burrs from the inside and outside of the pipe end, as these will hinder the integrity of the joint. All sharp edges should be removed from the inside and outside edges of the pipe to prevent the pipe from pushing the solvent cement into the fitting socket, thereby causing a weak spot to form. The pipe end should be chamfered, as shown below.



5. All dirt, grease and moisture should be removed from the pipe and socket by thoroughly wiping with a clean, dry cloth.
6. Dry fit pipe and fitting joints prior to cementing. For proper interference fit, the pipe should go easily into the socket approximately 1/3 to 2/3 of the socket depth. If this is not the case, other pipe or fittings should be used.

7. The applicator should be sized according to the size of pipe and fittings being joined. The brush width of the applicator should be equal to approximately 1/2 of the pipe diameter.

8. Primer is used to penetrate and soften the surfaces so that they will fuse together under a wide variety of conditions. The penetration or softening can be checked by dragging the edge of a knife or sharp object over the coated surface. If a few thousandths of an inch of the primed surface can be scratched or scraped away, proper penetration has occurred. Varying weather conditions affect priming and cementing action and may require more time or repeated applications to either or both surfaces.

9. If using primer, use the correct applicator size and aggressively work the primer into the socket, keeping the surface and applicator wet until the surface has softened, re-dipping the applicator as required. When the surface is primed, remove any puddles of primer from the socket.

10. Aggressively work the primer on to the end of the pipe, to a point 1/2" beyond the depth of the socket.

11. Perform a second application of primer in the socket.

12. While the surfaces are still wet, the appropriate solvent cement should be applied.

13. Using the correct applicator size, aggressively work a full, even layer of cement onto the pipe end to a point equal to the depth of the socket. Do not brush out to a thin paint type layer, as this will dry within a few seconds.

14. Aggressively work a medium layer of cement into the fitting socket; avoid puddling cement in the socket. On the pipe end, do not coat beyond the socket depth or allow cement to run down into the pipe beyond the socket.

15. Apply a second full, even layer of cement on the pipe.

16. Immediately, while the cement is still wet, assemble the joint. Use enough force to ensure that the pipe is fully inserted into the socket. Twist the pipe a 1/4 turn as it is being inserted.

17. Hold the joint together for approximately 30 seconds to avoid push out.

18. After assembly, inspect the joint to ensure that there is a ring or bead of cement completely around the juncture of the pipe and socket. If there are voids in this ring, sufficient cement was not applied and the joint may be defective.

# INSTALLATION GUIDELINES FOR RIGID CONDUIT

**19.** Remove the excess cement from the pipe and socket (including the ring or bead) using a cloth. Avoid disturbing or moving the joint.

**20.** Handle newly cemented joints with care until initial set has taken place. Follow set and cure times before handling or testing the system.

## SOLVENT CEMENTING

All connections should be made using and applying solvent cement.

### SET TIMES AVERAGE INITIAL SET TIMES

TEMPERATURE RANGE	PIPE SIZES ½" to 1¼"	PIPE SIZES 1½" to 2"	PIPE SIZES 2½" to 6"
59° to 104° F	2 min	5 min	30 min
41° to 59° F	5 min	10 min	2 hrs
3° to 41° F	10 min	15 min	12 hrs

### JOINT CURE SCHEDULE AVERAGE JOINT CURE TIMES

TEMPERATURE RANGE DURING ASSEMBLY & CURE PERIODS	PIPE SIZES ½" to 1¼"	PIPE SIZES 1½" to 2"	PIPE SIZES 2½" to 6"
59° to 104° F	2 min	5 min	30 min
41° to 59° F	5 min	10 min	2 hrs
3° to 41° F	10 min	15 min	12 hrs

In damp or humid weather allow 50% more cure time.

### ESTIMATED SOLVENT CEMENT REQUIREMENTS AVERAGE NUMBER OF JOINTS PER QUART OF SOLVENT CEMENT

PIPE / FITTING DIAMETER	½"	¾"	1"	1½"	2"	2½"	3"	4"	6"
NUMBER OF JOINTS	550	360	280	150	80	70	60	50	24

## SOLVENT CEMENTING IN COLD WEATHER

- Store pipe and fittings in a heated area. Prefabricate as much of the system as possible in a heated area.
- When not in use, store sealed solvent cement and primer between 41°F and 70°F. Do not use open flame or electric heaters to warm cements and primers.
- Take care to remove moisture, ice and snow from the mating surfaces.

## SOLVENT CEMENTING IN HOT WEATHER

- At the time of assembly, the surface temperature of the mating surfaces should not exceed 113°F. Shade or shelter the joint surfaces from direct sunlight for at least 1 hour prior to joining and during the joining process. If necessary, swab the mating surfaces with clean, wet rags to reduce the surface temperature (thoroughly dry surfaces before applying primer or cement).

- Make joints during the cooler early morning hours.
- Apply cement quickly and join pipe to fitting as quickly as possible after applying the cement.
- Keep solvent cement container closed or covered when not in use, to minimize solvent loss.

## SOLVENT CEMENTING IN WET CONDITIONS

- Mating surfaces must be dry when the joint is made.
- Work under a cover or canopy to keep rain off pipe and fittings.
- Work quickly after drying the pipe and fitting to avoid condensation.
- Allow a longer cure time before the system is tested or used.

## STORAGE AND HANDLING OF SOLVENT CEMENT AND PRIMER

- Solvent cement and primer contain highly flammable solvents. Follow all specific safety precautions provided on container label and Material Safety Data Sheet.

# INSTALLATION GUIDELINES FOR RIGID CONDUIT

- Keep primer and solvent cement away from heat, sparks and open flame.
- Keep containers tightly closed except when in use.
- Ensure proper ventilation of work area and avoid inhaling solvent vapors.
- Where the possibility of splashing exists, wear proper eye protection or a face shield.
- Avoid contact with skin.

## SUPPORT STRAPS

Rigid PVC conduit must be supported with straps when installed in above ground applications. These straps should be installed snugly, while allowing linear movement of the conduit. See the table below for recommended maximum spacing of support straps.

**MAXIMUM RECOMMENDED SPACING OF SUPPORT STRAPS**

NOMINAL SIZE (IN)	NEC RECOMMENDED SPACING (FT)
1/2"	3
3/4"	3
1"	3
1 1/4"	5
1 1/2"	5
2"	5
2 1/2-3"	6
3 1/2-5"	7
6"	8

## STORING CONDUIT AND FITTINGS

Store conduit and fittings at the same temperature, otherwise they may expand and contract at different rates and become incompatible.

## MAXIMUM OPERATING AND AMBIENT TEMPERATURES

When installing conduit according to the National Electrical Code (NEC), Royal PVC Conduit can be used with up to 90°C (194°F) wiring.

Royal Electrical Solutions Rigid PVC Conduit and fittings can be installed in locations with an ambient temperature not exceeding 122°F.

## EXPANSION JOINTS

According to the National Electrical Code, if the amount of expansion expected due to temperature variance during and after construction is more than 1.8", expansion joints must be used. Royal Electrical Solutions recommends the use of expansion joints whenever the expected temperature change is greater than 25°F.

## EXPECTED EXPANSION

The coefficient of linear expansion for PVC Rigid Conduit is as follows:

$$3 \times 10^{-5} \text{ in (expansion/contraction) / in (pipe length) / }^{\circ}\text{F (change in temperature)}$$

## NOTE

The following chart shows the amount of expansion expected with various pipe lengths/temperature changes. If the rigid conduit is installed in an exposed location, 30°F should be added to the amount of temperature change ( $\Delta T$ ) due to the effects of radiant heat.

## REQUIRED NUMBER OF EXPANSION JOINTS

The following table shows the amount of travel that is available with each trade size of Royal Electrical Solutions Rigid conduit expansion joints:

**EXPANSION/CONTRACTION OF PVC (IN) PER 10 FT LENGTH OF PIPE RUN**

$\Delta T (^{\circ}\text{F})$	5	10	15	20	25	30	35	40	45	50
<b>5</b>	0.01	0.02	0.03	0.04	0.05	0.05	0.06	0.07	0.08	0.09
<b>10</b>	0.02	0.04	0.05	0.07	0.09	0.11	0.13	0.14	0.16	0.18
<b>15</b>	0.03	0.05	0.08	0.11	0.14	0.16	0.19	0.22	0.24	0.27
<b>20</b>	0.04	0.07	0.11	0.14	0.18	0.22	0.25	0.29	0.32	0.36
<b>25</b>	0.05	0.09	0.14	0.18	0.23	0.27	0.32	0.36	0.41	0.45
<b>30</b>	0.05	0.11	0.16	0.22	0.27	0.32	0.38	0.43	0.49	0.54
<b>35</b>	0.06	0.13	0.19	0.25	0.32	0.38	0.44	0.50	0.57	0.63
<b>40</b>	0.07	0.14	0.22	0.29	0.36	0.43	0.50	0.58	0.65	0.72
<b>45</b>	0.08	0.16	0.24	0.32	0.41	0.49	0.57	0.65	0.73	0.81
<b>50</b>	0.09	0.18	0.27	0.36	0.45	0.54	0.63	0.72	0.81	0.90

# INSTALLATION GUIDELINES FOR RIGID CONDUIT

## REQUIRED NUMBER OF EXPANSION JOINTS

PART NUMBER	DESCRIPTION ALLOWANCE (IN)	TRAVEL (IN)
E016050	1/2" Expansion Joint	4
E016075	3/4" Expansion Joint	4
E016100	1" Expansion Joint	4
E016125	1 1/4" Expansion Joint	4
E016150	1 1/2" Expansion Joint	4
E016200	2" Expansion Joint	4
E016250	2 1/2" Expansion Joint	4
E016300	3" Expansion Joint	8
E016350	3 1/2" Expansion Joint	8
E016400	4" Expansion Joint	8
E016500	5" Expansion Joint	8
E016600	6" Expansion Joint	8

The required number of expansion joints can be calculated using the following formula:

### EXPANSION JOINT FORMULA

$$\# \text{ Expansion Joints Required} = \frac{\text{Total Expected Amount of Expansion (in)}}{\text{Expansion Joint Travel Allowance (in)}}$$

The number of expansion joints calculated above should be rounded up to the nearest whole number.

## SETTING THE PISTON OPENING

Expansion joints must be installed such that they allow for both expansion and contraction of the conduit. The piston of the expansion joint must be set at the correct position to allow for this linear movement. To determine the correct position for the piston at the time and temperature of installation, the following formula should be used:

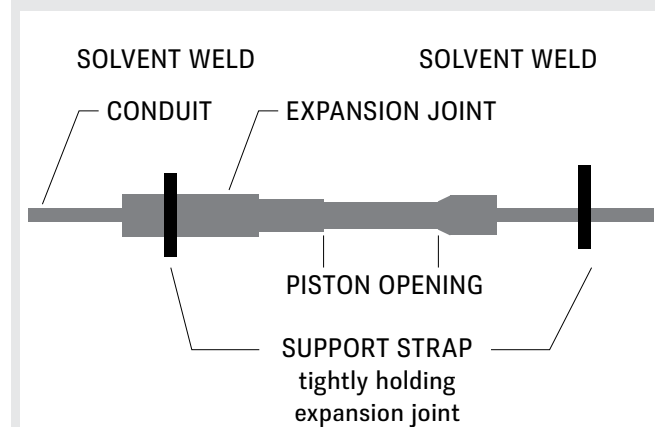
### PISTON OPENING

$$\text{Piston Setting (in)} = \frac{(\text{Max. Temp. (°F)} - \text{Install. Temp. (°F)})}{\text{Total Expected Temperature Change (°F)}} \left[ \text{Expansion Joint Expansion Allow (in)} \right]$$

## INSTALLATION GUIDELINES

- Securely fasten the expansion joint barrel so that it does not shift. Loosely connect the conduit so that it is free to move.
- To function properly, expansion joints should be installed near a fixed point.
- It is better to use more expansion joints than not enough, since problems are difficult to correct after conductors and wires have been pulled through the conduit.
- Ensure that the barrel and piston are aligned and level.
- For vertical installations of expansion joints, have the barrel running down with the piston at the bottom to prevent dirt and water from getting inside the joint and causing it to malfunction.

### INSTALLATION EXAMPLE



# INSTALLATION GUIDELINES FOR RIGID CONDUIT

## IF ONE EXPANSION JOINT IS REQUIRED

Securely fasten the barrel of the expansion joint close to one of the boxes. Support the conduit with straps, but allow free movement of the conduit for expansion and contraction. (See Drawing 1)

## IF TWO EXPANSION JOINTS ARE REQUIRED

There are two options available:

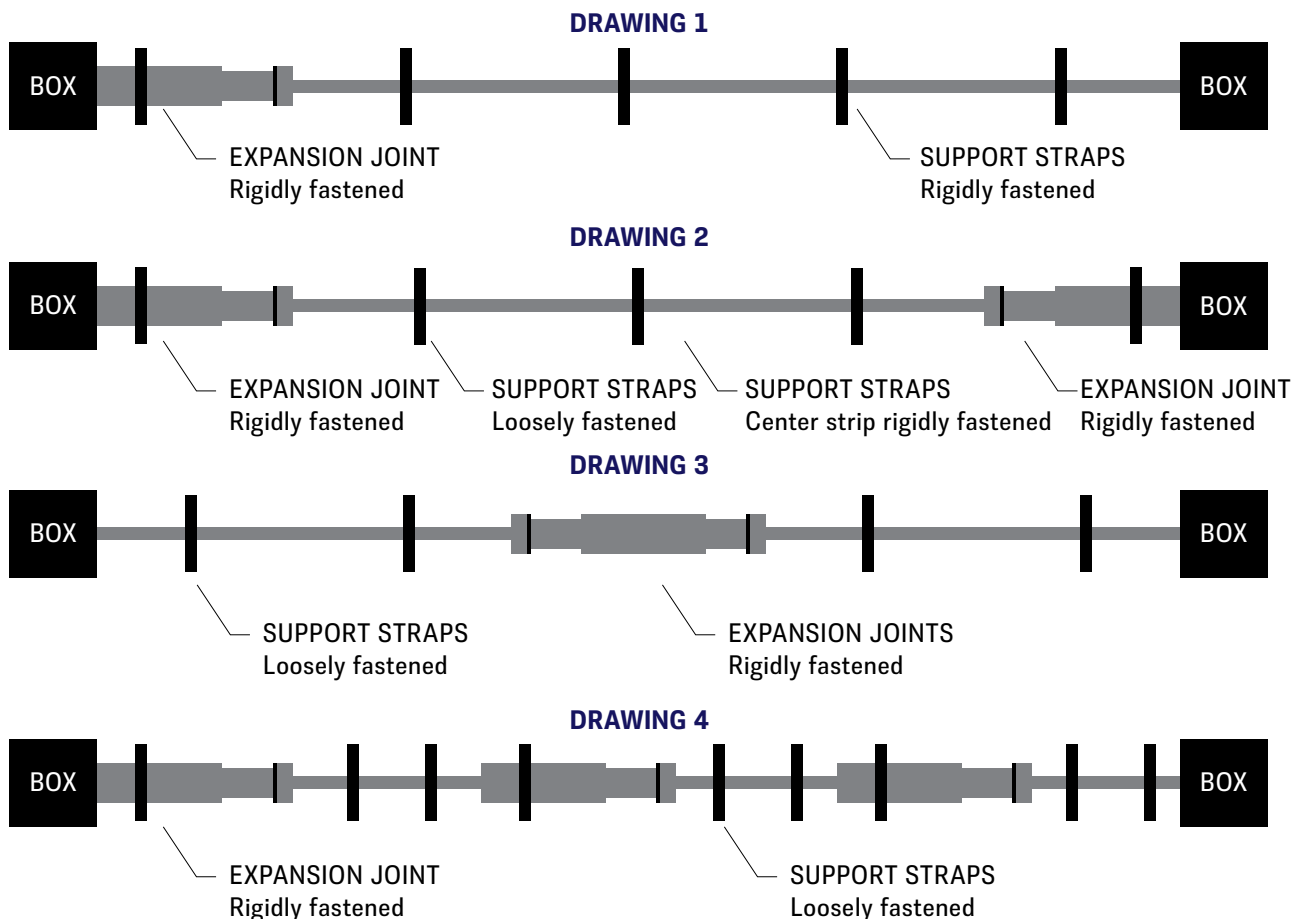
1. Firmly fasten one expansion joint near each end of the run and firmly fasten the conduit at the center. Support the rest of the conduit with straps allowing for movement of the conduit. (See Drawing 2)
2. Firmly fasten the expansion joints back-to-back at the center of the run. The conduit should be supported with straps to allow free movements as it expands and contracts. (See Drawing 3)

## IF THREE OR MORE EXPANSION JOINTS ARE REQUIRED

Evenly space the expansion joints along the run of Rigid PVC conduit. Tightly fasten each expansion joint and support the conduit with straps. Do not restrict the movement of the conduit.

\*For information on Maximum Recommended Spacing of Support Straps, see page 65.

### EXPANSION JOINT DRAWINGS 1-4





# INSTALLATION GUIDELINES FOR RIGID CONDUIT

## SPECIFICATION

All wiring shall be installed in Royal Electrical Solutions Rigid PVC Conduit and secured with proper fittings. All conduit and fittings shall be manufactured by Royal Building Products. All outlets, elbows and junction boxes shall be Royal products.

Exposed conduit shall be securely attached and supported with straps that are installed at the recommended spacing specified in the National Electrical Code, Article 352.30. Expansion fittings for PVC conduit shall be provided to compensate for thermal expansion and contraction where the length change is expected to be ¼ in or greater in a straight run between securely mounted items such as boxes, cabinets, elbows, or other conduit terminations in accordance with the National Electrical Code, Article 352.44.



## DIMENSIONS

NOMINAL SIZE	AVERAGE OUTSIDE DIAMETER (IN)	AVERAGE INSIDE DIAMETER (IN)	AVERAGE WALL THICKNESS (IN)	APPROX. WEIGHT LB/100FT
½"	0.840	0.608	0.116	16.1
¾"	1.050	0.810	0.120	21.5
1"	1.315	1.033	0.141	31.9
1¼"	1.660	1.362	0.149	43.8
1½"	1.900	1.592	0.154	52.3
2"	2.375	2.049	0.163	70.3
2½"	2.875	2.445	0.215	112.0
3"	3.500	3.042	0.229	146.7
3½"	4.000	3.520	0.240	176.4
4"	4.500	3.998	0.251	208.9
5"	5.565	5.017	0.274	283.4
6"	6.625	6.031	0.297	368.0

## SOLVENT CEMENT

### Rigid PVC Conduit and Duct Solvent Cement Low VOC/Premium Grade Clear

Royal Building Products Electrical Solutions offers two types of high performance solvent cement; low temperature for cold weather conditions, and cement for normal weather conditions. Our cold weather solvent cement can be applied in temperatures as low as -15°F in the harshest environments. Both of our solvent cement products are quick-drying to reduce installation time and save on labor cost. Royal's solvent cement provides a strong, reliable bond between pipe and fittings.

Solvent cement products can contain hazardous chemicals and volatile organic compounds (VOC), which emit smog-forming chemicals that can be harmful to users or installers and to our environment. Most of these products pollute indoor and outdoor air quality causing respiratory and eye irritation.

Our solvent cement products are Low VOC, resulting in lower emissions to the air and better health safety for individuals and installers who will be handling them.

Royal Building Products solvent cement meets or exceeds ASTM D2564 specifications for PVC solvent cements used in joining PVC piping systems, and is recommended for all classes and schedules of PVC pipe through 6", and through 4" for Schedule 80.



# CHEMICAL RESISTANCE GUIDE

## COMPARATIVE CHEMICAL RESISTANCE

Seven Days At  
73.4°F

CHEMICAL	PRODUCTS	CHANGE IN WEIGHT %	CHANGE IN DIMENSION %	CHANGE IN ELONGATION %	CHANGE IN TENSILE STRENGTH %	SURFACE *APPEARANCE**
Sulfuric Acid 10%	HF - 2230	0.4	0	-43.0	-2.0	U
	ABS - KJU	0.1	0	+60.0	-3.0	U
	Noryl - N190	0.2	0	-21.0	8.0	U
Sodium Hydroxide, 10%	HF - 2230	0.6	0	-57.0	-2.0	U
	ABS - KJU	0.3	0	94.0	4.0	S
	Noryl - N190	0.2	0	-18.0	9.0	U
Acetic Acid, Glacial	HF - 2230	14.0	12.0	809.0	-56.0	B
	ABS - KJU	--	--	--	--	F
	Noryl - N190	6.0	5.0	20.0	-17.0	S
Formula 409	HF - 2230	0.2	0	-21.0	-3.0	U
	ABS - KJU	0.8	0	324.0	-5.0	U
	Noryl - N190	0.3	0	11.0	-8.0	U
Downy Fabric Softener	HF - 2230	0.2	0	36.0	-3.0	U
	ABS - KJU	0.5	0	170.0	-4.0	U
	Noryl - N190	0.1	0	-26.0	8.0	U
Clorox	NF - 2230	0.3	0	69.0	-3.0	U
	ABS - KJU	0.1	0	10.0	-4.0	U
	Noryl - N190	0.1	0	-24.0	8.0	U
Salad Oil	HF - 2230	0.1	0	10.0	-0.3	F
	ABS - KJU	0	0	26.0	-3.0	U
	Noryl - N190	0.2	0	-10.0	7.0	S
Hexane	HF - 2230	0.2	0	71.0	-2.0	S
	ABS - KJU	0.8	1.0	130.0	-13.0	S
	Noryl - N190	6.0	9.0	122.0	-40.0	S
Ethyl Alcohol, 95%	HF - 2230	0	0	-43.0	-2.0	U
	ABS - KJU	13.0	2.0	121.0	21.0	U
	Noryl - N190	0.1	0	7.0	6.0	U

\*Samples placed in flexure: 20° bend

\*\*U - Unchanged  
S - Stress Cracking  
B - Blistering  
F - Fractured

# CHEMICAL RESISTANCE GUIDE

**KEY:**

R - Resistant NR - Not Recommended

REAGENT	TEMPERATURE		REAGENT	TEMPERATURE		REAGENT	TEMPERATURE	
	72°F	140°F		72°F	140°F		72°F	140°F
<b>A</b>								
Acetaldehyde	NR	NR	Ammonium Sulfate	R	R	Butanol, Primary	NR	NR
Acetic Acid, pure	NR	NR	Ammonium Sulfide	R	R	Butanol, Secondary	NR	NR
Acetic Acid, 10%	R	R	Ammonium Triocyanate	R	R	Butyl Acetate	NR	NR
Acetic Acid, 20%	R	NR	Amyl Acetate	NR	NR	Butyl Alcohol	R	NR
Acetic Acid, 80%	R	NR	Amyl Alcohol	NR	NR	Butyl Mercaptan	NR	NR
Acetic Acid, Glacial	NR	NR	Amyl Chloride	NR	NR	Butyl Phenol	R	NR
Acetic Anhydride	NR	NR	Aniline	NR	NR	Butyl Stearate	R	NR
Acetone	NR	NR	Aniline Chlorohydrate	NR	NR	Butyne Dial	NR	NR
Acetyl Nitrile	NR	NR	Aniline Hydrochlorate	NR	NR	Butyric Acid	NR	NR
Acetylene	R	R	Anthraquinone	R	NR	<b>C</b>		
Acrylic Acid Ethyl Ester	NR	NR	Anthraquinonesulfonic Acid	R	R	Cadmium Cyanide	R	R
Adipic Acid	R	R	Antimony Trichloride	R	R	Calcium Bisulfide	R	R
Alcohol, Butyl	R	R	Aqua Regia	NR	NR	Calcium Bisulfite	R	R
Alcohol, Ethyl	R	R	Aromatic Hydrocarbons	NR	NR	Calcium Carbonate	R	R
Alcohol, Methyl, Butyl	R	R	Arsenic Acid, 80%	R	R	Calcium Chlorate	R	R
Alcohol, Propyl, Ethyl	R	R	Arsenic Trioxide (powder)	R	R	Calcium Chloride	R	R
Allyl Alcohol, 96%	NR	NR	Arylsulfonic Acid	R	NR	Calcium Chloride	R	R
Allyl Chloride	NR	NR	<b>B</b>			Calcium Hydroxide	R	R
Alum	R	R	Barium Carbonate	R	R	Calcium Hypochlorite	R	R
Aluminum Alum	R	R	Barium Chloride	R	R	Calcium Nitrate	R	R
Aluminum Chloride	R	R	Barium Hydroxide	R	R	Calcium Oxide	R	R
Aluminum Fluoride	R	R	Barium Nitrate	R	R	Calcium Sulphate	R	R
Aluminum Hydroxide	R	R	Barium Sulfate	R	R	Carbon Bisulfide	NR	NR
Aluminum Oxychloride	R	R	Barium Sulfide	R	R	Carbon Dioxide	R	R
Aluminum Nitrate	R	R	Beer	R	R	Carbon Monoxide	R	R
Aluminum Sulfate	R	R	Beet Sugar Liquors	R	R	Carbon Tetrachloride	NR	NR
Ammonia (Gas-dry)	R	R	Benzaldehyde, 10%	NR	NR	Carbonic Acid	R	R
Ammonia (Liquid)	NR	NR	Benzaldehyde, above 10%	NR	NR	Castor Oil	R	R
Ammonium Acetate	R	R	Benzene	NR	NR	Caustic Potash	R	R
Ammonium Alum	R	R	Benzoic Acid	R	R	Celosolve	R	NR
Ammonium Bifluoride	R	R	Bismuth Carbonate	R	R	Caustic Soda	R	R
Ammonium Bisulfate	R	R	Black Liquor	R	R	Chloracetic Acid	R	NR
Ammonium Carbonate	R	R	Bleach (12% Cl)	R	R	Chloral Hydrate	R	R
Ammonium Chloride	R	R	Borax	R	R	Chloric Acid, 20%	R	R
Ammonium Dichromate	R	R	Boric Acid	R	R	Chloride (Water)	R	R
Ammonium Fluoride, 25%	NR	NR	Breeder Pellets (fish deriv.)	R	R	Chlorine Gas (Dry)	NR	NR
Ammonium Hydroxide	R	R	Bromic Acid	R	R	Chlorine Gas (Wet)	NR	NR
Ammonium Hydroxide, 10%	R	R	Bromine (Liquid)	NR	NR	Chlorine (Water)	R	R
Ammonium Hydroxide, 28%	R	R	Bromine (Vapor/25%)	R	R	Chloracetic Acid	R	NR
Ammonium Metaphosphate	R	R	Bromobenzene	NR	NR	Chlorobenzene	NR	NR
Ammonium Nitrate	R	R	Bromine Water	NR	NR	Chloroform	NR	NR
Ammonium Persulfate	R	R	Butadiene	NR	NR	Chloropicein	NR	NR
Ammonium Phosphate	R	R	Butane	NR	NR	Chlorosulfonic Acid	R	NR
						Clorox Bleach Solution	R	R

# CHEMICAL RESISTANCE GUIDE

## KEY:

R - Resistant NR - Not Recommended

REAGENT	TEMPERATURE		REAGENT	TEMPERATURE		REAGENT	TEMPERATURE	
	72°F	140°F		72°F	140°F		72°F	140°F
Chrome Alum	R	R	Ethyl Acetate	NR	NR	Gasoline, Jet Fuel, JP-5	R	R
Chromic Acid, 10%	R	R	Ethyl Acrylate	NR	NR	Glucose	R	R
Chromic Acid, 50%	NR	NR	Ethyl Alcohol	R	NR	Gas (Coke Oven)	NR	NR
Chromic/Nitric Acid, 15-35%	NR	NR	Ethyl Chloride	NR	NR	Glycerine	R	R
Chromic/Sulfuric/Water, 50/15/35	R	NR	Ethyl Ether	NR	NR	Glycolic Acid	R	R
Citric Acid	R	R	Ethylene Bromide	NR	NR	Grape Sugar	R	R
Coconut Oil Alcohol	R	R	Ethylene Chlorohydrin	NR	NR	Gulfpride No. 10 Oil	R	R
Coke Oven Gas	R	R	Ethylene Dichloride	NR	NR			
Copper Carbonate	R	R	Ethylene Glycol	NR	NR	<b>H</b>		
Copper Chloride	R	R	Ethylene Oxide	NR	NR	Heptane	R	NR
Copper Cyanide	R	R				Hexane	NR	NR
Copper Fluoride	R	R	<b>F</b>			Hexanol, Tertiary	R	NR
Copper Nitrate	R	R	Fatty Acids	R	R	Hydrobromic Acid, 20%	R	R
Copper Sulfate	R	R	Ferric Acetate	R	NR	Hydrochloric Acid, 10%	R	R
Corn Syrup	R	R	Ferric Chloride	R	R	Hydrochloric Acid, Conc	R	NR
Cottonseed Oil	R	R	Ferric Hydroxide	R	R	Hydrochloric Acid	R	NR
Cresol	NR	NR	Ferric Nitrate	R	R	Hydrochlorite	R	
Cresylic Acid, 50%	R	R	Ferric Sulfate	R	R	Hydrocyanic Acid	R	R
Crotonaldehyde	NR	NR	Ferrous Chloride	R	R	Hydrofluoric Acid, 48%	R	NR
Crude Oil	R	NR	Ferrous Nitrate	R		Hydrofluoric Acid, 50%	NR	NR
Cupric Fluoride	R	R	Ferrous Sulfate	R	R	Hydrofluoric Acid, 70%	NR	NR
Cupric Sulfate	R	R	Fish Solubles	R	R	Hydrofluorsilic Acid	R	R
Cuprous Chloride	R	R	Fluoboric Acid	R	R	Hydrogen	R	R
Cyclanones	R	R	Fluorine, Gas (Wet)	R	NR	Hydrogen Peroxide, 30%	R	R
Cyclohexanol	NR	NR	Fluorine Gas	NR	NR	Hydrogen Peroxide, 50%	R	R
Cyclohexanone	NR	NR	Fluorosilicic Acid, 25%	R	R	Hydrogen Peroxide, 90%	R	R
			Formaldehyde	R	NR	Hydrogen Phosphide	R	R
<b>D</b>			Formic Acid	R	NR	Hydrogen Sulfide	R	R
D.D.T. (Xylene Base)	NR	NR	Fructose	R	R	Hydroquinone	R	R
Detergents	R	R	Fruit Juices and Pulp	R	R	Hydroxylamine Sulfate	R	R
Dextrin	R	R	Furfural	NR	NR	Hypochlorene Acid	R	R
Dextrose	R	R	Freon 11	NR	NR	Hypochlorous Acid	R	R
Dizao Salts	R	R	Freon 12	R	R	Hydrazine (Anhydrous), 97%NR		NR
Dimethyl Hydrazine	NR	NR	Freon 21	NR	NR			
Dimethylamine	NR	NR	Freon 22	NR	NR	<b>I</b>		
Diethylphthalate	NR	NR	Freon 113	R	R	Iodine	NR	NR
Disodium Phosphate	R	R	Freon 114	R	R	Iodine Solution (10%)	R	NR
Distilled Water	R	R	Carene 500	NR	NR			
						<b>K</b>		
<b>E</b>			<b>G</b>			Kerosene	R	R
Esters	NR	NR	Gallic Acid	R	R	Keystones	NR	NR
Ethers	NR	NR	Gasoline	R	NR	Kraft Liquors	R	R
			Gasoline, High Octane	R				
			Gasoline, Jet Fuel, JP-4	R	R			

# CHEMICAL RESISTANCE GUIDE

**KEY:**

R - Resistant NR - Not Recommended

REAGENT	TEMPERATURE		REAGENT	TEMPERATURE		REAGENT	TEMPERATURE	
	72°F	140°F		72°F	140°F		72°F	140°F
<b>L</b>								
Lactic Acid, 25%	R	R	Methyl Sulfate	R	NR	Perchloric Acid, 15%	NR	NR
Lactic Acid, 80%	R	R	Methyl Sulfuric Acid	R	R	Perchloric Acid, 70%	NR	NR
Lard Oil	R	R	Milk	R	R	Petroleum Liquifier	R	R
Lauric Acid	R	R	Mineral Oils	R	R	Phenol	R	NR
Lauryl Chloride	R	R	Mixed Acids	R	R	Phenylhydrazine	NR	NR
Lead Acetate	R	R	Molasses	R	R	Phenylhydrazine Hydrochloride		
Lead Chloride	R	R	Muriatic Acid	R	R		NR	NR
Lead Nitrate	R	R	<b>N</b>					
Lead Sulfate	R	R	Naptha	R	NR	Phosgene, Liquid	NR	NR
Linoleic Acid	R	R	Napthalene	NR	NR	Phosgene, Gas	R	R
Linoleic Oil	R	NR	Natural Gas	R	R	Phosphoric Acid, 10%	R	R
Linseed Oi	R	R	Nickel Chloride	R	R	Phosphoric Acid, 25%	R	R
Liquers	NR	NR	Nickel Nitrate	R	R	Phosphoric Acid, 75%	R	R
Lithium Bromide	R	R	Nickel Sulphate	R	R	Phosphoric Acid, 85%	R	R
Lubricating Oil, ASTM No. 1	R	R	Nicotine	R	R	Phosphorus (Yellow)	R	NR
Lubricating Oil, ASTM No. 2	R	R	Nicotine Acid	R	R	Phosphorus Pentoxide	R	NR
Lubricating Oil, ASTM No. 3	R	NR	Nitric Acid, Anhydrous	NR	NR	Phosphorus Trichloride	NR	NR
Lux Liquid	R	R	Nitric Acid, 10%	R	NR	Photographic Solutions:		
<b>M</b>								
Machine Oil	R	R	Nitric Acid, 30%	R	NR	DK No. 3	R	R
Magnesium Carbonate	R	R	Nitric Acid, 60%	R	NR	Dektal Developer	R	R
Magnesium Chloride	R	R	Nitric Acid, 68%	NR	NR	Kodak Fixer	R	R
Magnesium Citrate	R	R	Nitrobenzene	NR	NR	Kodak Short Stop	R	R
Magnesium Hydroxide	R	R	Nitroglycerine	NR	NR	Picric Acid	NR	NR
Magnesium Nitrate	R	R	Nitrous Oxide	R	R	Potash (Sat. Aq.)	R	R
Magnesium Sulfate	R	R	Nitroglycol	NR	NR	Potassium Alum	R	R
Maleic Acid	R	R	<b>O</b>					
Malic Acid	R	R	Ocenol	R	R	Potassium Amyl Xanthate	NR	NR
Manganese Chloride	R	R	Oils and Fats	R	R	Potassium Bicarbonate	R	R
Manufactured Gas	R	R	Oils, Sour Crude	R	R	Potassium Bichromate	R	R
Mercuric Chloride	R	R	Oleic Acid	R	R	Potassium Bisulfate	R	R
Mercuric Cyanide	R	R	Oleum	NR	NR	Potassium Borate	R	R
Mercuric Sulfate	R	R	Oxalic Acid	R	R	Potassium Bromate	R	R
Mercurous Nitrate	R	R	Oxygen	R	R	Potassium Bromide	R	R
Mercury	R	R	Ozone	R	R	Potassium Carbonate	R	R
<b>P</b>								
Methylamine	NR	NR	Palmitic Acid, 10%	R	R	Potassium Chromate	R	R
Methyl Alcohol	R	R	Palmitic Acid, 70%	NR	NR	Potassium Chlorate	R	R
Methyl Chloride	NR	NR	Paraffin	R	R	Potassium Chloride	R	R
Methylene Chloride	NR	NR	Peracetic Acid, 40%	NR	NR	Potassium Chlorite	R	R
Methy Ethyl Ketone	NR	NR	Perchloric Acid, 10%	R	R	Potassium Chloride	R	R
Methyl Iso-butyl Ketone	NR	NR				Potassium Cyanide	R	R
						Potassium Dichromate	R	R
						Potassium Ethyl Xanthate	NR	NR
						Potassium Ferricyanide	R	R
						Potassium Ferrocyanide	R	R
						Potassium Fluoride	R	R
						Potassium Hydroxide	R	R
						Potassium Nitrate	R	R
						Potassium Perborate	R	R
						Potassium Perchlorate	R	R

# CHEMICAL RESISTANCE GUIDE

## KEY:

R - Resistant NR - Not Recommended

REAGENT	TEMPERATURE		REAGENT	TEMPERATURE		REAGENT	TEMPERATURE	
	72°F	140°F		72°F	140°F		72°F	140°F
Potassium Permanganate, 10%	R	R	Sodium Bicarbonate	R	R	Sulfurous Acid	R	R
Potassium Permanganate, 25% @125°	R		Sodium Bichromate	R	R	Sulfuric/Nitric (50/50) 69% 68%	NR	NR
Potassium Persulfate	R	R	Sodium Bisulfate	R	R	<b>T</b>		
Potassium Sulfate	R	R	Sodium Bisulfite	R	R	Tall Oil	R	R
Propane	R	R	Sodium Bromide	R	R	Tannic Acid	R	R
Propane Gas	R	R	Sodium Carbonate	R	R	Tanning Liquors	R	R
Propargyl Alcohol	R	R	Sodium Chlorate	R	R	Tartaric Acid	R	R
Propyl Alcohol	R	NR	Sodium Chloride	R	R	Tetraethyl Lead	R	NR
Propylene Dichloride	NR	NR	Sodium Chlorite	NR	NR	Tetrahydrofurane	NR	NR
Plating Solutions:			Sodium Cyanide	R	R	Thionyl Chloride	NR	NR
Brass	R	R	Sodium Dichromate	R	R	Tirpineol	R	
Cadmium	R	R	Sodium Ferricyanide	R	R	Titanium Tetrachloride	NR	NR
Copper	R	R	Sodium Ferrocyanide	R	R	Toluol or Toluene	NR	NR
Gold	R	R	Sodium Fluoride	R	R	Transformer Oil	R	R
Indium	R	R	Sodium Hydroxide, 10%	R	R	Tributyl Phosphate	NR	NR
Lead	R	R	Sodium Hydroxide, 30%	R	R	Trichloroethylene	NR	NR
Nickel	R	R	Sodium Hydroxide, 50%	R	R	Triethanolamine	R	NR
Rhodium	R	R	Sodium Hypochlorite	R	R	Trilones	NR	NR
Silver	R	R	Sodium Nitrate	R	R	Trimethyl Propane	R	R
Tin	R	R	Sodium Nitrite	R	R	Trisodium Phosphate	R	R
Zinc	R	R	Sodium Peroxide, 8750	R	R	Turpentine	NR	NR
Pyridine	NR	R	Sodium Perchlorate	R	R	Trimethylamine	NR	NR
Pyrogalllic Acid	R	NR	Sodium Sulfate	R	R	<b>U</b>		
<b>R</b>			Sodium Sulfide	R	R	Urea	R	R
Rayon Coagulating Bath	R	R	Sodium Sulfite	R	R	Urine	R	R
Rochelle Salts	R	R	Sour Crude Oil (West Texas)	R	R	<b>V</b>		
<b>S</b>			Stannic Chloride	R	R	Vinegar	R	R
Salicylic Acid	R	R	Starch	R	R	Vinyl Acetate	NR	NR
Sea Water	R	R	Stearic Acid	R	R	<b>W</b>		
Selenic Acid	R	R	Stoddards Solvent	NR	NR	Water, Acid Mine	R	R
Sewerage	R	R	Succinic Acid	R	R	Water, Deionized	R	R
Silicic Acid	R	R	Sulfur	R	R	Water, Demineralized	R	R
Silver Cyanide	R	R	Sulfur Dioxide, (Dry)	R	R			
Silver Nitrate	R	R	Sulfur Dioxide, (Wet)	NR	NR			
Silver Plating Solution	R	R	Sulfur Trioxide	R	R			
Silver Sulfate	R	R	Sulfuric Acid, 3%	R	R			
Soaps	R	R	Sulfuric Acid, 10%	R	R			
Sodium Acetate	R	R	Sulfuric Acid, 20%	R	R			
Sodium Alum	R	R	Sulfuric Acid, 33%	R	R			
Sodium Benzoate	R	R	Sulfuric Acid, 50%	R	R			
			Sulfuric Acid, 70%	R	R			
			Sulfuric Acid, 80%	NR	NR			
			Sulfuric Acid, 85%	NR	NR			
			Sulfuric Acid, 90%	NR	NR			
			Sulfuric Acid, 95%	NR	NR			

# PVC CROSS-REFERENCE CHART

## COUPLINGS

## 5° COUPLINGS

Size	Royal	Cantex	Heritage	Kraloy	T&B	Royal	Cantex	Heritage	Kraloy	T&B
1/2"	E010050	6141623	610000	CP05	E940D	--	--	--	--	--
3/4"	E010075	6141624	610001	CP07	E940E	--	--	--	--	--
1"	E010100	6141625	610002	CP10	E940F	--	--	--	--	--
1 1/4"	E010125	6141626	610003	CP12	E940G	--	--	--	--	--
1 1/2"	E010150	6141627	610004	CP15	E940H	--	--	--	--	--
2"	E010200	6141628	610005	CP20	E940J	E013200	6151457	--	5EC20	--
2 1/2"	E010250	6141629	610006	CP25	E940K	E013250	--	--	--	--
3"	E010300	6141630	610007	CP30	E940L	E013300	6151458	--	5EC30	--
3 1/2"	E010350	6141631	610008	CP35	E940M	E013350	--	--	--	--
4"	E010400	6141632	610009	CP40	E940N	E013400	6151459	--	5EC40	--
5"	E010500	6141633	610010	CP50	R940P	E013500	6151460	--	5EC50	--
6"	E010600	6141634	610011	CP60	E940R	E013600	6151461	--	5EC60	--
8"	E010800	6141635D	610386	CP80	--	--	--	--	--	--

## LONG LINE REPAIR COUPLINGS - NO STOP

## DEEP SOCKET LL REPAIR WITH STOP (SWEDGE)

Size	Royal	Cantex	Heritage	Kraloy	T&B	Royal	Cantex	Heritage	Kraloy	T&B
1"	E096100	6141702	--	--	--	--	--	--	--	--
1 1/2"	E096150	6141703	610390	--	E948H	--	--	--	--	--
2"	E096200	6203000	610391	--	E948JR	E098200	6201001	--	--	--
2 1/2"	E096250	6203002	610392	--	E948K	E098250	--	--	--	E442K
3"	E096300	6203005	610393	--	E948L6	E098300	--	--	--	--
4"	E096400	6203007	610395	--	E948N7	E098400	6201000	--	--	--
5"	E096500	6203009	610396	--	E948P	E098500	6151470	--	--	--
6"	E096600	6203010	610397	--	E948R10	E098600	6141720	--	--	E442R

## TERMINAL ADAPTERS

## FEMALE ADAPTERS

Size	Royal	Cantex	Heritage	Kraloy	T&B	Royal	Cantex	Heritage	Kraloy	T&B
1/2"	E011050	5140103	610030	TA05	E943D	E012050	5140043	610015	FA05	E942D
3/4"	E011075	5140104	610031	TA07	E943E	E012075	5140044	610016	FA07	E942E
1"	E011100	5140105	610032	TA10	E943F	E012100	5140045	610017	FA10	E942F
1 1/4"	E011125	5140106	610033	TA12	E943G	E012125	5140046	610018	FA12	E942G
1 1/2"	E011150	5140107	610034	TA15	E943H	E012150	5140047	610019	FA15	E942H
2"	E011200	5140108	610035	TA20	E943J	E012200	5140048	610020	FA20	E942J
2 1/2"	E011250	5140109	610036	TA25	E943K	E012250	5140049	610021	FA25	E942K
3"	E011300	5140110	610037	TA30	E943L	E012300	5140050	610022	FA30	E942L
3 1/2"	E011350	5140111	610038	TA35	E943M	E012350	5140051	610023	FA35	E942M
4"	E011400	5140112	610039	TA40	E943N	E012400	5140052	610024	FA40	E942N
5"	E011500	5140113	610040	TA50	E943P	E012500	5140053	610025	FA50	E942P
6"	E011600	5140114	610041	TA60	R943R	E012600	5140054	610026	FA60	E942R



# PVC CROSS-REFERENCE CHART

## EXPANSION JOINT

Size	Royal	Cantex	Heritage	Kraloy	T&B
1/2"	E016050	5144031	610274	EJ05	E945D
3/4"	E016075	5144032	610275	EJ07	E945E
1"	E016100	5144033	610276	EJ10	E945F
1 1/4"	E016125	5144034	610277	EJ12	E945G
1 1/2"	E016150	5144035	610278	EJ15	E945H
2"	E016200	5144036	610279	EJ20	E945J
2 1/2"	E016250	5144037	610280	EJ25	E945K
3"	E016300	5144038	610281	EJ30	E945L
3 1/2"	E016350	5144039	610282	EJ35	E945M
4"	E016400	5144040	610283	EJ40	E945N
5"	E016500	5144041	610284	EJ50	E945P
6"	E016600	5144042	610285	EJ60	E945R

## REDUCER BUSHINGS

Size	Royal	Cantex	Heritage	Kraloy	T&B
3/4 x 1/2	E0140705	5142220	610218	MR0705	E950ED
1 x 1/2	E0141005	5142230	610219	MR1005	E950FD-CAR
1 x 3/4	E0141007	5142221	610220	MR1007	E950FE
1 1/4 x 3/4	E0141207	--	610221	MR1207	E950GE-CAR
1 1/4 x 1	E0141210	5142222	610222	MR1210	E950GF
1 1/2 x 1	E0141510	5142251	610223	MR1510	E950HF-CAR
1 1/2 x 1 1/4	E0141512	5142223	610224	MR1512	E950HG-CAR
2 x 1	E0142010	--	610225	MR2010	--
2 x 1 1/4	E0142012	--	610226	MR2012	E950JG-CAR
2 x 1 1/2	E0142015	5142224	610227	MR2015	E950JH-CAR
2 1/2 x 2	E0142520	5142225	610228	MR2520	E950KJ-CAR
3 x 2	E0143020	5140867	610229	MR3020	E950LJ-CAR
3 x 2 1/2	E0143025	5142226	--	MR3025	E950LK
4 x 2	E0144020	--	--	MR4020	--
4 x 3	E0144030	5142227	310232	MR4030	E950NL
4 x 3 1/2	E0144035	5142229	--	MR4035	--

## STRAIN RELIEF CONNECTOR

Size	Royal	Cantex	Heritage	Kraloy	T&B
3/4"	E030075	--	--	SRCU07	--

## THREADED STRAIN RELIEF CONNNECTOR

Size	Royal	Cantex	Heritage	Kraloy	T&B
1/2"	E031050	5133430	--	TSRCU05	--
3/4"	E031075	5133431	--	TSRCU07	--

## EXPANSION JOINT WITH TERMINAL ADAPTER

Size	Royal	Cantex	Heritage	Kraloy	T&B
2" x 4" travel	E016200TA	--	--	EJ35TA	--
2 1/2" x 8" travel	E016250TA	--	--	EJ40TA	E945KX
3" x 8" travel	E016300TA	--	--	EJ45TA	E945LX
4" x 8" travel	E016400TA	--	--	EJ55TA	E945NX

## SERVICE ENTRANCE FITTINGS

Size	Royal	Cantex	Heritage	Kraloy	T&B
1/2"	E025050	5133590	610310	MH05	E998D
3/4"	E025075	5133591	610311	MH07	E998E
1"	E025100	5133741	610312	MH10	E998F
1 1/4"	E025125	5133742	610313	MH12	E998G
1 1/2"	E025150	5133695	610314	MH15	E998H
2"	E025200	5133743	610315	MH20	E998J
2 1/2"	E025250	5133696	610316	MH25	E998K
3"	E025300	5133697	610317	MH30	E998L
3 1/2"	E025350	5133698	610318	MH35	--
4"	E025400	5133699	610319	MH40	E998N

## JUNCTION BOX WITH GASKET

Size	Royal	Cantex	Heritage	Kraloy	T&B
4 x 4 x 2	E051442	5133705	610242	JB442	E989NNJ
4 x 4 x 4	E051444	5133709	610243	JB444	E987N
4 x 4 x 6	E051446	5133707	610244	JB446	E989NNR
5 x 5 x 2	E051552	5133706	610245	JB552	E989PPJ
6 x 6 x 4	E051664	5133710	610246	JB664	E987R
6 x 6 x 6	E051666	5133711	610247	JB666	E989RRR
8 x 8 x 4	E051884	5133712	610248	JB884	E989N
8 x 8 x 7	E051887	5133708	610249	JB887	E989SSX
12 x 12 x 4	E05112124	5133714	610250	JB12124	E989UUN
12 x 12 x 6	E05112126	5133713	610251	JB12126	E989UPC
12 x 12 x 8	E05112128	--	610252	JB12128	--

## PULL ELBOW

Size	Royal	Cantex	Heritage	Kraloy	T&B
1/2"	E027050	5240100	610306	PULEL0705	E990D
3/4"	E027075	5240101	610306	PULEL0705	E990E

## METER OFFSET

Size	Royal	Cantex	Heritage	Kraloy	T&B
1 1/4"	E024125	5133183	610404	MO12	E995G
2"	E024200	5133185	610405	MO20	E995J

# PVC CROSS-REFERENCE CHART

## SCH 40 90° STD. RADIUS ELBOWS - PLAIN END

## SCH 40 90° STD. RADIUS ELBOWS - BELL END

Size	Royal	Cantex	Heritage	Kraloy	T&B	Royal	Cantex	Heritage	Kraloy	T&B
1/2"	E018050	5133823	611000	40STD0590	UA9AD	E021050	5233823	611056	B40STD0590	UA9ADB
3/4"	E018075	5133824	611001	40STD0790	UA9AE	E021075	5233824	611057	B40STD0790	UA9AEB
1"	E018100	5133825	611002	40STD1090	UA9AFR	E021100	5233825	611058	B40STD1090	UA9AFB
1 1/4"	E018125	5133826	611003	40STD1290	UA9AG	E021125	5233826	611059	B40STD1290	UA9AGB
1 1/2"	E018150	5133827	611004	40STD1590	UA9AH	E021150	5233827	611060	B40STD1590	UA9AHB
2"	E018200	5133828	611005	40STD2090	UA9AJ	E021200	5233828	611061	B40STD2090	UA9AJB
2 1/2"	E018250	5133829	611006	40STD2590	UA9AK	E021250	5233829	611062	B40STD2590	UA9AKB
3"	E018300	5133830	611007	40STD3090	UA9AL	E021300	5233830	611063	B40STD3090	UA9ALB
3 1/2"	E018350	5133831	611008	40STD3590	UA9AM	E021350	5233831	611064	B40STD3590	UA9AMB
4"	E018400	5133832	611009	40STD4090	UA9AN	E021400	5233832	611065	B40STD4090	UA9ANB
5"	E018500	5133835	611010	40STD5090	UA9AP	E021500	5233835	611066	B40STD5090	UA9APB
6"	E018600	5133834	611011	40STD6090	UA9AR	E021600	5233834	611067	B40STD6090	UA9ARB

## SCH 40 45° STD. RADIUS ELBOWS - PLAIN END

## SCH 40 45° STD. RADIUS ELBOWS - BELL END

Size	Royal	Cantex	Heritage	Kraloy	T&B	Royal	Cantex	Heritage	Kraloy	T&B
1/2"	E019050	5133763	611014	40STD0545	UA7AD	E022050	5233763	611069	B40STD0545	UA7ADB
3/4"	E019075	5133764	611015	40STD0745	UA7AE	E022075	5233764	611070	B40STD0745	UA7AEB
1"	E019100	5133765	611016	40STD1045	UA7AF	E022100	5233765	611071	B40STD1045	UA7AFB
1 1/4"	E019125	5133766	611017	40STD1245	UA7AG	E022125	5233766	611072	B40STD1245	UA7AGB
1 1/2"	E019150	5133767	611018	40STD1545	UA7AH	E022150	5233767	611073	B40STD1545	UA7AHB
2"	E019200	5133768	611019	40STD2045	UA7AJ	E022200	5233768	611074	B40STD2045	UA7AJB
2 1/2"	E019250	5133769	611020	40STD2545	UA7AK	E022250	5233769	611075	B40STD2545	UA7AKB
3"	E019300	5133770	611021	40STD3045	UA7AL	E022300	5233770	611076	B40STD3045	UA7ALB
3 1/2"	E019350	5133771	611022	40STD3545	UA7AM	E022350	5233771	611077	B40STD3545	UA7AMB
4"	E019400	5133772	611023	40STD4045	UA7AN	E022400	5233772	611078	B40STD4045	UA7ANB
5"	E019500	5133773	611024	40STD5045	UA7AP	E022500	5233773	611079	B40STD5045	UA7APB
6"	E019600	5133774	611025	40STD6045	UA7AR	E022600	5233774	611080	B40STD6045	UA7ARB

## SCH 40 30° STD. RADIUS ELBOWS - PLAIN END

## SCH 40 30° STD. RADIUS ELBOWS - BELL END

Size	Royal	Cantex	Heritage	Kraloy	T&B	Royal	Cantex	Heritage	Kraloy	T&B
1/2"	E020050	5133755	611028	40STD0530	UA6AD	E072050	--	611083	--	UA6ADB
3/4"	E020075	5133744	611029	40STD0730	UA6AE	E072075	--	611084	--	UA6AEB
1"	E020100	5133745	611030	40STD1030	UA6AF	E072100	--	611085	--	UA6AFB
1 1/4"	E020125	5133746	611031	40STD1230	UA6AG	E072125	--	611086	--	UA6AGB
1 1/2"	E020150	5133747	611032	40STD1530	UA6AH	E072150	--	611087	--	UA6AHB
2"	E020200	5133748	611033	40STD2030	UA6AJ	E072200	5233748	611088	--	UA6AJB
2 1/2"	E020250	5133749	611034	40STD2530	UA6AK	E072250	--	611089	--	UA6AKB
3"	E020300	5133750	611035	40STD3030	UA6AL	E072300	5233750	611090	--	UA6ALB
3 1/2"	E020350	5133751	611036	40STD3530	UA6AM	E072350	5233751	611091	--	UA6AMB
4"	E020400	5133775	611037	40STD4030	UA6AN	E072400	5233776	611092	--	UA6ANB
5"	E020500	5133753	611038	40STD5030	UA6AP	E072500	5233753	611093	--	UA6APB
6"	E020600	5133754	611039	40STD6030	UA6AR	E072600	5233754	611094	--	UA6ARB

# PVC CROSS-REFERENCE CHART

## SCH 80 90° STD. RADIUS ELBOWS - PLAIN END

## SCH 80 45° STD. RADIUS ELBOWS - PLAIN END

Size	Royal	Cantex	Heritage	Kraloy	T&B	Royal	Cantex	Heritage	Kraloy	T&B
1/2"	E085050	5121053	680000	80STD0590	U89AD	E086050	5121003	680014	80STD0545	U87AD
3/4"	E085075	5121054	680001	80STD0790	U89AE	E086075	5121004	680015	80STD0745	U87AE
1"	E085100	5121055	680002	80STD1090	U89AFR	E086100	5121005	680016	80STD1045	U87AF
1 1/4"	E085125	5121056	680003	80STD1290	U89AG	E086125	5121006	680017	80STD1245	U87AG
1 1/2"	E085150	5121057	680004	80STD1590	U89AH	E086150	5121007	680018	80STD1545	U87AH
2"	E085200	5121058	680005	80STD2090	U89AJ	E086200	5121008	680019	80STD2045	U87AJ
2 1/2"	E085250	5121059	680006	80STD2590	U89AK	E086250	5121009	680020	80STD2545	U87AK
3"	E085300	5121060	680007	80STD3090	U89AL	E086300	5121010	680021	80STD3045	U87AL
3 1/2"	--	5121068	680008	80STD3590	U89AM	----	680022	80STD3545	--	
4"	E085400	5121061	680009	80STD4090	U89AN	E086400	5121011	680023	80STD4045	U87AN
5"	E085500	5121062	680010	80STD5090	U89AP	E086500	5121012	680024	80STD5045	U87AP
6"	E085600	5121063	680011	80STD6090	U89AR	E086600	5121013	680025	80STD6045	U87AR

## SINGLE GANG BOX F SERIES

## DOUBLE GANG BOX F SERIES

Size	Royal	Cantex	Heritage	Kraloy	T&B	Royal	Cantex	Heritage	Kraloy	T&B
1/2" FS	E042001	5133363	610117	FSE05	E980DFN	E041001	5133380	610139	FSE-2-05-U	E9802D
3/4" FS	E042002	5133364	610118	FSE07	E980EFN	E041002	5133381	610140	FSE-2-07-U	E9802E
1" FS	--	5133365	610119	--	E980FFN	E041003	5133382	610141	FSE-2-10-U	E9802F
1/2" FSS	E042003	5133540	610122	FSS05	E982DFN	E041004	5133390	610144	FSS-2-05-U	--
3/4" FSS	E042004	5133542	610123	FSS07	E982EFN	E041005	5133391	610145	FSS-2-07-U	--
1" FSS	--	5133543	610124	--	E982FFN	E041006	5133392	610146	FSS-2-10-U	--
1/2" FSC	E042005	5133463	610127	FSC05	E981DFN	E041007	5133370	610149	FSC-2-05-U	E9812D
3/4" FSC	E042006	5133464	610128	FSC07	E981EFN	E041008	5133371	610150	FSC-2-07-U	E9812E
1" FSC	--	5133465	610129	--	E981FFN	E041009	5133372	610151	FSC-2-10-U	E9812F
1/2" FSCC	E042007	5133544	610131	FSCC05	E979DFN	E041011	5133400	610154	FSCC-2-05-U	--
3/4" FSCC	E042008	5133545	610132	FSCC07	E979EFN	E041012	5133401	610155	FSCC-2-07-U	--
1" FSCC	--	5133546	610133	--	E979FFN	E041013	5133402	610156	FSCC-2-10-U	--
Blank	--	--	--	--	--	E041010	--	610158	FD-2-U	E9802CN

## SINGLE GANG WEATHER PROOF COVER PLATES

## DOUBLE GANG WEATHER PROOF COVER PLATES

Size	Royal	Cantex	Heritage	Kraloy	T&B	Size	Royal	Cantex	Heritage	Kraloy	T&B
Toggle w/cover	E047002	5133330	610166	VSC15/10	E98TSCN	A. GFI & Toggle	E049005	5133345	610197	VSRC20-2-U	E9G2GTN
Plunger w/cover	E047008	5133335	610184	VPT15/10	--	B. Duplex & Toggle	E049006	5133337	610196	VSDR20-2-U	E9G2DSN
Switch	E047009	5133361	610177	WTG15/10	E98SSCN	C. Double Duplex	E049007	5133347	610195	VSDD20-2	E9G2DDN
Duplex	E047001	5133352	610178	WDR15/10	E98GDRN	D. Double Toggle	E049008	5133331	610189	VSC20-2-U	E9G2SSN
Ground Fault	E047007	5133348	610179	WGF15/10	E98GFCN	E. Blank	E049009	5133410	610193	BRC20-2-U	E9802CN
15 AMP	E047003	5133350	610182	WTL15	E98SRCN						
20 AMP	E047004	5133320	610183	WTL20	E98G20N						
30 AMP	E047005	5133321	610180	WTL30	E98G30N						
50 AMP	E047006	5133322	610181	WTL50	E98G5FN						

## VINYL SIDING ELECTRICAL MOUNTS

Type	Royal	Arlington
Electrical	10000	8091FC
Standard	13000	8141
Flush	17000	--
LG Coach	41000	--
Meterbase	42000	MM18
Mini Mount	43000	--
Recessed Mini	44000	--

# PVC CROSS-REFERENCE CHART

## ACCESS FITTINGS - TYPE C

Size	Royal	Cantex	Heritage	Kraloy	T&B	Royal	Cantex	Heritage	Kraloy	T&B
1/2"	E032050	5133101	610093	C05	E987D	E036050	5133151	610105	E05	E988D
3/4"	E032075	5133102	610094	C07	E987E	E036075	5133152	610106	E07	E988E
1"	E032100	5133103	610095	C10	E987F	E036100	5133153	610107	E10	E988F
1 1/4"	E032125	5133104	610096	C12	E987G	E036125	5133154	610108	E12	E988G
1 1/2"	E032150	5133105	610097	C15	E987H	E036150	5133155	610109	E15	E988H
2"	E032200	5133106	610098	C20	E987J	E036200	5133156	610110	E20	E988J
2 1/2"	E032250	5133108	610099	C25	--	E036250	5133157	610111	E25	--
3"	E032300	5133107	610100	C30	--	E036300	5133158	610112	E30	--
3 1/2"	E032350	5133110	610101	C35	--	E036350	5133160	610113	E35	--
4"	E032400	5133109	610102	C40	--	E036400	5133159	610114	E40	--

## ACCESS FITTINGS - TYPE E

## ACCESS FITTINGS - TYPE LB

Size	Royal	Cantex	Heritage	Kraloy	T&B	Royal	Cantex	Heritage	Kraloy	T&B
1/2"	E033050	5133663	610045	LB05	E986D	E034050	5133660	610057	LL05	E984D
3/4"	E033075	5133664	610046	LB07	E986E	E034075	5133661	610058	LL07	E984E
1"	E033100	5133665	610047	LB10	E986F	E034100	5133662	610059	LL10	E984F
1 1/4"	E033125	5133666	610048	LB12	E986G	E034125	5133649	610060	LL12	E984G
1 1/2"	E033150	5133667	610049	LB15	E986H	E034150	5133648	610061	LL15	E984H
2"	E033200	5133668	610050	LB20	E986J	E034200	5133647	610062	LL20	E984J
2 1/2"	E033250	5133669	610051	LB25	E986K	E034250	5133644	610063	LL25	--
3"	E033300	5133670	610052	LB30	E986L	E034300	5133646	610064	LL30	--
3 1/2"	E033350	5133671	610053	LB35	E986M	E034350	5133640	610065	LL35	--
4"	E033400	5133672	610054	LB40	E986N	E034400	5133645	610066	LL40	--

## ACCESS FITTINGS - TYPE LL

## ACCESS FITTINGS - TYPE LR

Size	Royal	Cantex	Heritage	Kraloy	T&B	Royal	Cantex	Heritage	Kraloy	T&B
1/2"	E035050	5133650	610069	LR05	E985D	E037050	5133563	610081	T05	E983D
3/4"	E035075	5133651	610070	LR07	E985E	E037075	5133564	610082	T07	E983E
1"	E035100	5133652	610071	LR10	E985F	E037100	5133565	610083	T10	E983F
1 1/4"	E035125	5133653	610072	LR12	E985G	E037125	5133566	610084	T12	E983G
1 1/2"	E035150	5133654	610073	LR15	E985H	E037150	5133567	610085	T15	E983H
2"	E035200	5133655	610074	LR20	E985J	E037200	5133568	610086	T20	E983J
2 1/2"	E035250	5133658	610075	LR25	--	E037250	5133569	610087	T25	--
3"	E035300	5133656	610076	LR30	--	E037300	5133570	610088	T30	--
3 1/2"	E035350	5133659	610077	LR35	--	E037350	5133572	610089	T35	--
4"	E035400	5133657	610078	LR40	--	E037400	5133571	610090	T40	--

## ACCESS FITTINGS - TYPE T

## ENT SLAB BOX WITH HUB EXTENSIONS AND GREY LID

## ENT SLAB BOX WITH KNOCKOUTS AND GREY LID

Size	Royal	Cantex	Heritage	Kraloy	T&B	Royal	Cantex	Heritage	Kraloy	T&B
1/2 (8)	RSMB-H-10	ENS0500C	--	SMB-H-10	--	RSMB-10	ENS050K	--	SMB-10	--
1/2 (4) 3/4 (4)	RSMB-H-10-15	ENS0507C	--	SMB-H-10/15	--	RSMB-10-15	ENS0507K	--	--	--
1/2 (4) 3/4 (2) 1 (2)	RSMB-H-10-15-20	--	--	SMB-H-10/20	--	RSMB-10-15-20	--	--	SMB-10/20	--
1/2 (4) 1 (4)	RSMB-H-10-20	--	--	--	--	--	--	--	--	--
3/4 (8)	RSMB-H-15	--	--	SMB-H-15	--	RSMB-15	--	--	--	--
3/4 (4) 1 (4)	RSMB-H-15-20	--	--	SMB-H-15/20	--	RSMB-15-20	--	--	--	--

# PVC CROSS-REFERENCE CHART

## ENT SHALLOW SLAB BOX

Size	Royal	Cantex	Kraloy	T&B
1/2 (8)	RSMBS-H-10	--	SMBS-H-10	--
1/2 (4) 3/4 (4)	RSMBS-H-10-15	--	SMBS-H-10/15	--
1/2 (4) 3/4 (2) 1 (2)	RSMBS-H-10-15-20	--	SMBS-H-10/20	--
1/2 (4) 1 (4)	RSMBS-H-10-20	--	--	--
3/4 (8)	RSMBS-H-15	--	SMBS-H-15	--
3/4 (4) 1 (4)	RSMBS-H-15-20	--	SMBS-H-15/20	--

## ENT SQUARE SLAB BOX

Size	Royal	Cantex	Kraloy	T&B
1/2 (8)	RSSB-H-10	EN31DB	SSBH-10	A238
1/2 (4) 3/4 (4)	RSSB-H-10-15	EN31DB	SSBH-10/15	A238
1/2 (4) 3/4 (2) 1 (2)	RSSB-H-10-15-20	--	SSBH-10/20	A238
1/2 (4) 1 (4)	RSSB-H-10-20	--	--	A238
3/4 (8)	RSSB-H-15	EN31DB	SSBH-15	A238
3/4 (4) 1 (4)	RSSB-H-15-20	--	SSBH-15/20	A238
Divider Plate	RSSB-H-DC	--	--	A238DIV

## ENT DEEP SINGLE GANG CONCRETE WALL BOX

Size	Royal	Cantex	Kraloy	T&B
1/2 (8)	RSVDB-H-10	--	--	--
1/2 (4) 3/4 (4)	RSVDB-H-10-15	--	SVDB-H-10/15	--
1/2 (4) 3/4 (2) 1 (2)	RSVDB-H-10-15-20	--	SVDB-H-10/20	--
1/2 (4) 1 (4)	RSVDB-H-10-20	--	--	--
3/4 (8)	RSVDB-H-15	--	SVDB-H-15-20	--
3/4 (4) 1 (4)	RSVDB-H-15-20	--	SVDB-H-15-20	--

## ENT SHALLOW SINGLE GANG CONCRETE WALL BOX

Size	Royal	Cantex	Kraloy	T&B
1/2"	RSVSB-H-10	--	SVSB-H-10	--
3/4"	RSVSB-H-15	--	SVSB-H-15	--
1"	RSVSB-H-20	--	--	--

## ENT COUPLINGS

Size	Royal	Cantex	Kraloy	T&B
1/2"	RKTC10	5163380	KC10	A240D
3/4"	RKTC15	5163381	KC15	A240E
1"	RKTC20	5163382	KC20	A240F
1 1/4"	RKTC25	--	KC25	--
1 1/2"	RKTC30	--	KC30	--
2"	RKTC35	--	KC35	--

## ENT THREADED TERMINAL ADAPTER W/ LOCK NUT

Size	Royal	Cantex	Kraloy	T&B
1/2"	RKTA10	5163415	KTA10	--
3/4"	RKTA15	5163416	KTA15	--
1"	RKTA20	5163417	KTA20	--
1 1/4"	RKTA25	--	KTA25	--
1 1/2"	RKTA30	--	KTA30	--
2"	RKTA35	--	KTA35	--

## ENT ADAPTERS WITH SET SCREW

Size	Royal	Cantex	Kraloy	T&B
1/2"	RKTC10	--	KTC10	A245D
3/4"	RKTC15	--	KTC15	A245E
1"	RKTC20	--	KTC20	A245F
1 1/4"	RKTC25	--	--	--
1 1/2"	RKTC30	--	--	--
2"	RKTC35	--	--	--

## EMT TO ENT SNAP CONNECTOR

Size	Royal	Cantex	Kraloy	T&B
1/2"	RKTS10	5163405	KTS10	A253D
3/4"	RKTS15	5163406	KTS15	A253E
1"	RKTS20	5163407	KTS20	A253F
1 1/4"	--	--	--	--
1 1/2"	--	--	--	--
2"	--	--	--	--

## ENT TUBING COILS BLUE

Size	Royal	Cantex	Kraloy	T&B
1/2"	EC005200BL	A51AEB1	012031	12005-200
3/4"	EC007100BL	A51AGA1	012040	12007-100
1"	EC010100BL	A51BAA1	012041	12008-100
1 1/4"	EC012350BL	--	012046	--
1 1/2"	EC015300BL	--	012032	--
2"	EC020250BL	--	012043	--

## ENT TUBING REELS BLUE

Size	Royal	Cantex	Kraloy	T&B
1/2"	ER0051500BL	A51AEQ1	012002	12005AK-001
3/4"	ER0071000BL	A51AGJ1	012011	12007AA-001
1"	ER0101000BL	A51BAJ1R	012021	12008-750
1 1/4"	ER0121000BL	--	012047	12009-750
1 1/2"	ER015750BL	--	012033	12010-750
2"	ER020500BL	--	012044	12011-500

## ENT TUBING STRAIGHT LENGTH BLUE

Size	Royal	Cantex	Kraloy	T&B
1/2"	ES00510BL	A51AE11	012001	12005-UPC
3/4"	ES00710BL	A51AG11	012010	12007-UPC

## ENT TUBING STRAIGHT LENGTH BLUE

Size	Royal	Cantex	Kraloy	T&B
1"	ES01010BL	A51BA11	012034	12008-010

## MUNICIPAL, PLUMBING & INDUSTRIAL SOLUTIONS

Royal Building Products is a leader in PVC pipe and fittings systems. We maintain a broad portfolio of municipal, plumbing, and industrial products. These products are designed and tested to the same extremes as our electrical products so that you are guaranteed a quality product.

### MUNICIPAL SOLUTIONS

- Gasketed and solvent weld pipe and fittings
- SDR 35 and SDR 26 Heavy Wall
- IPS, CIOD sizes
- Pressure or sewer

#### APPLICATIONS

- Surface area drainage
- Lateral connections to municipal sewers
- Septic fields
- Potable water supply



84

### PLUMBING AND INDUSTRIAL SOLUTIONS

- Solvent weld pipe and fittings
- SDR 35 and SDR 26 Heavy Wall
- Drain, Waste, Vent (DWV)
- Triple Certification Listing
- Largest injection molded offering in the industry
- Over 40% more profiles

#### APPLICATIONS

- Septic fields
- Venting systems
- Drainage
- Sewer connections
- Industrial process lines





## POLICY AND TERMS

### CLAIMS POLICY.

Discrepancy claims must be reported within two business days of receipt of order.

### FREIGHT POLICY.

Freight is prepaid for orders totaling \$1,500 net or greater. Some items are special order and may not qualify for prepaid freight. Prepaid freight applies to a single shipment to one destination within the continental United States.

### MINIMUM ORDER POLICY.

A minimum order of \$100 net is required.

### NON-STOCK PRODUCT POLICY.

Non-stock product is considered special order and is non-cancelable and non-returnable.

### STANDARD PAYMENT TERMS.

Payment Terms are 2% 30 net 45 days.

### RETURN GOODS POLICY.

All returns must be approved by Royal Building Products and accompanied by a return goods authorization number issued by Royal. A minimum restocking fee of 25% will apply to all returned goods. The shipper is responsible for return freight.

## PLASTIC TRENDS, INC. DBA ROYAL BUILDING PRODUCTS

### TERMS AND CONDITIONS OF SALE

ALL ORDERS ARE ACCEPTED AND ALL SALES ARE EXPRESSLY MADE CONDITIONAL ON PURCHASER'S AGREEMENT TO THESE TERMS AND CONDITIONS NOTWITHSTANDING ANY PURCHASE ORDERS OR OFFERS CONTAINING DIFFERENT OR ADDITIONAL PROVISIONS. PURCHASER'S ACCEPTANCE OF GOODS CONSTITUTES ACCEPTANCE OF THESE TERMS AND CONDITIONS AND ALSO PURCHASER'S AGREEMENT THAT THEY CONTROL OVER ANY TERMS, CORRESPONDENCE OR FORMS SUPPLIED BY PURCHASER AT ANY TIME.

**ACCEPTANCE/CANCELLATION.** Orders cannot be cancelled by Purchaser without Seller's written consent. These Terms and Conditions are a final, complete and exclusive statement of the parties' agreement. No statements or changes of any kind or any conflicting terms or conditions in any writing by Purchaser to Seller are binding on Seller unless specifically agreed to in writing by Seller. Prior statements, representations, and agreements not incorporated are excluded and superseded hereby. No course of prior dealings between Seller and Purchaser and no usage of trade shall be used to supplement any term in this agreement. Acceptance or acquiescence in a course of performance shall not be relevant to alter the meaning of this agreement.

**MODIFICATIONS MUST BE IN WRITING.** These Terms and Conditions shall not be modified or rescinded by agreement or conduct or waived unless specifically agreed to in writing by Seller. The amount of any present or future sales, use, excise, or similar taxes, applicable to the ordered goods shall be added to Seller's price and paid by the Purchaser, unless the Purchaser timely provides Seller with a tax exemption certificate applicable to Seller.

**SHIPMENT/DELIVERY.** Seller shall not be liable for any penalty or damages, liquidated or otherwise for any shipment delays. Goods are shipped F.O.B. shipping point only; and all loss, damage and delay in transit are at the risk of the Purchaser. When

goods have been delivered to a carrier, risk of loss passes to Purchaser and Seller's responsibility for delivery ends. Shipment should be examined carefully before being accepted from the carrier. Seller assumes no responsibility for damage after having received in good order receipts from a carrier at shipping point. Claims for shortages or non-conforming shipments must be made in writing and sent to Seller immediately upon Purchaser's receipt of the shipment. Failure to give such notice shall be deemed unqualified acceptance and a waiver by Purchaser of any claim with respect to the Shipment.

**TITLE TO GOODS.** Purchaser acknowledges and agrees that until payment in full of the amount shown on this invoice is received by Seller, title to the goods shall remain with Seller, whether or not the goods are in the Sellers possession and whether or not they have been fabricated or used by the Purchaser. Until such payment has been made, Seller shall have the right to at any time without notice to enter the premises where the goods are situated and take possession of the same, and the Purchaser agrees to defend, indemnify and save Seller harmless from any and all costs, expenses and damages (including legal fees) arising out of any claim asserted against the Seller as a consequence to the Sellers exercise of such right.

**INSURANCE.** The Purchaser agrees to keep the goods fully insured against loss and damage which insurance shall be placed with insurance companies for the benefit of the Seller and the proceeds of any such insurance shall, at the option of the Seller, be applied to the payment due or becoming due at the time of such payment or applied toward the replacement of the goods and if the goods shall be replaced, then, and in such event the terms, provisions and conditions of this agreement shall apply to such replaced products with the same force and effect as if such replacement products had originally been the subject of this agreement.

**DEFAULT.** That if the Purchaser shall make default in punctually paying any of the payments provided

for in this agreement, or if a proceeding in bankruptcy, receivership or insolvency shall be instituted or filed by or against the Purchaser as a debtor, bankrupt, defendant or insolvent or if the Purchaser shall enter into any arrangement or agreement with its creditors, the full amount of the purchase price then remaining unpaid shall, at the option of the Seller be immediately due and payable, anything to the contrary in this agreement notwithstanding, it being expressly agreed that the title in the goods shall vest in the Purchaser only on the payment of the full purchase price and on the compliance by the Purchaser with the terms and conditions of this agreement.

**RETURNS.** Unless its permission has been first obtained, Seller will not accept goods for return or credit. Risk of loss for returned goods will remain with Purchaser and Purchaser shall reimburse Seller for any cost it incurs in connection with the shipment and return of the goods. Goods fabricated to order are not returnable under any circumstances except for approved warranty claim.

**NON-PAYMENT/ ENFORCEMENT.** Interest at the maximum legal rate not exceeding 18% per year shall be charged on overdue accounts at a rate of 1.5% per month. If an invoice is not paid when due, or it becomes necessary for Seller to enforce these terms and conditions, Purchaser agrees to pay all costs of collection, or enforcement or both, including attorney's fees, whether incurred in or out of court, or appeal, in arbitration, in a bankruptcy proceeding, or in any insolvency proceedings.

**PENALTY CLAUSES.** Seller assumes no liability arising from penalty or liquidated damage clauses of any kind, written or implied.

**LIMITED WARRANTY/SOLE REMEDY.**

EXCEPT AS OTHERWISE PROVIDED IN A WRITTEN WARRANTY ISSUED BY SELLER, SELLER WARRANTS TITLE TO THE GOODS SOLD BY IT AND THAT THESE GOODS CONFORM TO THE DESCRIPTION CONTAINED HEREIN AND ARE OF

# TERMS AND CONDITIONS

MERCHANTABLE QUALITY, SELLERS ENTIRE LIABILITY IS LIMITED TO THE PURCHASE PRICE OF THE GOODS IN RESPECT OF WHICH A CLAIM IS MADE AND COSTS OF TRANSPORT. PURCHASER ASSUMES ALL RISK OF LOSS AND LIABILITY RESULTING FROM THE USE OR SALE OF ANY GOODS DELIVERED HEREUNDER. IF GOODS SOLD TO PURCHASER FAIL TO CONFORM TO THIS LIMITED WARRANTY, PURCHASER MUST GIVE SELLER WRITTEN NOTICE OF SUCH NONCONFORMANCE (A) WITHIN 30 DAYS OF THE TIME WHEN DEFECT WAS OR SHOULD HAVE BEEN DISCOVERED, BUT (B) NOT LATER THAN THREE MONTHS FROM RECEIPT OF THE GOODS, OR PURCHASER WAIVES ANY RIGHTS WITH RESPECT TO THE GOODS. AFTER WRITTEN NOTICE, AND PURCHASERS RETURN OF GOODS PROVEN DEFECTIVE TO SELLER, SELLER WILL REPLACE THE DEFECTIVE GOODS OR, IN SELLERS SOLE DISCRETION, REFUND THE PURCHASE PRICE OF SUCH PORTION OF THE GOODS AS ARE RENDERED UNUSABLE AS A RESULT OF SUCH DEFECT. SELLER MAY MODIFY AT ANY TIME DESIGN OF PRODUCTS OR MATERIALS USED THEREIN OR DISCONTINUE THEIR MANUFACTURE WITHOUT ANY LIABILITY. PURCHASER AGREES THAT THIS REMEDY IS THE SOLE AND EXCLUSIVE REMEDY OF THE PURCHASER WITH RESPECT TO THE GOODS. SELLERS ENTIRE LIABILITY ON ANY CLAIM ARISING OUT OF THE SALE OF THE GOODS OR ITS REPLACEMENT OF DEFECTIVE GOODS, WHETHER IN CONTRACT, WARRANTY, TORT (INCLUDING NEGLIGENCE AND STRICT LIABILITY) OR OTHERWISE, SHALL BE LIMITED TO THE PURCHASE PRICE OF THE GOODS THAT ARE PROVEN DEFECTIVE AND COSTS OF TRANSPORT. THIS WARRANTY DOES NOT EXTEND TO, AND IS VOIDED BY, GOODS DAMAGED OR FAILED BECAUSE OF, OR BY USE WITH, MATERIALS OR SUPPLIES OR METHODS NOT APPROVED BY SELLER OR OTHER APPLICABLE INSTALLATION STANDARD OR CODE; OR BECAUSE OF MISUSE; ABUSE; ACCIDENT DAMAGE IN TRANSIT; IMPROPER HANDLING OR INSTALLATION NOT IN ACCORDANCE WITH RECOMMENDED PRACTICES OR CODES; OR RESULTING CONSEQUENCES. MOLD, WELD OR FUSION LINES ARE NOT DEFECTS OR NON-CONFORMITIES.

EXCLUSIONS OF WARRANTY AND LIMITATION OF LIABILITY AND REMEDIES. SELLER MAKES NO WARRANTY OTHER THAN THE ABOVE LIMITED SOLE AND EXCLUSIVE WARRANTY. THIS LIMITED WARRANTY AND REMEDY IS EXPRESSLY IN LIEU OF ANY AND ALL OTHER EXPRESS OR IMPLIED WARRANTIES, AND EXCLUDES ANY IMPLIED WARRANTY OF MERCHANTABILITY OR FITNESS FOR A PARTICULAR PURPOSE. THE LIMITED WARRANTY CONSTITUTES THE ONLY WARRANTY MADE WITH RESPECT TO THE GOODS. ALL OTHER WARRANTIES ARE EXCLUDED. BY ITS PURCHASE OF GOODS PURCHASER HAS DECIDED THAT THE STANDARD OF GOODS IS FIT FOR PURCHASER'S PURPOSE.

PURCHASER AGREES THAT NEITHER SELLER NOR ITS SUPPLIERS SHALL UNDER ANY CIRCUMSTANCES BE LIABLE (A) FOR ANY OTHER DAMAGES, DIRECT, INCIDENTAL, SPECIAL, INDIRECT OR CONSEQUENTIAL, WHETHER RESULTING FROM SELLER'S NEGLIGENCE OR OTHERWISE,

RESULTING FROM OR IN CONNECTION WITH THE GOODS SOLD TO PURCHASER, NOR (B) FOR ANY CLAIMS, ACTIONS, SUITS AND PROCEEDINGS WHICH MAY BE INSTITUTED IN RESPECT TO THE FOREGOING, INCLUDING CLAIMS, ACTIONS, SUITS AND PROCEEDINGS MADE BY SUBSEQUENT OWNERS AND USERS OF THE GOODS, NOR FOR STRICT LIABILITY OR OTHER TORT, NOR (C) FOR LOST REVENUES OR EARNINGS, LOST PROFITS, LOST OPPORTUNITIES, COSTS OR DELAYS, LOST GOOD WILL OR REPUTATION, OR PUNITIVE OR EXEMPLARY DAMAGES. IF IT IS FOUND THAT THIS REMEDY FAILS OF ITS ESSENTIAL PURPOSE, SELLER'S LIABILITY SHALL NONETHELESS BE LIMITED TO A REFUND OF THE PURCHASE PRICE PAID, AND TRANSPORTATION COSTS. THE EXCLUSION OF CONSEQUENTIAL DAMAGES SHALL BE DEEMED INDEPENDENT OF, AND SHALL SURVIVE ANY FAILURE OF THE ESSENTIAL PURPOSE OF ANY LIMITED REMEDY.

THE WARRANTIES OF SELLER ARE NOT TRANSFERABLE TO ANY SUBSEQUENT OWNER OF THE GOODS. SOME JURISDICTIONS DO NOT ALLOW THE EXCLUSION OF LIMITATION OF INCIDENTAL OR CONSEQUENTIAL DAMAGES SO THAT THE ABOVE MAY NOT APPLY TO YOU.

CONDITIONS OF RESALE/SUBSEQUENT PURCHASERS These Terms and Conditions shall be binding upon all subsequent owners and users of the goods. Goods are sold subject to the condition that they shall not be resold or otherwise conveyed without similar conditions, including that these conditions be imposed on the subsequent purchaser/ user or transferee.

POWER OF ATTORNEY. Purchaser hereby irrevocably authorizes and empowers any attorney of any court of record to appear for and confess judgment and therein against the Purchaser, or any of them, for the amount for which the Purchaser may be or become liable to Seller under these Terms and Conditions as evidenced by an affidavit signed by a representative of the Seller setting forth the amount then due, plus 15% thereof, but no less than \$500.00, as an attorneys commission, with costs of suit, release of errors, and without right of appeal. If a copy hereof, verified by an affidavit, shall have been filed in said proceeding, it shall not be necessary to file the original as a warrant of attorney. Purchaser waives the right to any stay of execution and the benefit of all exemption laws now or hereafter in effect. No single exercise of the forgoing warrant and power to confess judgment shall be deemed to exhaust the power, whether or not any such exercise shall be held by any court to be invalid, voidable, or void, but the power shall continue undiminished and may be exercised from time to time as often as Seller shall elect, until all sums payable or that may become payable by Purchaser have been paid in full.

NO ASSIGNMENT. This agreement is not assignable by Purchaser but shall be binding upon and inure to the benefit of the parties hereto and their respective successors.

HEADINGS. The section headings used herein are for convenience of reference only and do not form

a part of these terms and conditions, and no construction or interference shall be derived therefrom.

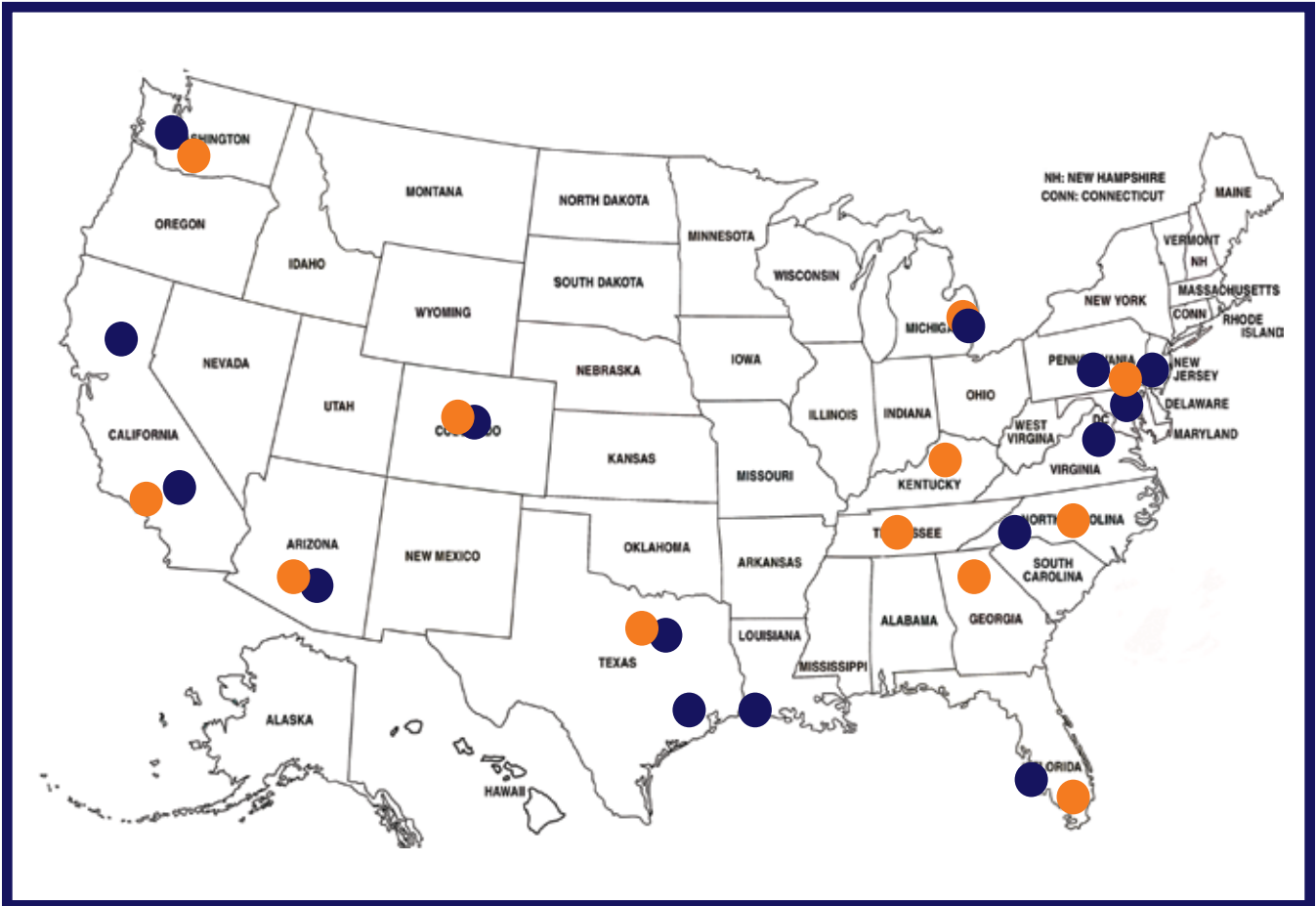
FORCE MAJEURE. Seller shall not be responsible for any loss or damage of any kind or nature whatsoever, direct or indirect, suffered by Purchaser, subsequent purchasers, ultimate users of goods, or any other person, as a result of any factors beyond its control, including (without limitation) Purchasers acts or omissions, labor shortages, strikes, lock-outs, work slowdowns, accidents, fire, floods, earthquakes, severe weather, serious accidents, epidemics, quarantines, wars, breakdowns, delays in manufacture, transportation or delivery of goods or materials purchased by Seller, unavailability, inadequacy or shortages of material or services, acts of God, embargoes, wars insurrections or riots, terrorism, acts of civil or military authorities, civil commotion, or governmental or regulatory or licensing action, or changes, or any other circumstances beyond Sellers reasonable control.

SEVERABILITY. Invalidity of part of any of these Terms and Conditions shall not invalidate the remainder and the Purchaser and Seller agree to amend these Terms and Conditions to substitute for the provision at issue a valid, legal and enforceable provision as similar as possible to the provision at issue and to otherwise give effect to the provision at issue as much as possible.

LANGUAGE. The following statement is translated in English to "At the express request of the parties, this agreement has been prepared in the English language" and is applicable only if either or both of Purchaser or Seller is located in Canada. "A la demande des parties aux presentes, cette convention a été preparée dans la langue anglaise".

CHOICE OF LAW AND BINDING ARBITRATION. This agreement and all Terms and Conditions shall be construed and governed by the laws of the State (If Seller is located in the United States of America) or Province (if Seller is located in Canada) in which Sellers head office is located. The United Nations Convention on Contracts for the International Sale of Goods does not apply. Except as provided under the NON-PAYMENT/ENFORCEMENT and POWER OF ATTORNEY sections herein, any claim, dispute or controversy (whether in contract or tort, pursuant to statute or regulation, or otherwise and whether pre-existing, present or future) arising out of or relating to: these terms and conditions; a good or service; oral or written statements, or advertisements or promotions relating to these terms and conditions or to a good or service; or the relationships which result from these terms and conditions (including relationships with third parties who are not signatories to this agreement) (each, a "Claim"), will be referred to and determined by binding arbitration (to the exclusion of the courts). By so agreeing, you further expressly waive any right to a jury trial regarding disputes related to this agreement or to any Claim. Arbitration shall occur in the city in which Sellers head office is located by one arbitrator under the rules of the American Arbitration Association; and judgment may be rendered upon the award made by a court of the city in which Sellers head office located, or a court of competent jurisdiction.

# OUR WAREHOUSE LOCATIONS



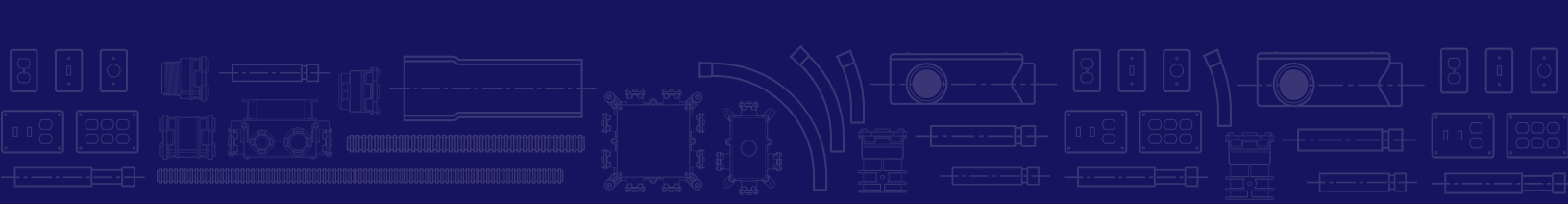
**Note:** Map is subject to change. Check website for most current information.

## SALES & DISTRIBUTION CENTER

Royal Building Products  
56400 Mound Road  
Shelby Twp., MI 48316  
T 1.800.232.5690  
F 586.781.0888  
[royalbuildingproducts.com](http://royalbuildingproducts.com)

● MUNICIPAL/PLUMBING PRODUCTS

● ELECTRICAL PRODUCTS



Our various pipe and fittings solutions have been manufactured to meet the needs of our customers and their applications.

Contact our Sales Office for more information.

- Municipal Pipe & Fittings Solutions
- Plumbing Pipe & Fittings Solutions
- Industrial Pipe & Fittings Solutions
- Electrical Pipe & Fittings Solutions



Sales & Distribution Center  
Royal Building Products  
56400 Mound Road  
Shelby Township, MI 48316  
T 1.800.232.5690  
F 1.586.781.0888

[www.royalbuildingproducts.com](http://www.royalbuildingproducts.com)

Pub No. 1305E  
May 2015  
Printed in USA