

## SECW SECURITY WALL LIGHTS

PROJECT: \_\_\_\_\_

SCHEDULE: \_\_\_\_\_ DATE: \_\_\_\_\_

PREPARE BY: \_\_\_\_\_

NOTES: \_\_\_\_\_

### DESCRIPTION

naturaLED® security wall lighting are suitable for wet locations with ratings of IP65. Built-in dusk to dawn photocell sensor, with easy on/off plug if sensor is not in use. Easy installation, gasketing between back plate and front prevents entry of water. Polyester powder-coated finish, rust and corrosion proof, maintenance free throughout the years of usage.

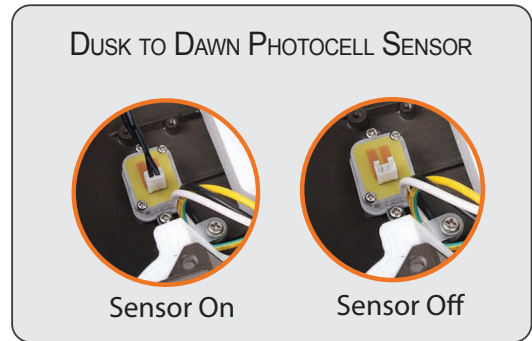
### APPLICATIONS

Security, Pathway, Perimeter, Area, Wall Lighting



### FEATURES

- DLC Premium
- IP65 Rated
- UL Listed
- ColorTemp: 4000K, 5000K
- Voltage: 120-277V
- Power Factor: >0.9
- Beam Angle: 100°
- Dimmable: 0-10V
- CRI: >80
- Operating temperature: - 4°F - 113°F
- Built-in photocell sensor (turn on and off)
- Lightweight
- Recommended 8-foot height performance
- Material: Aluminum Housing with PC lens
- Color: Bronze
- 5 Year Warranty



SAMPLE NUMBER		FXSECW15/840/DB/MV			
FAMILY	SERIES	WATTAGE	CRI/COLOR TEMP	COLOR	VOLTAGE
FX Fixture	SECW Security Wall Light	15 15 Watt	840 CRI 80 4000K	DB Dark Bronze	MV Multiple Voltage



# SECURITY WALL LIGHTS

## WALL & SECURITY LUMINAIRES

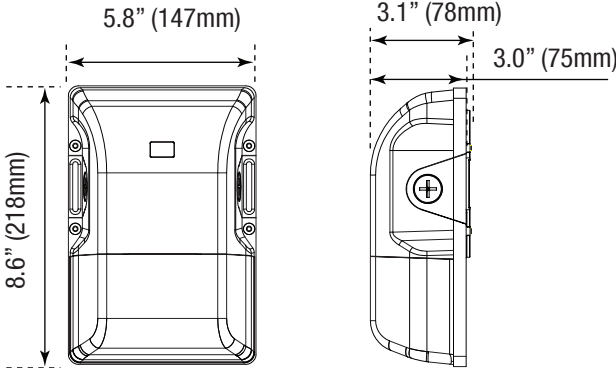
### ORDERING

\*P= Premium DLC / \*S = Standard DLC

Watts (W)	Ordering Code	Description	CCT (K)	Lumens (Lm)	Equiv. Wattage (W)	Included	IP65 Rated	DLC (S/P)
15	<b>9410</b>	FXSECW15/840/DB/MV	4000K	2,024	70	Photocell	•	P
15	<b>9411</b>	FXSECW15/850/DB/MV	5000K	2,027	70	Photocell	•	P
29	<b>9412</b>	FXSECW30/840/DB/MV	4000K	3,933	100	Photocell	•	P
29	<b>9413</b>	FXSECW30/850/DB/MV	5000K	3,949	100	Photocell	•	P

### DIMENSIONS

**15W / 30W**  
1.98-lbs



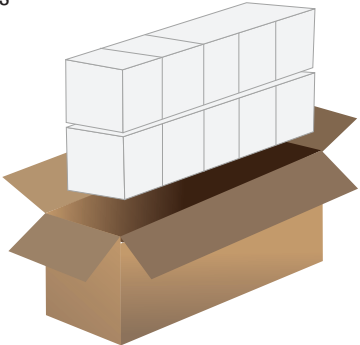
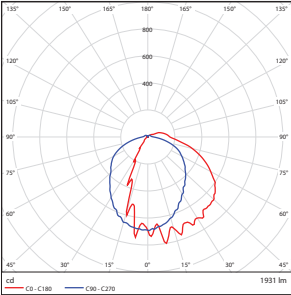
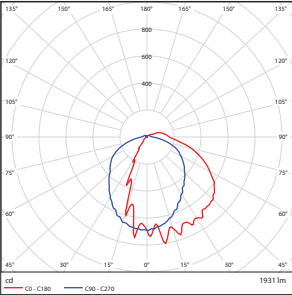
### PHOTOMETRICS CHART

### PACKAGE

**15 Watt**  
DLC Premium

**30 Watt**  
DLC Premium

Case Qty 10 pcs



Center Beam Fc	Beam Width
6.7R: 15.4 fc	13.3 ft 14.0 ft
13.3R: 3.91 fc	26.4 ft 27.9 ft
20.0R: 1.73 fc	39.7 ft 41.9 ft
26.7R: 0.97 fc	53.0 ft 56.0 ft
33.3R: 0.62 fc	66.1 ft 69.8 ft
40.0R: 0.43 fc	79.4 ft 83.9 ft

Vert. Spread: 89.5°  
Horiz. Spread: 92.7°

Center Beam Fc	Beam Width
6.7R: 29.0 fc	14.4 ft 16.5 ft
13.3R: 7.36 fc	28.6 ft 32.8 ft
20.0R: 3.26 fc	43.0 ft 49.3 ft
26.7R: 1.83 fc	57.5 ft 65.8 ft
33.3R: 1.17 fc	71.7 ft 82.1 ft
40.0R: 0.81 fc	86.1 ft 98.6 ft

Vert. Spread: 94.2°  
Horiz. Spread: 101.9°