

Straight Blade Devices
 15A, 125V, 2 Pole, 3 Wire Grounding
 Hospital Grade StyleLine® Duplex
 Receptacle

HUBBELL

Features

- Aesthetic Style Line® decorator design
- High impact resistant face
- Triple wipe contacts

Ordering Information

| Description | Device Color | UPC | Catalog Number |
|----------------------|--------------|--------------|----------------|
| Back and side wired. | White | 783585060620 | HBL2172WA |

Listings

UL Listed to UL498 File No. E2186
 Certified to CSA 22.2, No. 42 File 285
 Fed. Spec. W-C-596
 NEMA® WD-6 Compliant

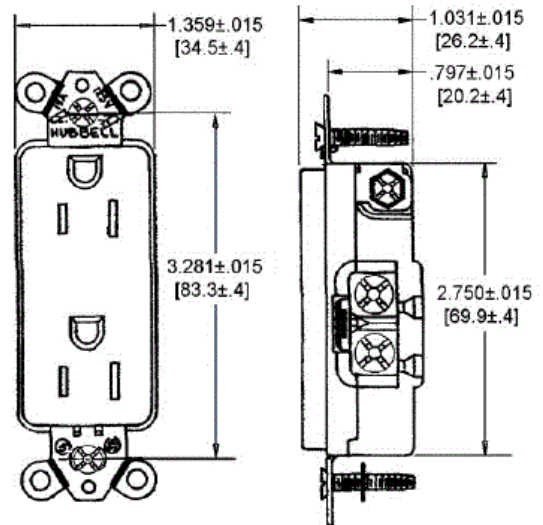


Specifications

| | |
|---------------------------------|---------------------------------|
| Face | Nylon |
| Base | PBT |
| Contacts | 0.031" (0.8) Brass |
| Ground Contacts | .031 in. (.8) Brass |
| Clamping Plate | Nickel plated steel |
| Terminal Screws | Brass |
| Mounting Strap | .050 in. (1.3) Galvanized steel |
| Automatic Self-grounding Staple | Stainless steel |
| Mounting Screws | Zinc plated steel |

Performance

| | |
|-------------------------|--|
| Electrical | |
| Current Interrupting | Certified for current interrupting at full rated current |
| Dielectric Voltage | Withstands 2,000V minimum |
| Mechanical | |
| Product Identification | Ratings are a permanent part of the device |
| Terminal Accommodation | #14-#10 AWG copper stranded or solid conductor only |
| Terminal Identification | Terminals identified in accordance with UL 498 and CSA |
| Environmental | |
| Flammability | TOP: UL 94 V-2 BASE: UL 94 V-0 |
| Operating Temperatures | Maximum continuous 75°C; minimum -40°C (w/o impact) |



Accessories

Wallplate or Weatherproof Cover StyleLine® Decorator Opening

Resources

Customer Use Drawing
 eCatalog

Dimensions in Inches (mm)

Hubbell Wiring Device-Kellems • Hubbell Incorporated (Delaware) • 40 Waterview Drive • Shelton, CT 06484

Phone (800) 288-6000 • Fax (800) 255-1031 • Specifications subject to change without notice.

