

Straight Blade Devices
 15A, 125V, 2 Pole, 3 Wire Grounding
 Hospital Grade StyleLine® Duplex
 Receptacle

HUBBELL

Features

- Aesthetic Style Line® decorator design
- High impact resistant face
- Triple wipe contacts

Ordering Information

Description	Device Color	UPC	Catalog Number
Back and side wired.	Gray	783585060569	HBL2172GY

Listings

UL Listed to UL498 File No. E2186
 Certified to CSA 22.2, No. 42 File 285
 Fed. Spec. W-C-596
 NEMA® WD-6 Compliant

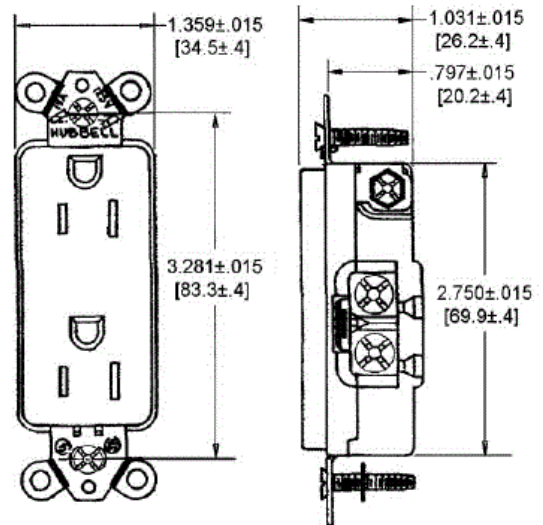


Specifications

Face	Nylon
Base	PBT
Contacts	0.031" (0.8) Brass
Ground Contacts	.031 in. (.8) Brass
Clamping Plate	Nickel plated steel
Terminal Screws	Brass
Mounting Strap	.050 in. (1.3) Galvanized steel
Automatic Self-grounding Staple	Stainless steel
Mounting Screws	Zinc plated steel

Performance

Electrical	
Current Interrupting	Certified for current interrupting at full rated current
Dielectric Voltage	Withstands 2,000V minimum
Mechanical	
Product Identification	Ratings are a permanent part of the device
Terminal Accommodation	#14-#10 AWG copper stranded or solid conductor only
Terminal Identification	Terminals identified in accordance with UL 498 and CSA
Environmental	
Flammability	TOP: UL 94 V-2 BASE: UL 94 V-0
Operating Temperatures	Maximum continuous 75°C; minimum -40°C (w/o impact)



Accessories

Wallplate or Weatherproof Cover StyleLine® Decorator Opening

Resources

Customer Use Drawing
 eCatalog

Dimensions in Inches (mm)

Hubbell Wiring Device-Kellems • Hubbell Incorporated (Delaware) • 40 Waterview Drive • Shelton, CT 06484

Phone (800) 288-6000 • Fax (800) 255-1031 • Specifications subject to change without notice.

