

## INSTRUCTIONS PERTAINING TO A RISK OF FIRE, OR INJURY TO PERSONS IMPORTANT SAFETY INSTRUCTIONS

### Lighted lamp is HOT!

**WARNING — To reduce the risk of FIRE OR INJURY TO PERSONS.**

- 1) Turn off / unplug and allow to cool before replacing lamp.
- 2) Lamp gets HOT quickly!
- 3) Do not touch hot lens or cowl.
- 4) Do not touch lamp or fixture if warm.
- 5) Do not look directly at lamp when on.
- 6) Keep lamp away from combustible materials.
- 7) Use only with wattage and lamp marked on fixture.
- 8) Do not touch the inner glass envelope of the lamp at any time. Use a soft cloth. Oil from skin may damage lamp.
- 9) Do not operate the fixture with a damaged or missing lens.

BRASS TRIM INGROUND - 15495CBR  
 BRASS COWL INGROUND - 15496CBR  
 BRASS ROCKGUARD INGROUND - 15497CBR  
 BRASS BEACON INGROUND - 15498CBR  
 BRASS SIDE THROW INGROUND - 15499CBR

## SAFETY INSTRUCTIONS READ THIS FIRST KEEP THESE INSTRUCTIONS

**This fixture is intended for installation in accordance with the National Electric Code (NEC) and Local code specifications. Failure to adhere to these codes and instructions may result in serious injury and/or property damage and will void the warranty.**

- 1) **WARNING:** This fixture is not to be installed within 10 feet (3M) of a pool, spa or fountain.
- 2) This fixture is to be used only with a power unit (transformer) rated a maximum of 300 W (25 AMPS) 15 volts per circuit.
- 3) The #18 ga. fixture wire is not intended for direct burial or connected to transformer.
- 4) Direct burial rated wire is to be buried a minimum of 6" (152mm) beneath the surface of the ground. **NOTE:** If additional Direct Burial wire is needed, contact your local Kichler® landscape distributor.
  - 8 GA wire can be purchased in length of 250' (76 M), 15503-BK.
  - 10 GA wire can be purchased in length of 250' (76 M), 15504-BK.
  - 12 GA wire can be purchased in lengths of 100' (30 M), 15501-BK; 250' (76 M), 15502-BK; 500' (152M), 15505-BK; and 1000' (304 M), 15506-BK.
- 5) Fixture shall not use a tungsten halogen lamp unless the fixture is marked for use with such lamps.
- 6) Wiring connections must be made with approved/listed wire connection device(s) suitable for the application. Do not exceed manufacturers' wiring combination specifications for size and quantity of conductors.

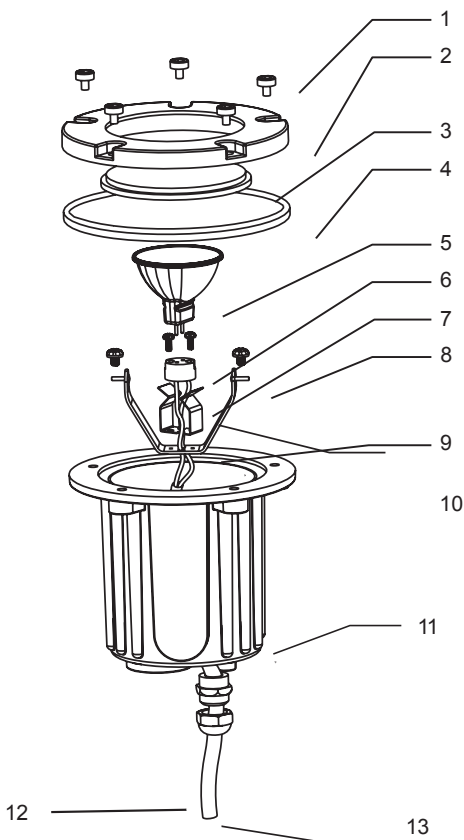
### CAUTION

**WHEN INSTALLING KICHLER LANDSCAPE LIGHTING (LINE VOLTAGE OR LOW VOLTAGE), CARE SHOULD BE TAKEN TO KEEP CLEAR OF POTENTIALLY COMBUSTIBLE MATERIALS. WHEN MAINTAINING THE FIXTURES, BE SURE TO REMOVE LEAVES, PINE NEEDLES, GRASS CLIPPINGS, MULCH, OR ANY DEBRIS THAT HAS ACCUMULATED ON THE LIGHT BULB, LENS, OR BODY OF THE FIXTURE.**

### ASSEMBLY AND INSTALLATION

#### 1. TURN OFF POWER

2. Determine desired location for installation. Check area for obstructions such as sprinklers, plant material, etc. Assess soil conditions.
3. With a screwdriver, loosen cover screws and install lamp into socket. Then put the cover back and tighten screws.
4. Dig a hole approximately 12" deep by 3" wider than the well light. This allows approximately 3" of pea gravel or sand to surround ABS housing.
  - a) For concrete applications, use a 5 1/4 inch core drill, 12 inches deep.
5. Strip the two lead wires from fixture pigtail wire. Using wire connectors (not included), connect the leads from the luminaire to the main supply cable leads. Allow 12-18" of extra wire (coiled inside the bottom of the well light) to allow for lamp removal / replacement.
6. Place fixture at final height leaving 1-2 inches of the fixture above grade to minimize debris collection (in lawn areas they should be flush with grade).
7. Install luminaire in hole and fill hole after installation with pea gravel or sand. Backfill and compact the soil around the fixture thus securing it in the ground.
8. Power fixture to check for proper operation.
9. Call Factory for additional installation options.



Open cover  
(15495CBR)



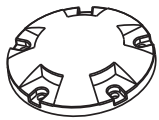
Eyelid cover  
15499CBR



Grill cover  
15497CBR



Shield cover  
(15496CBR)



Five leaves cover  
15498CBR

1. Cover Screw
2. Cover
3. Glass
4. Gasket
5. Lamp
6. Socket Screw
7. Socket
8. Bracket Screw
9. Socket Clip
10. Bracket
11. Housing
12. Grommet
13. Cable

15495CBR  
 15496CBR  
 15497CBR  
 15498CBR  
 15499CBR