

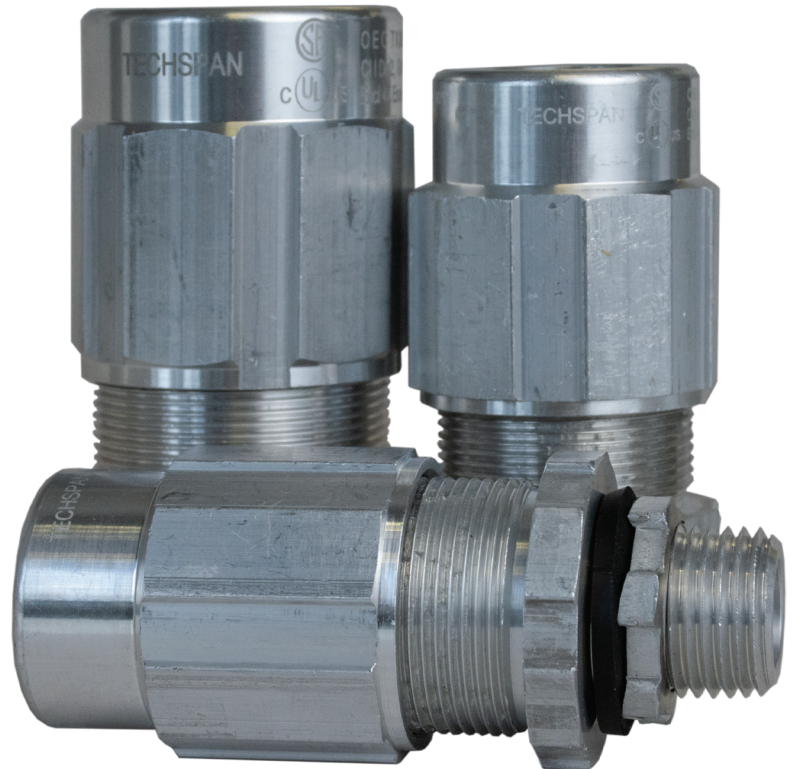
# ***TECK CONNECTORS***

## ***FROM TECHSPAN***

**NEW**

**FOR MC, MC-HL, INTERLOCKED & TECK ARMORED CABLES**

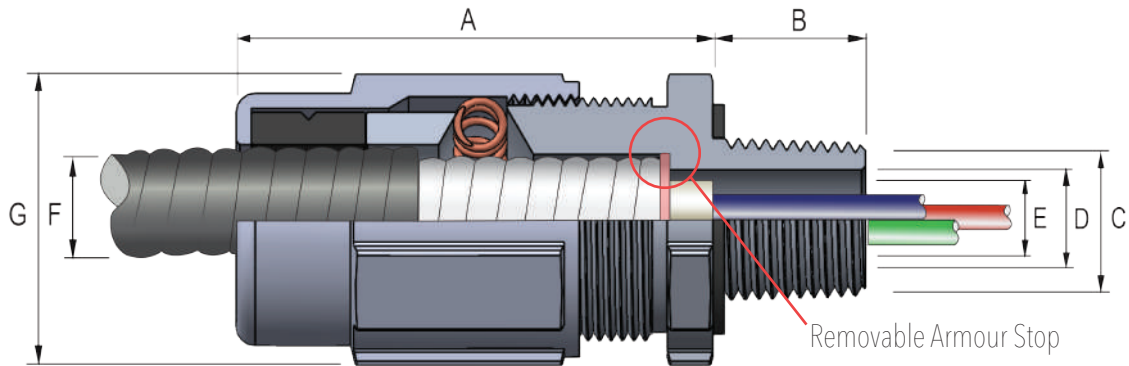
- Simplified two part design
- Wide Cable Range - More Flexibility
- Less SKUs
- Integrated grommet for IP66 Sealing
- Aluminum Locknut Included for all sizes



CABLE GLAND MATERIAL	Aluminium
ARMOR LOCKING	360° Stainless Steel Grounding Spring
TEMPERATURE RANGE	-50°C to +90°C
INGRESS PROTECTION RATING	IP66
CABLE TYPE	MCC, MC-HL, TECK90
UL CERTIFICATION	CI I, Z1, AEx e II, CI I Div 2 Gr ABCD, CI II Div 1 & 2 Gr EFG, CI III Div 1 & 2
CSA CERTIFICATION	CSA C22.2 NO. 18.3-12 UL 514B (6th Ed.)

# TECK CONNECTORS

## FROM TECHSPAN



Part No	Entry Thread NPT 'C'	Minimum Thread Length 'B'	Cable Outer Jacket Diameter 'F'		Cable Armor Diameter 'D'		Thru Bore 'E'	Across Flat 'G'	Cable Stripping Length	Assembly Torque n.m.	Nominal Assembly Length 'A'
			Min.	Max.	Min.	Max.					
TKMC050A075	1/2"	0.78	0.520	0.720	0.440	0.610	0.520	1.496	1.65	36.0	3.25
TKMC050A099	1/2"	0.78	0.710	0.980	0.620	0.860	0.610	1.654	1.30	36.0	3.70
TKMC075A075	3/4"	0.80	0.520	0.720	0.440	0.610	0.520	1.496	1.65	36.0	3.25
TKMC075A099	3/4"	0.80	0.710	0.980	0.620	0.860	0.748	1.654	1.65	36.0	3.74
TKMC075A118	3/4"	0.80	0.880	1.140	0.800	1.040	0.795	1.969	1.65	36.0	4.03
TKMC100A118	1"	0.98	0.880	1.140	0.800	1.040	0.965	1.969	1.65	50.0	4.18
TKMC100A137	1"	0.98	1.050	1.360	0.970	1.260	1.047	2.205	1.97	50.0	4.65
TKMC125A137	1-1/4"	1.01	1.050	1.360	0.970	1.260	1.146	2.205	1.97	50.0	4.65
TKMC125A162	1-1/4"	1.01	1.320	1.620	1.240	1.500	1.319	2.441	2.01	50.0	4.72
TKMC125A190	1-1/4"	1.01	1.580	1.880	1.500	1.760	1.370	2.559	2.01	50.0	4.72
TKMC150A162	1-1/2"	1.03	1.320	1.620	1.240	1.500	1.382	2.441	2.01	60.0	4.72
TKMC150A190	1-1/2"	1.03	1.580	1.880	1.500	1.760	1.543	2.559	2.01	60.0	4.72
TKMC150A200	1-1/2"	1.03	1.670	1.980	1.590	1.860	1.610	2.756	1.91	60.0	4.93
TKMC150A233	1-1/2"	1.03	1.900	2.250	1.820	2.130	1.614	2.953	1.93	60.0	5.01
TKMC200A200	2"	1.06	1.670	1.980	1.590	1.860	1.654	2.756	2.01	60.0	4.96
TKMC200A233	2"	1.06	1.900	2.250	1.820	2.130	2.028	2.953	2.01	60.0	5.01
TKMC200A272	2"	1.06	2.380	2.660	2.250	2.460	2.071	3.543	2.01	60.0	5.22
TKMC250A233	2-1/2"	1.57	1.900	2.250	1.820	2.130	2.031	2.953	2.20	60.0	5.54
TKMC250A272	2-1/2"	1.57	2.280	2.680	2.150	2.480	2.402	3.543	2.20	60.0	5.73
TKMC300A272	3"	1.63	2.280	2.680	2.150	2.480	2.402	3.543	2.20	60.0	5.79
TKMC300A325	3"	1.63	2.620	3.250	2.490	3.050	2.717	4.331	2.48	60.0	6.30
TKMC350A325	3-1/2"	1.69	2.650	3.250	2.520	3.050	2.717	4.331	2.48	60.0	6.36

\*All Dimensions are in Inches