

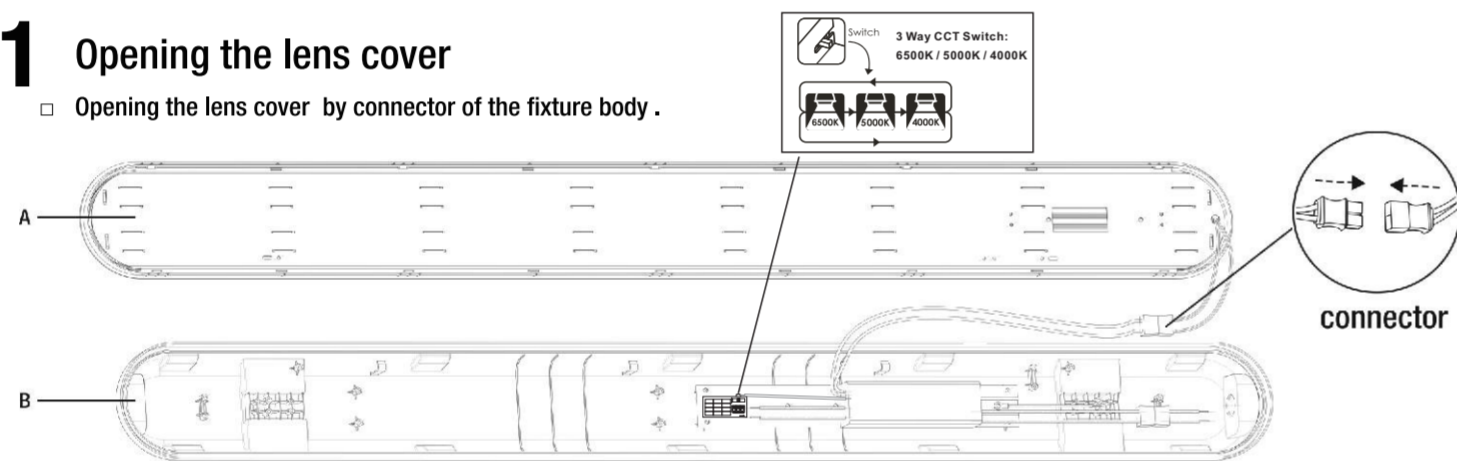
## Installation

Select a suitable location that can support the weight of the fixture. Determine the method for mounting the fixture before drilling, based on the type of ceiling.

**WARNING: RISK OF ELECTRIC SHOCK.** Ensure the electricity to the wires you are working on is shut off. Either remove the fuse or turn off the circuit breaker before removing an existing light fixture or installing the new one.

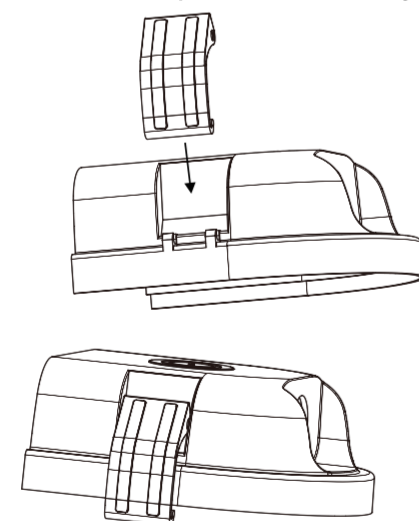
### 1 Opening the lens cover

- Opening the lens cover by connector of the fixture body.



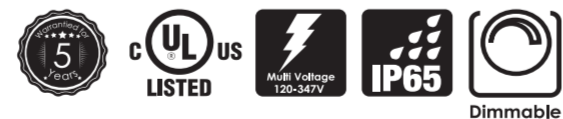
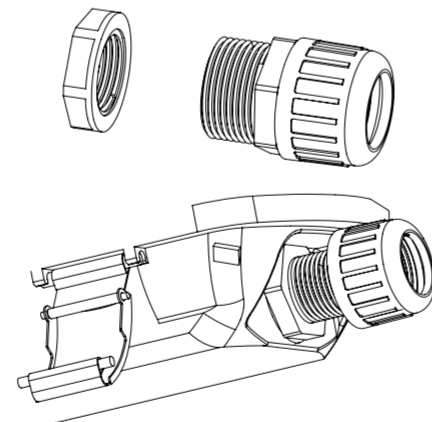
### 2 Installing the clamps

- Put the clamps into the fixture body



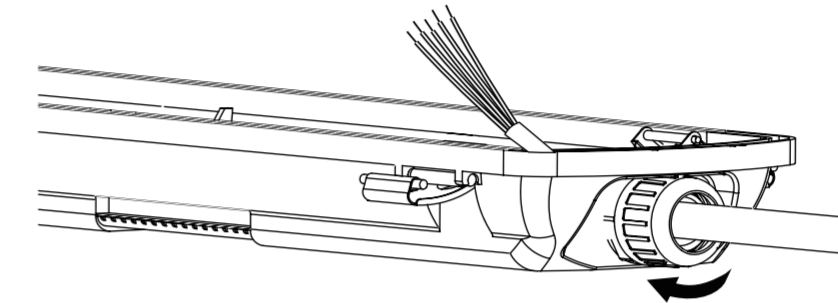
### 3 Installing the cord grip

- Remove the nut from the end of the cord grip and insert the threaded end into the knock out hole on the end of the fixture body.



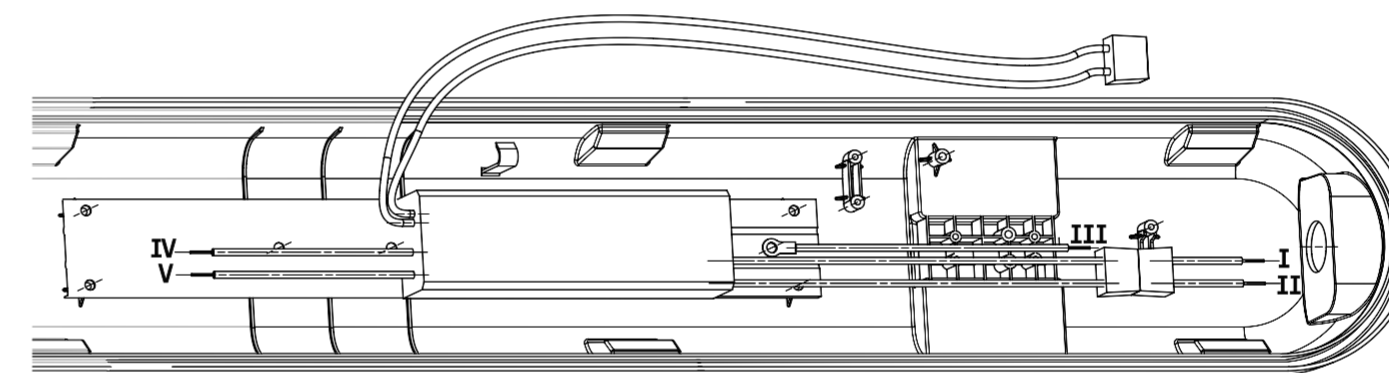
### 4 Feeding the wires

- Feed the wires from the electrical source through the cord grip and into the fixture body.
- Tighten the nut onto the cord grip to secure the wires.



### 5 Making the electrical connections

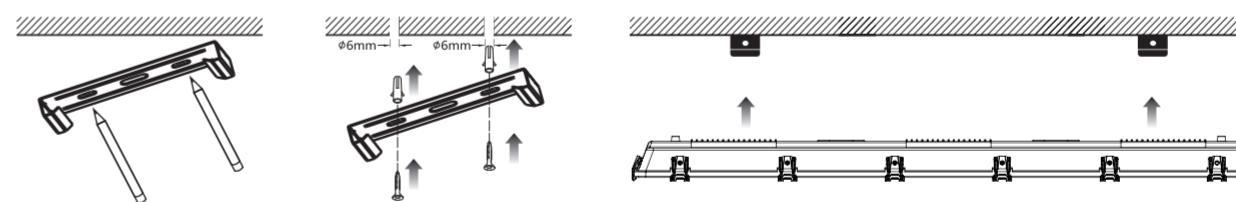
- Connect the hot and neutral (black and white) wires from the electrical source to the same color wires from the LED driver box.
- Connect the green ground wire from the electrical source to the green/yellow ground wire from the fixture body.
- If a 0-10V dimming circuit is available, connect the purple and gray wires from the electrical source to the same color wires from the LED driver box.
- If 0-10V dimming is not desired, wrap the ends of the purple and gray wires with electrical tape to cover the wires.
- Cover each wire connection with a wire connector (F) and electrical tape (not included).



### 6 (1)



### (2)



### (3)

