

120V-277V LED Small Accent, 5W & 10W



Select Models

PROJECT: \_\_\_\_\_

TYPE: \_\_\_\_\_

ORDERING: \_\_\_\_\_

COMMENTS: \_\_\_\_\_

### APPLICATIONS

Kichler's 120V-277V LED accent lighting fixtures are designed for outdoor lighting applications requiring uniform light sources, with long life, and little maintenance requirements.

### CONSTRUCTION

Die-cast aluminum construction with durable polyester powder coating. Vandal resistant hardware, reinforced knuckle design, a water draining front end with an integrated cowl. Accent fixtures accept various lens or louver accessories.

### ELECTRICAL

ETL listed to UL and CSA Standards for 120V-277 VAC (50/60 Hz), and suitable for wet locations. Integrated surge protection (4kV) comes standard.

### OPTICS

Utilizes a single LED chip-on-board light source that provides for center-to-edge uniformity and enhances beam control. Three-step binning for tight color consistency. Available in three standard beam angles: 15, 40 or 55 degrees.

### LISTINGS

ETL wet label listed to UL and CSA Standards. IP66 rated. FCC compliant.

### ORDERING MATRIX (Model # +Finish & CCT Codes) & LUMEN INFORMATION

Model #	Finish	CCT (30 / 40)	Wattage	CRI	Beam Angle	Lumen	Lm/W	L70 (hrs)
16209	AZT or BKT	3000K	5.2	80 (+)	15 Deg	473	91	60,000
16209	AZT or BKT	4000K	5.0	80 (+)	15 Deg	495	99	60,000
16210	AZT or BKT	3000K	5.2	80 (+)	40 Deg	478	93	60,000
16210	AZT or BKT	4000K	5.1	80 (+)	40 Deg	514	100	60,000
16211	AZT or BKT	3000K	5.3	80 (+)	55 Deg	478	91	60,000
16211	AZT or BKT	4000K	5.3	80 (+)	55 Deg	495	93	60,000
16212	AZT or BKT	3000K	9.9	80 (+)	15 Deg	831	84	60,000
*16212	AZT or BKT	4000K	10.0	80 (+)	15 Deg	914	91	60,000
16213	AZT or BKT	3000K	10.1	80 (+)	40 Deg	831	82	60,000
*16213	AZT or BKT	4000K	10.3	80 (+)	40 Deg	942	91	60,000
16214	AZT or BKT	3000K	9.9	80 (+)	55 Deg	807	82	60,000
*16214	AZT or BKT	4000K	10.2	80 (+)	55 Deg	934	91	60,000

**Example:** 16209BKT40 is model 16209 in Textured Black, 4000K

Each model is available with a finish in BKT - Textured Black or AZT - Textured Architectural Bronze

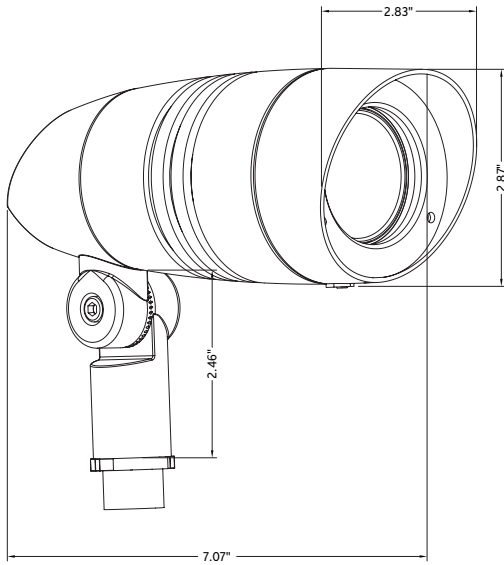
\*DLC Qualified Products. For the most current listing, visit [www.designlights.org](http://www.designlights.org)



# C-Series LED

120V-277V LED Small Accent, 5W & 10W

## DIMENSIONS



## INCLUDED ACCESSORIES

Three (3) King Innovation Gel-Filled twist-on wire connectors

## ACCESSORIES

Ordered & shipped separately (for knuckle only)

- 15645 AZT, BKT** - 6" Stem                      Corrosion resistant
- 15656 AZT, BKT** - 12" Stem                    aluminum alloy with
- 15657 AZT, BKT** - 18" Stem                    baked thermoset
- 15658 AZT, BKT** - 24" Stem                    powder coating.

**15276 BKT** - Power Post: A Fast, One-Step Connector  
 Made of Impact / Corrosion Resistant PVC  
 2.25" Inside Diameter to Accommodate Conduits  
 of Different Sizes  
 Accepts .50 NPSM Thread  
 Designed For 120V-277V Line Voltage Landscape Lighting,  
 Eliminating Need For Above or Below Ground Boxes.  
 Built-in Stabilizer Removes Need For Concrete

**15601 AZT, BKT** - Cast Aluminum Surface Mounting  
 Flange with Bronze or Black Finish, Neoprene Gasket For  
 Watertight Seal

**15609 AZT, BKT** - Junction Box Mounting Bracket  
 Corrosion Resistant Cast Aluminum Alloy with Baked  
 Thermoset Bronze or Black Powder Coat Finish

## PHOTOMETRIC DIAGRAMS

