

Project : _____
 Type : _____
 Drawn by : _____
 Catalogue No. : _____
 Date : _____



Specifications

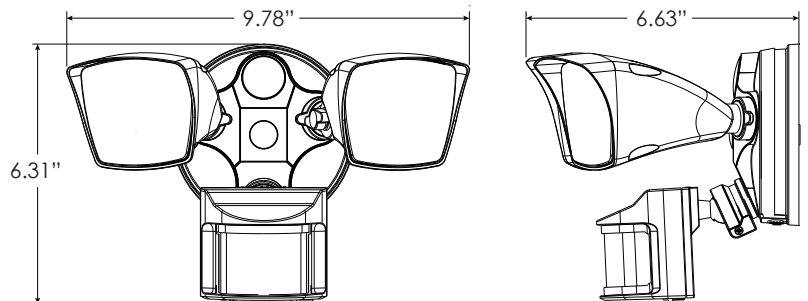
| Model No. | | <input type="checkbox"/> SF18CR15C25W / WH | <input type="checkbox"/> SF18CR15C25W / BK |
|------------------------|-----------------------|--------------------------------------------|--------------------------------------------|
| General | Watts | 25W | 25W |
| | Lume | 2250-2500lm | 2250-2500lm |
| | CCT | 3CCT(3000K/4000K/5000K) | 3CCT(3000K/4000K/5000K) |
| | Volts | 120V | 120V |
| | CRI | >80 | >80 |
| | Beam Ange | 100 degree | 100 degree |
| | Sening Degree | 180 degree | 180 degree |
| | Sening Distance | 68.89ft(21m) | 68.89ft(21m) |
| | Hours Rated | 50000 hours | 50000 hours |
| | Sensor | Pyroelectric Infrared Sensor(PIR) | Pyroelectric Infrared Sensor(PIR) |
| Installation Method | | Wire Connection | Wire Connection |
| Electrical | Operating Frequency | 50/60 Hz | 50/60 Hz |
| | Power Factor | >0.9 | >0.9 |
| | Operating Position | Both-Horizontal&Vertical | Both-Horizontal&Vertical |
| | Operating mode | PIR Sensor | PIR Sensor |
| | Operating Temperature | -30°C(-40°F) to 40°C(104°F) | -30°C(-40°F) to 40°C(104°F) |
| Physical | Detection Distance | 19.69-68.89ft(6m-21m) | 19.69-68.89ft(6m-21m) |
| | Lens Material | Clear PC | Clear PC |
| | Housing Color | White | Black |
| | Weight (Kg) | 1.32kg | 1.32kg |
| Additional Information | Additional Info | CCT adjustable | CCT adjustable |
| | "On" Duration time | 5S-5minutes | 5S-5minutes |
| | Warranty | 5 years | 5 years |
| Compliance | Safety Listing | ETL-Listed | ETL-Listed |
| | Location Rating | Wet location/IP65 | Wet location/IP65 |
| | Energy Star | No | No |
| | DLC Approved | No | No |
| DLC ID | | No | No |

Features & Specifications

| | |
|-------------------------|-------------------------------------------------------------------------------------------------------------------------------------------------------------------------------------------------------------------------------------------------------------------------------------------------------------------------------------------------------------------------|
| Construction | <ul style="list-style-type: none"> • PIR sensor with lux detection controls light on and off • PIR detection range can reach 68.89ft at 8.2ft height installation and PIR sensor set at 45° • The angle of two light head can be adjusted in 270° • PIR sensor can be adjusted in both side, horizontal 45° and vertical 135° |
| Mounting | <ul style="list-style-type: none"> • Mounting location: wall or eave mounted • Mounting height 8.2ft is recommended above the ground |
| Performance Data | <ul style="list-style-type: none"> • Available in 3000K/4000K/5000K selectable color temperature • The light can be always be on when setting sensitivity position to ON • CRI80 • Estimated life of 50000hours • Operating temperature -30°C to 40°C |
| Compliances | <ul style="list-style-type: none"> • ETL certified for wet location • Outdoor use, IP65 waterproof • Complies with Part 15 of the FCC rules |

Dimensions & Weights

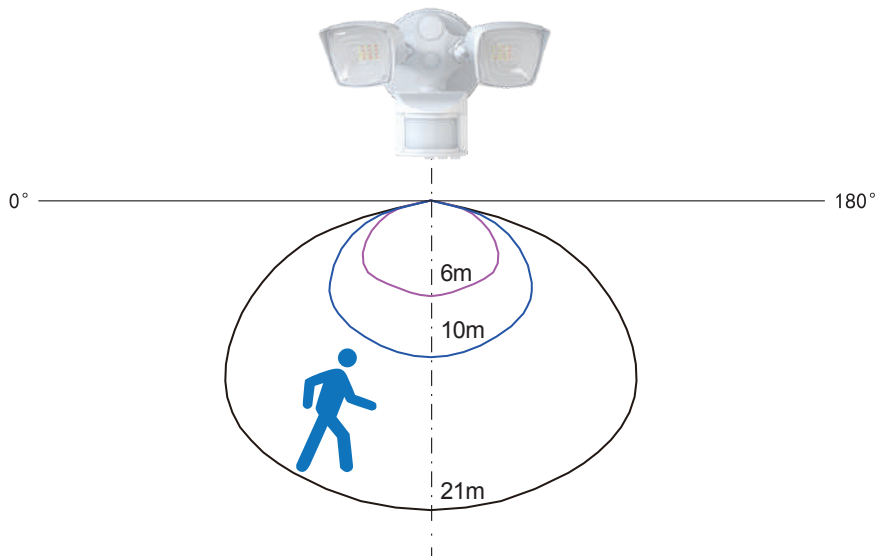
| Model | SF18CR15C25W |
|----------------------|-----------------|
| Length in.(cm) | 9.78inch(24.84) |
| Width in.(cm) | 6.31inch(16.03) |
| Height in.(cm) | 6.63inch(16.84) |
| Net weight kgs.(lbs) | 1.32kgs(2.91) |



Product Details



Detection distance:



PIR Sensor

| Part Number | Technology | Height (Ft) | DetectionArea (M) | Time setting (Min) | Light control (Lux) | IP rating | Temperature (°C) |
|-------------------|------------------------------------|----------------------|---------------------------------|--------------------|-----------------------------------------------------------------|-----------|-------------------------------|
| PIR Sensor | Pyroelectric infrared Sensor (PIR) | 8.2ft is recommended | distance within 21M degree 180° | 5S-5minutes | light on when lux under 50lux light off when lux over 150lux | IP65 | -30°C~+40°C (-40°F~+104°F) |

NOTE : PIR sensor with lux detection controls light on and off.
 When sensitivity is set to ON(PIR detection is switched off), security light will be constant on and can control the light ON/OFF by switch.
 PIR detection range can reach 68.89ft at 8.2ft height installation and sensor set at 45°
 PIR sensor can be adjusted in both side, horizontal 45°and vertical 135°

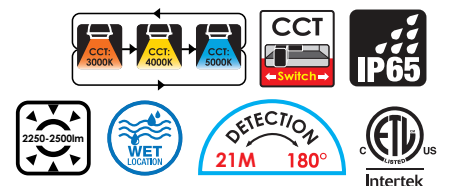
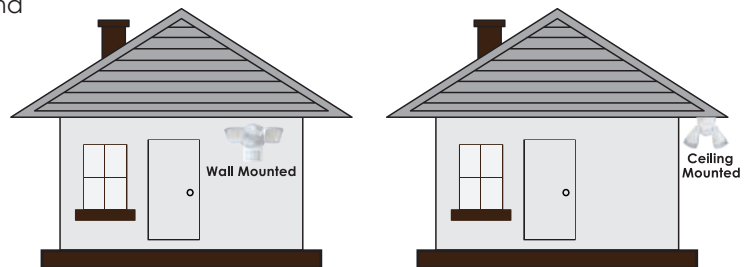
DEFAULT SETTING :

- Brightness : 100%
- Hold Time: 5S
- Sensitivity: High
- Day Light: OFF



Installation recommended:

This product must be installed in accordance with applicable installation code by a person familiar with the construction and operation of the product and the hazards involved.



Data is based upon tests performed in a controlled environment. Actual performance can vary depending on operating conditions. All products are subject to change or may be discontinued any time without notice. Please contact your Votatec customer service representative to confirm inventory levels at time of order

