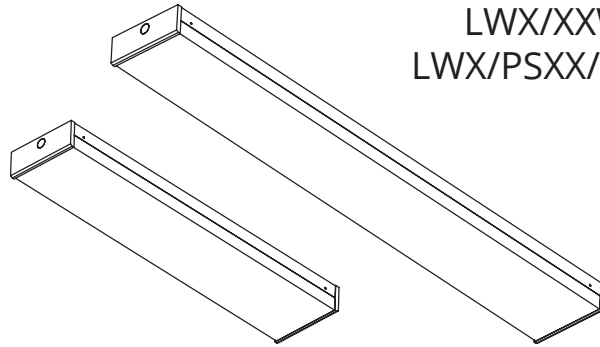




LWX/XXW/840/HD
LWX/PSXX/FCCT3/HD



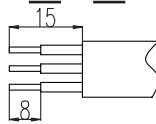
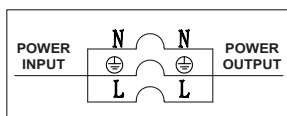
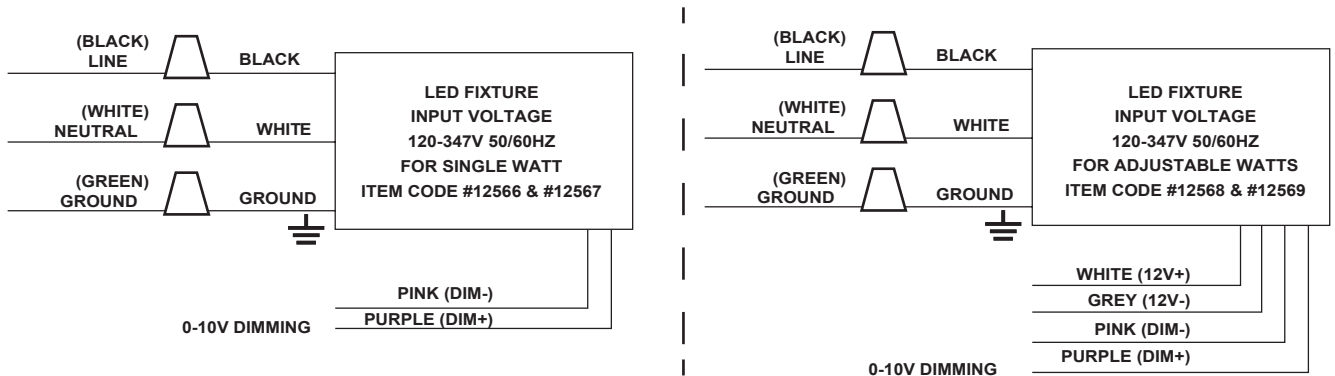
INSTALLATION INSTRUCTIONS

LED Linear Wrap

SAFETY PRECAUTIONS:

- TO REDUCE THE RISK OF ELECTRICAL SHOCK, FIRE, OR INJURY TO PERSONS; READ AND FOLLOW ALL WARNINGS AND INSTALLATION INSTRUCTIONS BEFORE INSTALLING. ALL INSTALLATION SHOULD BE PERFORMED BY A QUALIFIED ELECTRICIAN.
- RISK OF ELECTRIC SHOCK.
- RISK OF FIRE.
- FOR YOUR SAFETY, WHILE PERFORMING INSTALLATIONS DESCRIBED, GLOVES, SAFETY GLASSES OR GOOGLES SHOULD BE WORN.
- INSTALL THIS KIT ONLY IN THE LUMINAIRE WITH THE CONSTRUCTION FEATURES AND DIMENSIONS SHOWN IN THE PHOTOGRAPHS AND/OR DRAWINGS.
- DO NOT MAKE OR ALTER ANY OPEN HOLES IN AN ENCLOSURE OF WIRING OR ELECTRICAL COMPONENTS DURING KIT INSTALLATION.
- TO PREVENT WIRING DAMAGE OR ABRASION, DO NOT EXPOSE WIRING TO EDGES OF SHEET METAL OR OTHER SHARP OBJECTS.
- DO NOT ALTER, RELOCATE, OR REMOVE WIRING, LAMP HOLDERS, POWER SUPPLY, OR ANY OTHER ELECTRICAL COMPONENT.
- MIN 167°F (75°C) SUPPLY.
- SUITABLE FOR OPERATION IN AMBIENT NOT EXCEEDING 122°F (50°C)
- THIS PRODUCT MUST BE INSTALLED IN ACCORDANCE WITH THE APPLICABLE INSTALLATION CODE BY A PERSON FAMILIAR WITH THE CONSTRUCTION AND OPERATION OF THE PRODUCT AND THE HAZARDS INVOLVED.
- FOR DRY LOCATIONS ONLY.

WIRING DIAGRAM:



1. CONNECT THE LAMP SHEATH WIRE WITH THE EXTERNAL POWER SUPPLY WIRE AND CONNECT IT ACCORDING TO THE DIAGRAM.
2. THE LENGTH OF THE SHEATH STRIPPING IS SUGGESTED AS SHOWN ON THE UPPER RIGHT.

WARNING:

NOTE THE L IS A BLACK CONDUCTOR, N IS A WHITE CONDUCTOR, AND THE GROUND IS A GREEN CONDUCTOR. POWER SUPPLY SHOULD NOT BE CONNECT DURING OPERATION.

INSTALLATION:

1. REMOVE THE LED FIXTURE, ENSURE IT IS INTACT, AND REMOVE THE DIFFUSER FOR INSTALLATION.
2. ATTACH THE HOUSING TO THE CEILING WITH THE SCREWS AND THE EXPANSION BOLT.
3. CONNECT POWER WITH THE DRIVER. FOLLOW THE WIRING DIAGRAM AND MAKE SURE THE POWER SUPPLY IS DISCONNECTED BEFORE CONNECTING.
4. ADJUST THE WATTAGE AND CCT WITH THE SWITCH. (If the fixture is single wattage, please skip step#4)
5. INSTALL DIFFUSER BACK TO THE FIXTURE.

