



EEB Emergency Battery Kit

HIGHLIGHTS

- Emergency Battery designed for a quick installation to provide backup power during power outages, ensuring facilities always have a reliable light source
- Integrated safety hook directly latches onto UFO/round high bay's existing eyebolt
- Constant power design provides constant light output for 90 minutes
- Self-diagnostic testing: 30 seconds monthly, 90 minutes annually
- Wireless remote control testing

CERTIFICATIONS

- Evaluated to UL 924 requirements
- CSA C22.2 NO.141 Field or factory installation
- Meets CEC Title 20 efficiency standards
- cULus Listed for Wet Locations
- IP65 Rated
- FCC Compliant
- RoHS Compliant

ELECTRICAL

- Input voltage: 120-347VAC or 277-480VAC
- Input power: 12W (max)
- Output voltage: 170VDC (120-347VAC model) or 500VDC (277-480VAC model)
- Power factor: >0.5
- Emergency operation duration: ≥90 minutes
- Recharge time: 24 hours
- Surge Protection: 3KV
- Auxiliary Power: 12VDC 200mA
- Dimmable: 0-10V dimming

THERMAL

- -32°F to 122°F (0°C to 50°C) operating temperature

CONSTRUCTION

- Aluminium housing with red finish
- Includes Safety Cable (x1) with Chain Link Connector (x2), Hook Bolt (x1), Eyebolt (x1), Cable Glands for Wire Diameter 0.118-0.248" (x2), and Cable Glands for Wire Diameter 0.196-0.393" (x2).

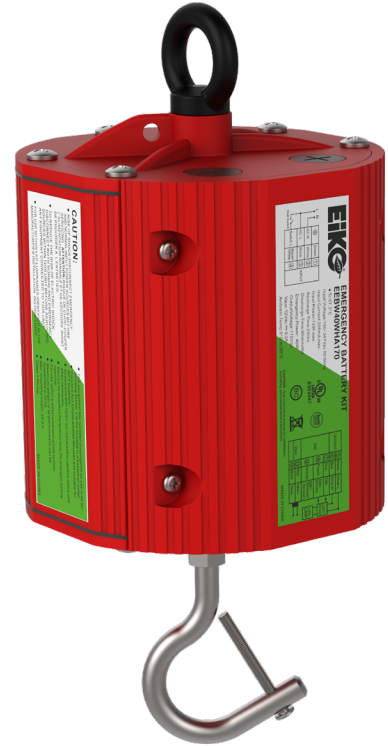
COMPATIBILITY

- Compatible with BAYE2, BAYE3, HBX2, HBX3 series Round High Bays

WARRANTY

- 5-Year limited warranty available [online](#). Contact your EiKO sales rep for additional details.

project name	type
catalog number	voltage
approved by	date



APPLICATIONS

Used as a backup battery for UFO/round high bays commonly installed in:

- Warehouses
- Gyms

AVAILABLE MODELS

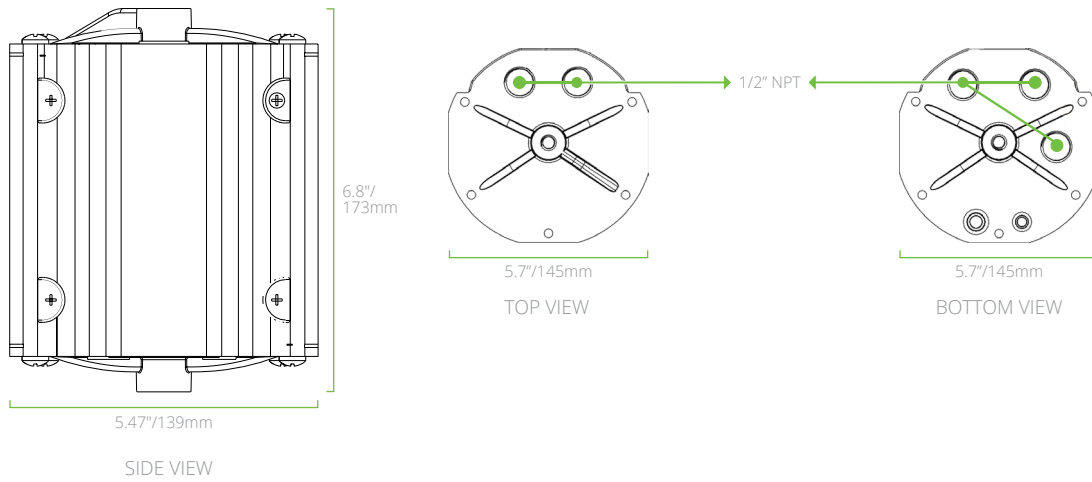
ORDER CODE	ITEM #	INPUT VOLTAGE	MAXIMUM CURRENT	OUTPUT POWER	RATED OUTPUT CURRENT	OUTPUT VOLTAGE	MAX. FIXTURE WATTAGE	RECHARGE TIME
12901	EEBW40WHA170	120-347VAC	200mA	40W	Varies with Load	170VDC	320W and Below	24 Hours
12902	EEBW40WVA500	277-480VAC	200mA	40W	Varies with Load	310-500VDC	320W and Below	24 Hours

Prior to installation, customer should verify suitability for the application. Contact EiKO for information regarding use with EiKO LED fixtures.

ACCESSORIES

ORDER CODE	ITEM #	DESCRIPTION
13293	RC-001	Remote Control for EEBW Emergency Battery
10741	BAY-E-PA-3/4NPS-BK	BAY-E Pipe Adapter for 3/4 NPS

PRODUCT DIMENSIONS



PRODUCT EXPLODED VIEW

