

## EBF INSTALLATION GUIDELINE

### Emergency Battery Football

#### INSTALLATION INSTRUCTIONS FOR EBF-40-3

#### WHAT'S IN THE BOX

- EBF emergency battery driver
- 5 x cable glands
- ½" NPT threaded double ended connector
- 2 x eye bolt
- Test remote

#### WHAT YOU'LL NEED

- Wiring supplies as per national and local electrical codes
- Hex driver – 2.5mm
- #2 Phillips screwdriver

#### IMPORTANT

Before installing emergency driver, read all instructions and retain for future reference. The important instructions and safeguards that appear in this document are not inclusive of all possible conditions and situations that may occur. It must be understood that common sense, caution, and care are factors that cannot be built into a product. These factors must be supplied by those that care and operate the emergency driver. Consider a qualified licensed electrician for installation.

For additional information required not covered in this document please contact a local representative.



#### WARNING AND SAFETY

- Risk of fire or electric shock.
- Ensure power is OFF at the electrical panel before starting installation or maintenance
- Verify site supply voltage matches emergency battery and luminaire product labels
- Ensure wiring connections are not exposed during operation
- Modifications to the product will void warranty
- Ambient temperature range under normal operation not to exceed:  
0°C to 50°C (32°F to 122°F)
- The emergency battery requires an un-switched AC power source of 100-347V. The luminaires AC driver must be on the same branch circuit as the emergency battery
- Confirm that the luminaire is not greater than 300W. If greater than 300W the discharge time will be shortened and may not pass safety codes
- Wiring to emergency battery must be in accordance with the National Electrical Code and all applicable local electrical and safety regulations



## LUMEN OUTPUT DURING EMERGENCY OPERATION

1

Determine the fixture's efficacy under normal conditions based on the fixtures published data in lumens per watt (lm/W).

2

Reference DLC QPL ([www.design-lights.org](http://www.design-lights.org)) for rated data on fixture efficacy.

3

Multiply the rated output power of the emergency battery by the fixture's efficacy.

Example (EBF-40-3 installed with PREMISE HBX2-1504-2): 40W x 153 lm/W = 6,120 lm

## SELF-DIAGNOSTIC

Before installing emergency driver, read all instructions and retain for future reference. The important instructions and safeguards that appear in this document are not inclusive of all possible conditions and situations that may occur. It must be understood that common sense, caution, and care are factors that cannot be built into a product. These factors must be supplied by those that care and operate the emergency driver. Consider a qualified licensed electrician for installation.

- **Monthly** – During AC mode, the system conducts a 30 second self-discharge test of the emergency LED driver every 30 days. Upon completion of the 30 second discharge, operation will return to normal.
- **Annually** – During AC mode, the system conducts a 90 minute self-discharge test of the emergency LED driver every 365 days. Upon completion of the 90 minute discharge, operation will return to normal.

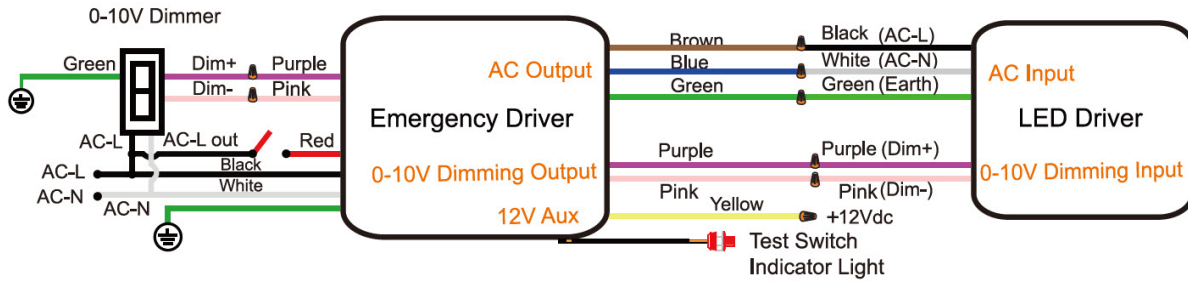
**Note: Written records of the monthly and annual testing should be recorded by the owner for authorities to inspect**

## INSTALLATION

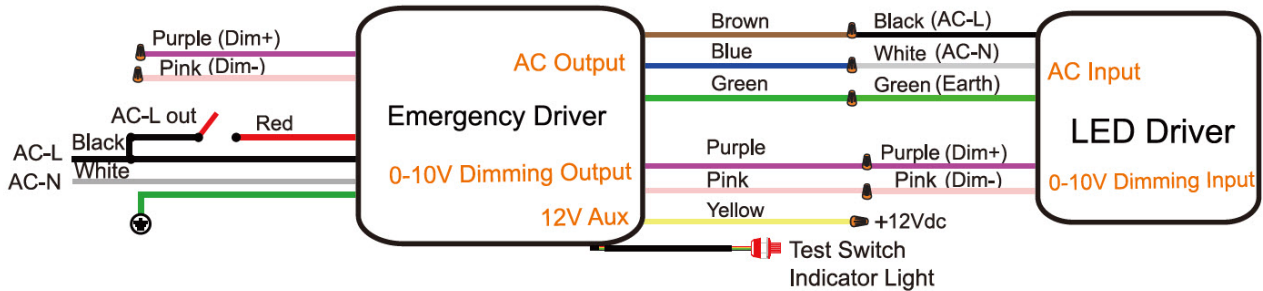
### WIRING THE EMERGENCY DRIVER

- Select the appropriate wiring diagram from the following schematics.
- Cover any unused wire with wire nuts and make sure all connections are made in accordance with the NEC and any local regulations.
- Dimming wires must be connected in order for the emergency battery to work properly.

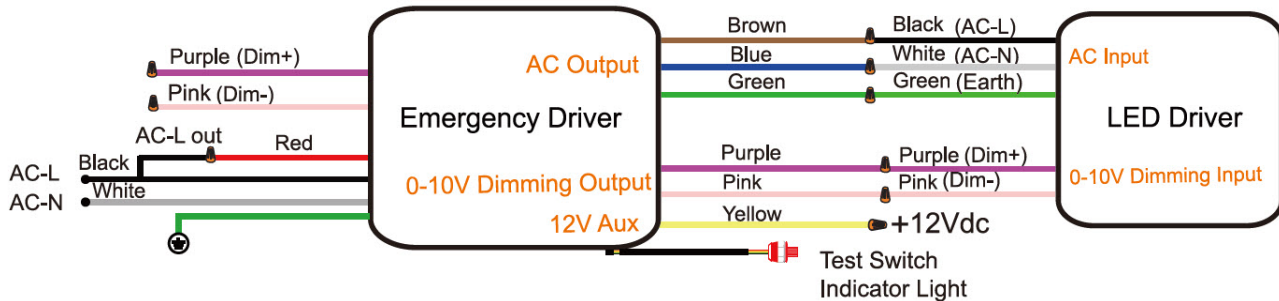
SWITCH WITH DIMMING, FIXTURE WITH 0-10V DIMMING LEADS



SWITCH WITHOUT DIMMER, DRIVER WITH 0-10V DIMMING LEADS

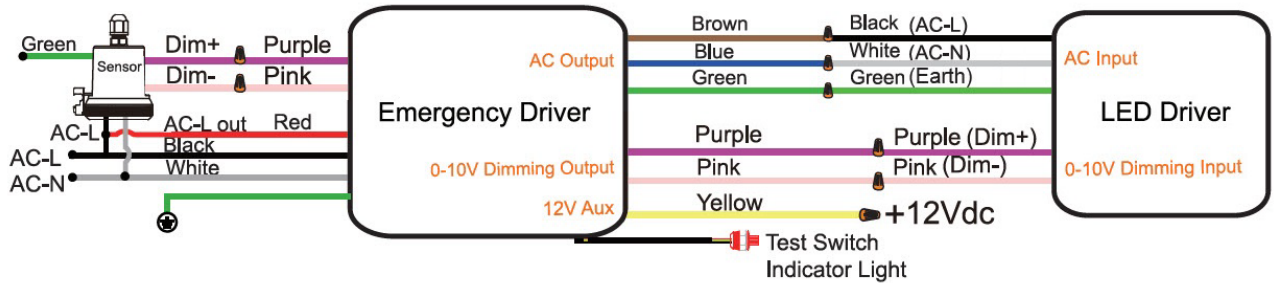


NO SWITCH, NO DIMMING, DRIVER WITH 0-10V DIMMING LEADS, 24-HOUR LIGHTING

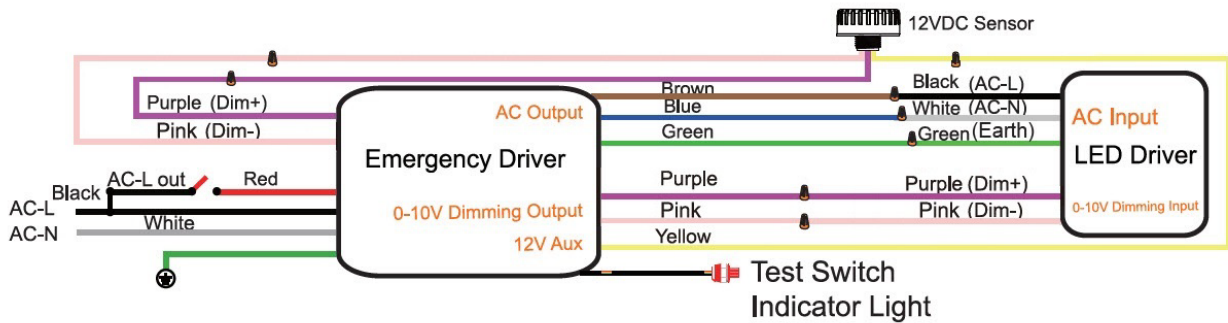


## INSTALLATION INSTRUCTIONS CON'T

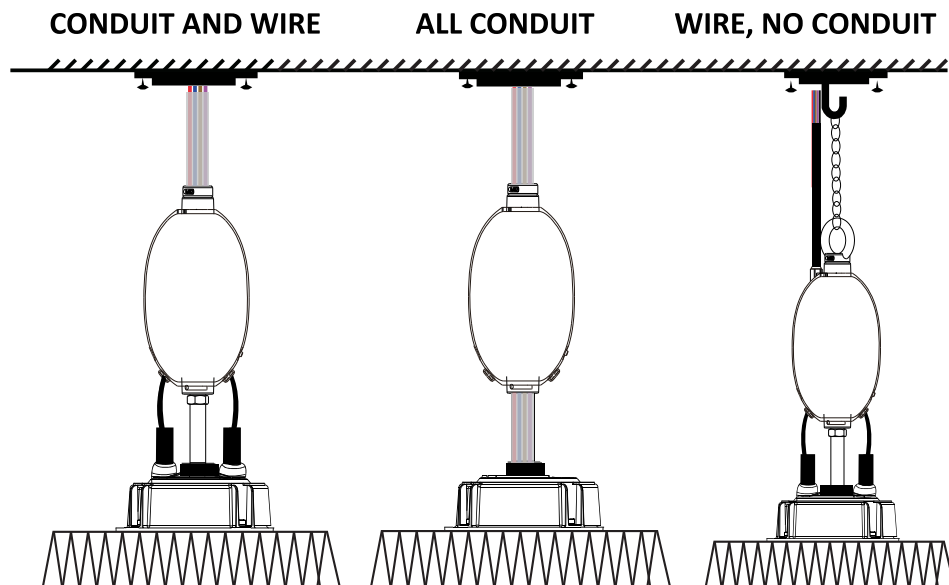
### 120-277V SENSOR WITH DIMMING



### 12VDC SENSOR WITH DIMMING



## MOUNTING CONFIGURATIONS



## TESTING

- Press the ON button on the remote to test emergency function. The luminaire will switch to emergency mode and the output power will come from the emergency battery.
- Note:** Remote must be pointed at the indicator light and be at a 45-degree angle to send signal to emergency battery.
- Press the OFF button to return to normal operation
  - If 24/7 power has been removed, pressing the OFF button will turn off the luminaire.