



FL Flood Light

FEATURES

- Low profile and versatile lightweight design
- Standard with yoke mount for easy out-of-the-box installation; ready for most applications
- Easily mounts to waterproof J-Box wall, pole, or tenon
- Includes standard photocell for dusk-to-dawn functionality
- PowerSet feature allows for multiple “set and forget” lumen stops in each fixture
- FieldCCeT feature allows for multiple “set and forget” CCT options in each fixture

CERTIFICATIONS

- UL Certified for US & Canada
- RoHS Compliant
- FCC Compliant
- IP65 Rated
- DesignLights Consortium® Premium Qualified - meets the requirements for the highest DLC qualification for efficacy and lumen maintenance

PERFORMANCE

- Rated lifetime:
 - L70: >50,000 hours
- 3,150 lm @ 30W
- 5,250 lm @ 50W
- 13,000 lm @ 100W
- 19,500 lm @ 150W
- PowerSet: 19,500/13,000/10,400 lm @ 150/100/80W
- 5000K CCT
- FieldCCeT: 50/40/3000K
- CRI: >70

ELECTRICAL

- Input voltage: 120-277V
- 0-10V dimming
- Driver efficiency: >85%
- Power Factor: >0.9
- THD: <20%
- Surge Protection:
 - FL1/FL2: 2KV
 - FL3/FL4: 4KV

THERMAL

- -40°F to 104°F (-40°C to 40°C) operating temperature

CONSTRUCTION

- Aluminum construction with durable powder coating
- Impact-resistant glass lens
- Standard G ½ base for Knuckle Accessory

WARRANTY

- 5 Year limited warranty available [online](#). Contact your EiKO sales rep for additional details.

project name	type
catalog number	voltage
approved by	date



FLOOD LIGHT
with standard yoke (bracket included)

OPTIONAL ACCESSORIES



KNUCKLE
for FL1 and FL2



TRUNNION
for FL3 and FL4



SLIPFITTER
for FL3 and FL4



APPLICATIONS

- Exterior perimeters
- Pathways
- Building facades
- Parking lots
- Parking garages
- Athletic fields
- Campuses
- Exterior security lighting
- Entryways

AVAILABLE MODELS

ORDER	ORDER CODE	ITEM #	WATTS	CCT	LUMENS	EFFICACY (lm/W)	DIMMING	VOLTAGE	TRADITIONAL WATTAGE EQUIVALENT	DLC
										PREMIUM
	12334	FL1/30W/7FCCT/UD/Y/PC	30W	30/40/5000K	3900 lm	130 lm/W	0-10V	120-277V	Up to 70W HID	POTPXFV
	12335	FL2/50W/7FCCT/UD/Y/PC	50W	30/40/5000K	6500 lm	130 lm/W	0-10V	120-277V	Up to 100W HID	PK21RMMQ
	12336	FL3/100W/7FCCT/UD/Y/PC	100W	30/40/5000K	13,000 lm	130 lm/W	0-10V	120-277V	Up to 250W HID	PY8XY3W
	12338	FL3/100W/750/UD/Y/PC	100W	5000K	13,000 lm	130 lm/W	0-10V	120-277V	Up to 360W HID	POTQ4SIX
	12337	FL4/PS150/7FCCT/UD/Y/PC	150/100/80W	30/40/5000K	19,500/13,000/10,400 lm	130 lm/W	0-10V	120-277V	Up to 250W HID	P0E2LV17
	12339	FL4/150W/750/UD/Y/PC	150W	5000K	19,500 lm	130 lm/W	0-10V	120-277V	Up to 360W HID	PMCUPYT8

Note: FieldCCEt ships at 5000K; PowerSet ships at highest wattage

MODEL CONFIGURATOR

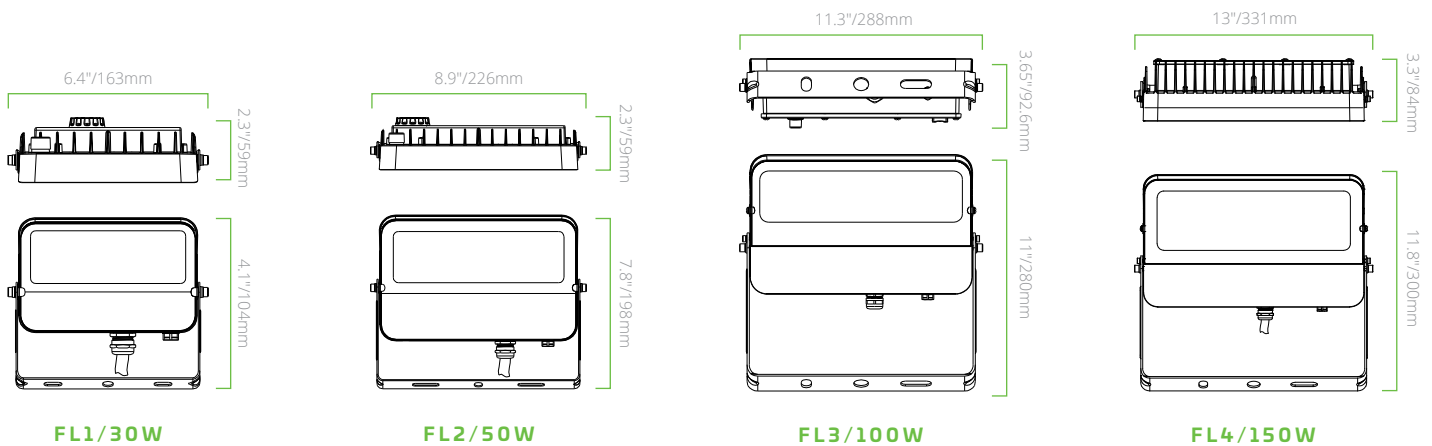
MODEL	-	WATTS	-	CRI/CCT	-	VOLTAGE AND DIMMING	-	MOUNT	-	PHOTOCELL
	-		-		-	UD	-	Y	-	PC

EXAMPLE PART NUMBER: FL3/100W/750/UD/Y/PC

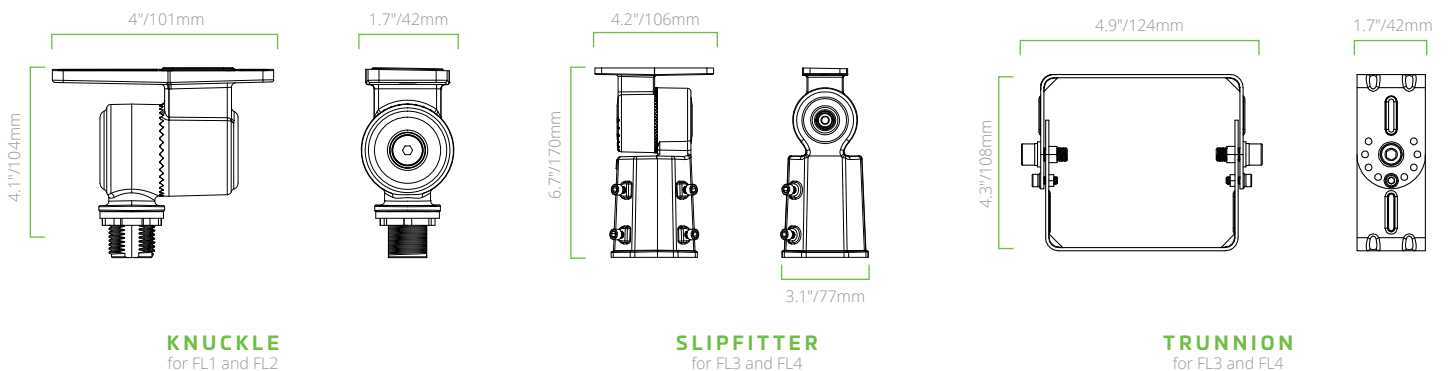
ACCESSORIES

ORDER	ORDER CODE	ITEM #	DESCRIPTION
	12341	FL1/2-KACC	Flood Light, Knuckle for FL1 and FL2
	12340	FL3/4-TACC	Flood Light, Trunnion for FL3 and FL4
	12342	FL3/4-SACC	Flood Light, Slipfitter for FL3 and FL4

PRODUCT DIMENSIONS

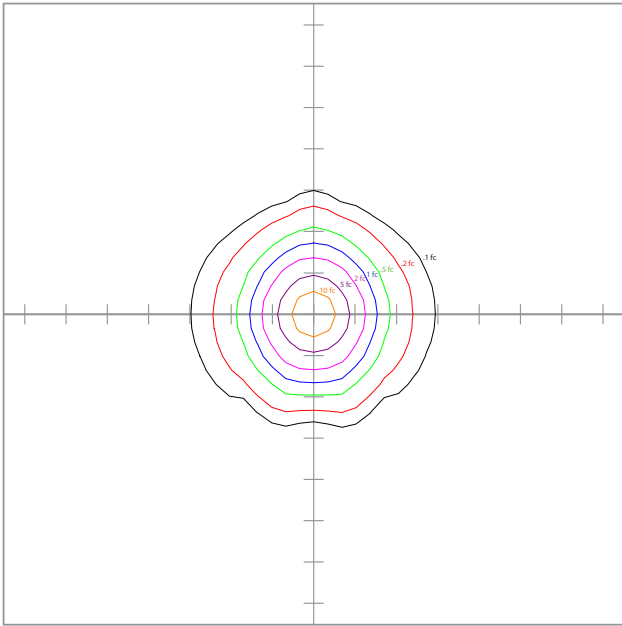


ACCESSORY DIMENSIONS

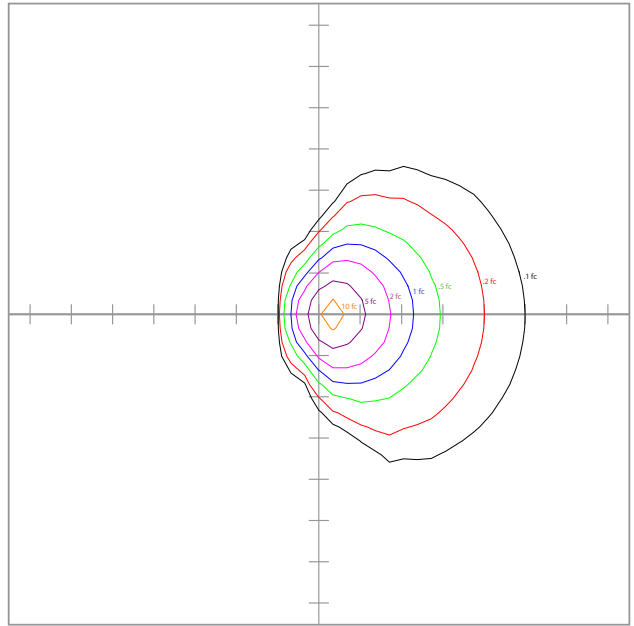


DISTRIBUTION

FLOOD LIGHT 30W (Typical performance @ 5000K)



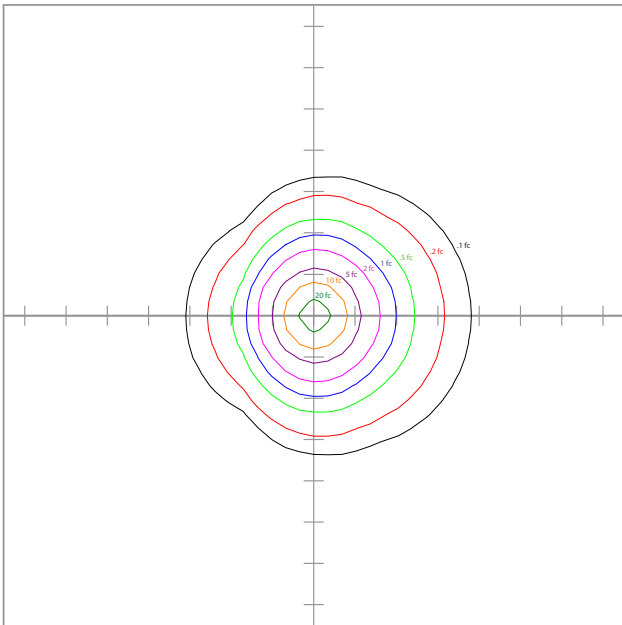
LUMINAIRE TILTED AT 0°



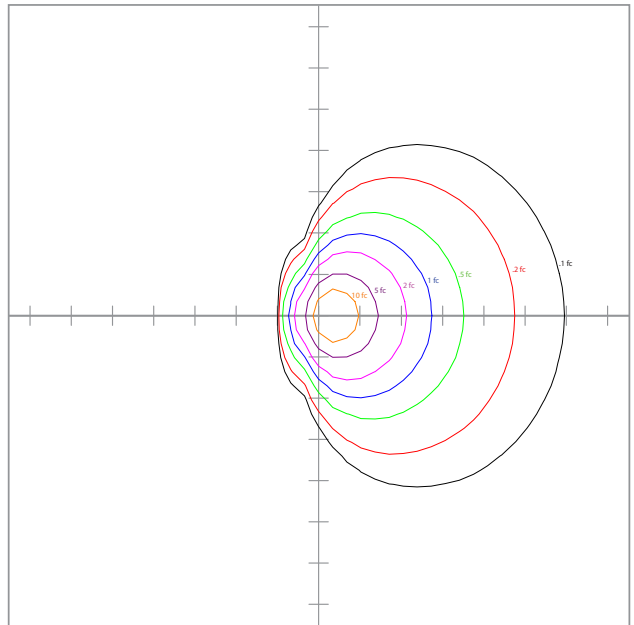
LUMINAIRE TILTED AT 45°

Distances are in units of mounting height (20').

FLOOD LIGHT 50W (Typical performance @ 5000K)



LUMINAIRE TILTED AT 0°

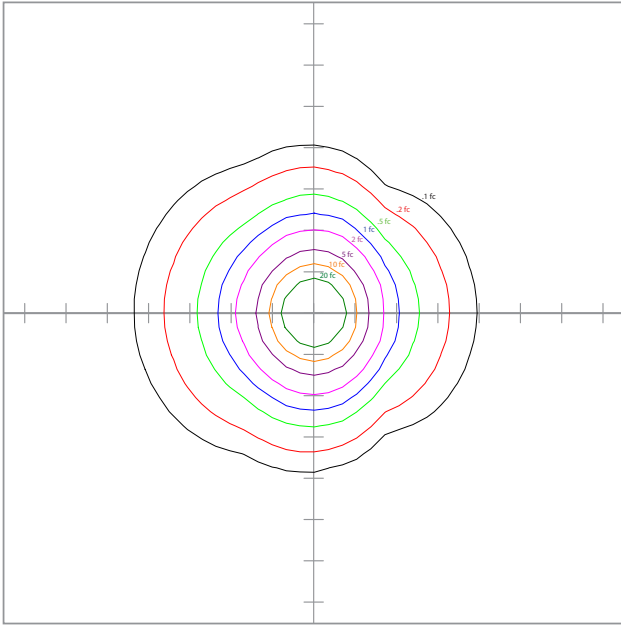


LUMINAIRE TILTED AT 45°

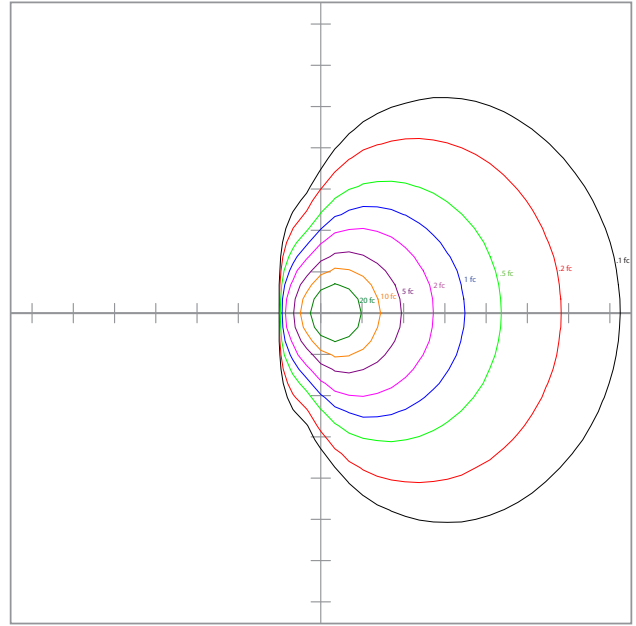
Distances are in units of mounting height (20').

DISTRIBUTION

FLOOD LIGHT 100W (Typical performance @ 5000K)



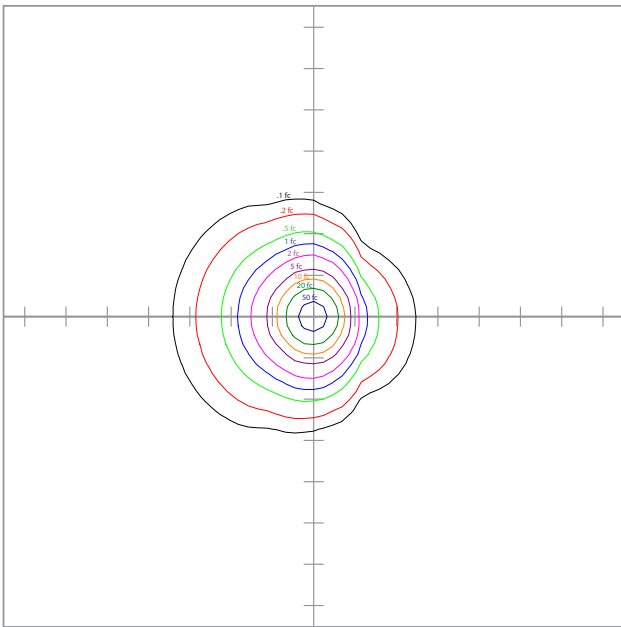
LUMINAIRE TILTED AT 0°



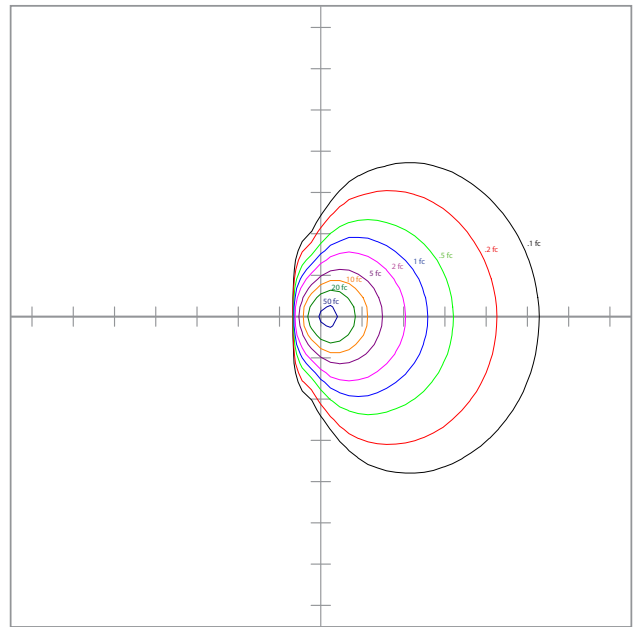
LUMINAIRE TILTED AT 45°

Distances are in units of mounting height (20').

FLOOD LIGHT 150W (Typical performance @ 5000K)



LUMINAIRE TILTED AT 0°



LUMINAIRE TILTED AT 45°

Distances are in units of mounting height (20').