

FOR UNDERGROUND SERVICE ONLY

RATING: 400 AMP MAIN
240V MAX. 200 AMP PER
POSITION.
BREAKER NOT INCLUDED

NOTE: FOR ABB BREAKERS RATED
RATED 100-200AMPS MAXIMUM
ABB TYPE TQD OR THQD

NOTE: LINE SIDE COVER
INTERNAL LATCH REQUIRES
REMOVAL OF FIRST METER
COVER TO REMOVE LINE
COVER.

UNLESS OTHERWISE SPECIFIED
ALL DIMENSIONS SHOWN APPLY AFTER
PLATINGS AND COATINGS

TOLERANCES APPLY AS SHOWN BELOW

DECIMAL PLACES	INCHES	MILLIMETRES
.XXX	± .005	± 0.1
.XX	± .010	± 0.3
.X	± .020	± 0.5

ANGULAR DIMENSIONS

XX*	±0.5°
XX.X*	±0.1°

SURFACE ROUGHNESS

	MICROINCH	MICRON
	63	1.6

CAD MAINTAINED DATA
CHANGES SHALL BE INCORPORATED
ELECTRONICALLY

PROPRIETARY

NOT TO BE DISCLOSED OR REPRODUCED IN ANY
MANNER WITHOUT THE EXPRESS WRITTEN
PERMISSION OF HYDEL

THIRD ANGLE PROJECTION

REV	DATE	REV BY	CHANGE
A	NOV 09/22	HS	CSA 115-20 CHANGES
DRAWN BY		PJS	JAN 20/20
APPROVED BY		SAS	

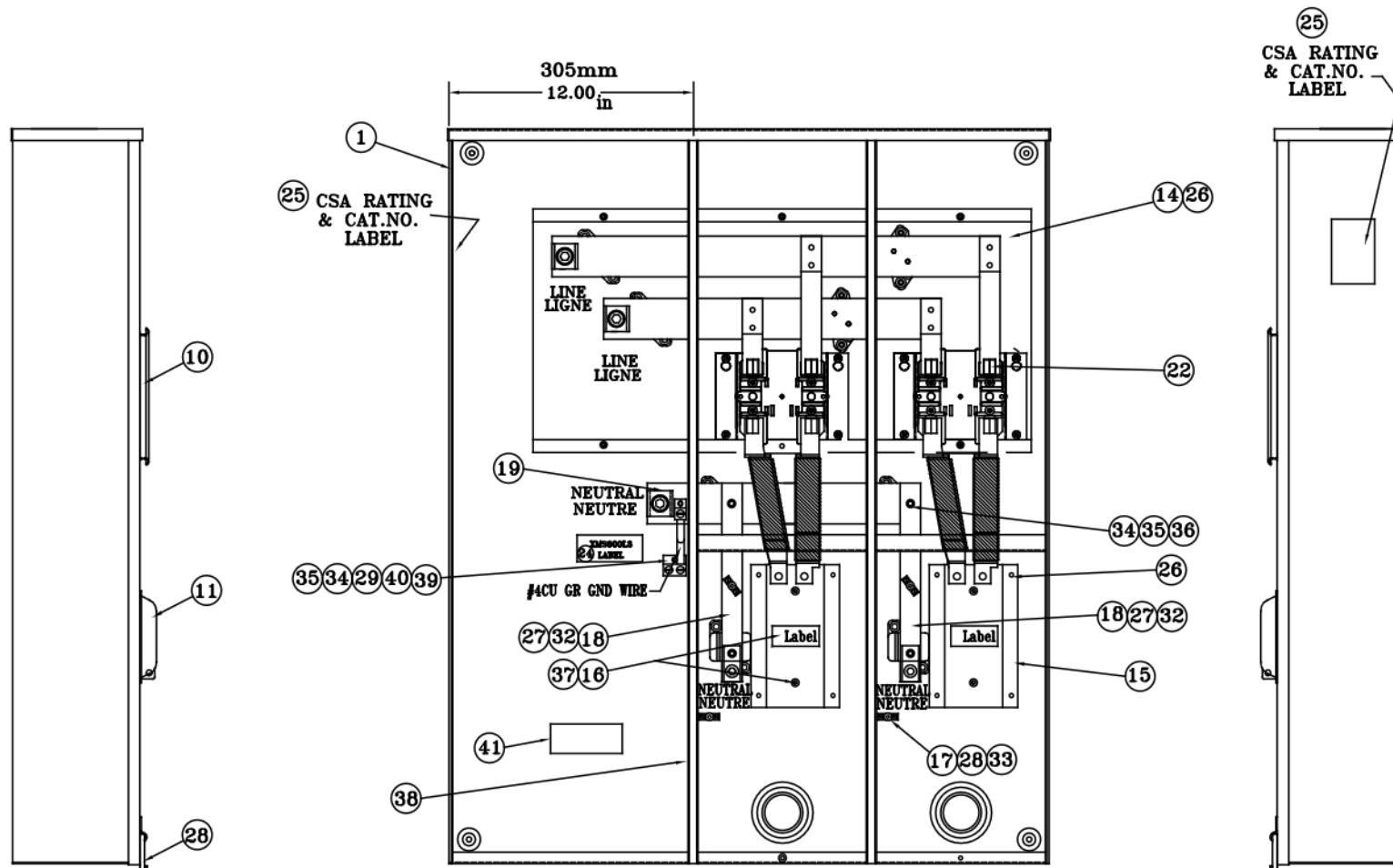
 a division of Circo Enterprises Inc.		TITLE: 400A MAIN-200A/POS MULTI-GANG COMB.METER SOCKET/BREAKER	
		PART NO. JAL42RX-COGE	REV. A
DWG NO. JAL42RXC0GE		SHEET 1 OF 3	

6 5 4 3 2 1

F
E
D
C
B
A


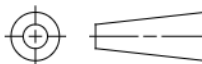
F
E
D
C
B
A

6 5 4 3 2 1



LINE: DUAL RATED CONNECTOR, ONE 600MCM-1/0 OR TWO 250MCM-1/0 CU/AL
 LOAD: SINGLE 250MCM-6 CU/AL

NEUTRAL - INSULATED, CONNECTED TO ENCLOSURE WITH #4CU GREEN WIRE
 (WHERE ELECTRICAL AUTHORITIES REQUIRE THE NEUTRAL ASSEMBLY TO BE
 DISCONNECTED FROM THE ENCLOSURE - REMOVE WIRE)

UNLESS OTHERWISE SPECIFIED ALL DIMENSIONS SHOWN APPLY AFTER PLATINGS AND COATINGS TOLERANCES APPLY AS SHOWN BELOW			CAD MAINTAINED DATA CHANGES SHALL BE INCORPORATED ELECTRONICALLY			 a division of Circo Enterprises Inc. 400A MAIN-200A/POS MULTI-GANG COMB.METER SOCKET/BREAKER			
DECIMAL PLACES	INCHES	MILLIMETRES	PROPRIETARY NOT TO BE DISCLOSED OR REPRODUCED IN ANY MANNER WITHOUT THE EXPRESS WRITTEN PERMISSION OF HYDEL						A
XXX	± .005	± 0.1	THIRD ANGLE PROJECTION 			REV	DATE	REV BY	CHANGE
.XX	± .010	± 0.3				DRAWN BY	PJS	JAN 20/20	PART NO.
.X	± .020	± 0.5	SURFACE ROUGHNESS MICROINCH 63 MICRON 1.6			APPROVED BY	SAS	DWG NO	JAL42RXCAGE
ANGULAR DIMENSIONS						XX* ±0.5° XX.X* ±0.1°			SHEET

1

2

3

4

5

6

ITEM NO.	PART NO.	DESCRIPTION	QTY.	ITEM NO.	PART NO.	DESCRIPTION	QTY.
1	ZMS669BA32	Box Assembly 2 Pos.	1	38	YMS675L10	Rain Channel	2
2				39	XLUG0031	Lug 1/0-14 Double	1
3				40	XWIRE0024	Wire #4 Green Copper 3-1/2 in.	.3ft
4				41	XMS600L7	LABEL PERMANENTLY BONDED NEUTRAL ASSEMBLY	1
5				42	XMS600L8	LABEL- MOVE LATCH UPWARDS	1
6				43			
7				44			
8							
9	ZMS670CA16	Cover Assembly - Line	1				
10	ZMS670CA13	Cover Assembly - Meter	2				
11	ZMS670CASSY14	Cover Assembly - Breaker	2				
12	XMS664	Meter Ring Assembly	2				
13	XMS46FD	Filler Disc.	2				
14	ZMS687A4	Bridge Assembly Meter JAL42R	1				
15	YMS418BR6	Bridge For Breaker	2				
16	XMS600L5	Label ABB Breaker Type	2				
17	XMS122GL	Ground Lug	2				
18	ZMS291NA40	Neutral Bar Assembly - Load	2				
19	ZMS291NA41	Neutral Bar Assembly - Main	1				
20							
21							
22	XMS8A	Jaw Shroud	4				
23							
24	XMS600L3	Label - remove bonding wire	1				
25	JAL42RX-COGE	Label - CSA rating label (sim to MS29A36)	2				
26	XSCR007	Screw 10-32 x 1/4 TYPE C	13				
27	XSCR003	Screw 10-32 x 1/2 TYPE C	10				
28	XSCR045	Screw 10-32 x 7/8 TYPE C	2				
29	XSCR021	Screw 1/4-20 x 1/2 TYPE MS	1				
30							
31							
32	XFW0010	Washer Flat #10 0.44 OD. 0.218 ID 0.040T	8				
33	XLW0011	Lockwasher #10	2				
34	XFW0002	Washer Flat 1/4"	3				
35	XLW0002	Lockwasher 1/4"	3				
36	XNUT0011	Hex Nut 1/4-20	2				
37	XSCR168	Screw 8-32 x 2-3/4 MS	4				

UNLESS OTHERWISE SPECIFIED
ALL DIMENSIONS SHOWN APPLY AFTER
PLATINGS AND COATINGS

TOLERANCES APPLY AS SHOWN BELOW

DECIMAL PLACES	INCHES	MILLIMETRES
.XXX	± .005	± 0.1
.XX	± .010	± 0.3
.X	± .020	± 0.5

ANGULAR DIMENSIONS

XX*	±0.5°
XX.X*	±0.1°

SURFACE ROUGHNESS

MICROINCH	MICRON
63	1.6

CAD MAINTAINED DATA
CHANGES SHALL BE INCORPORATED
ELECTRONICALLY

PROPRIETARY
NOT TO BE DISCLOSED OR REPRODUCED IN ANY
MANNER WITHOUT THE EXPRESS WRITTEN
PERMISSION OF HYDEL

THIRD ANGLE PROJECTION

REV	DATE	REV BY	CHANGE
A	NOV 09/22	HS	CSA 115-20 CHANGES
DRAWN BY		PJS	JAN 20/20
APPROVED BY		SAS	

a division of Circa Enterprises Inc.

TITLE: **400A MAIN-200A/POS
MULTI-GANG COMB.METER
SOCKET/BREAKER**

PART NO.	JAL42RX-COGE	REV.	A
DWG NO	JAL42RXCAGE	SHEET	3 OF 3

6

|

5

|

4

|

3

|

2

|

1