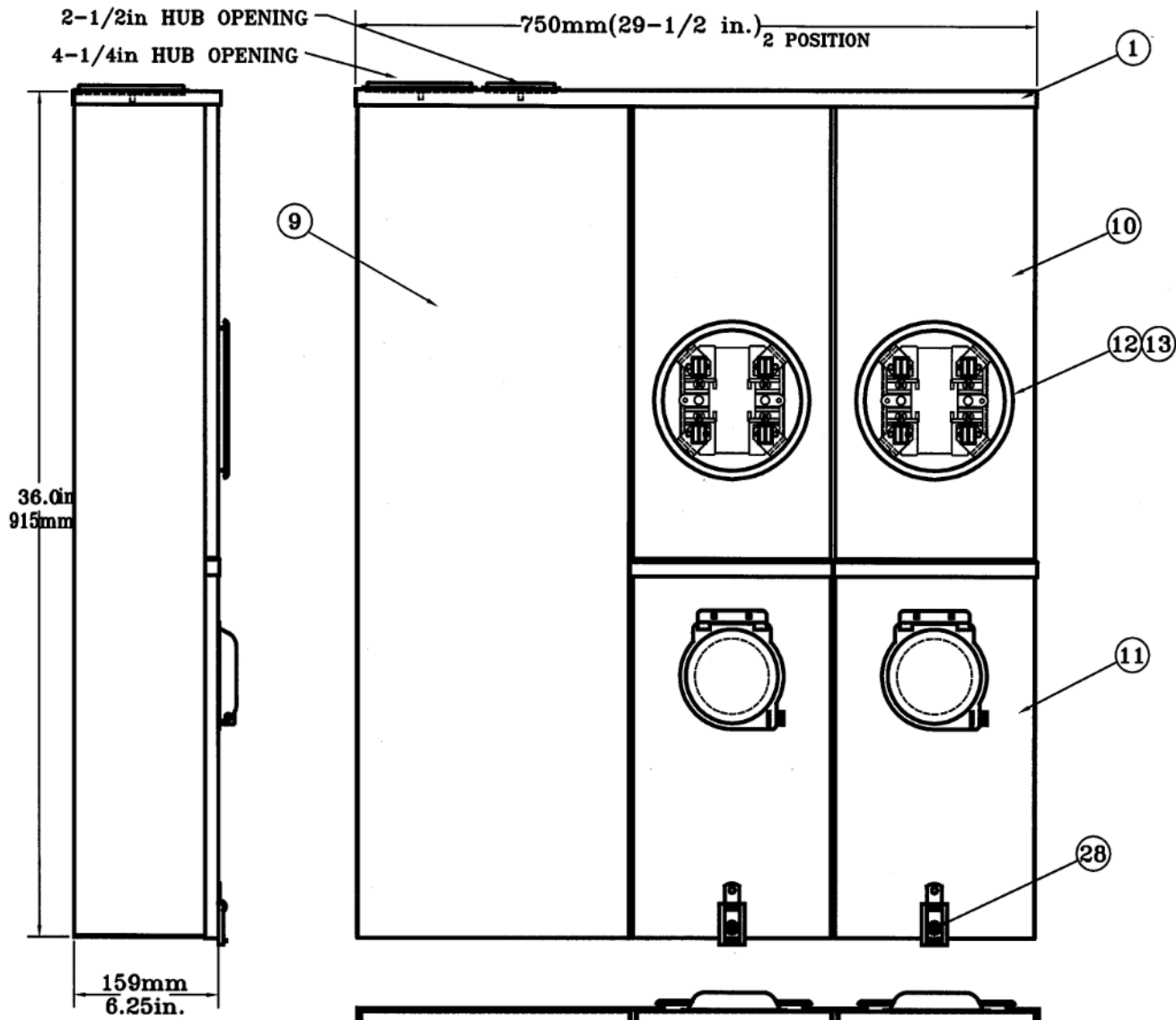


This Document should be DISCARDED if found detached from a Work Order

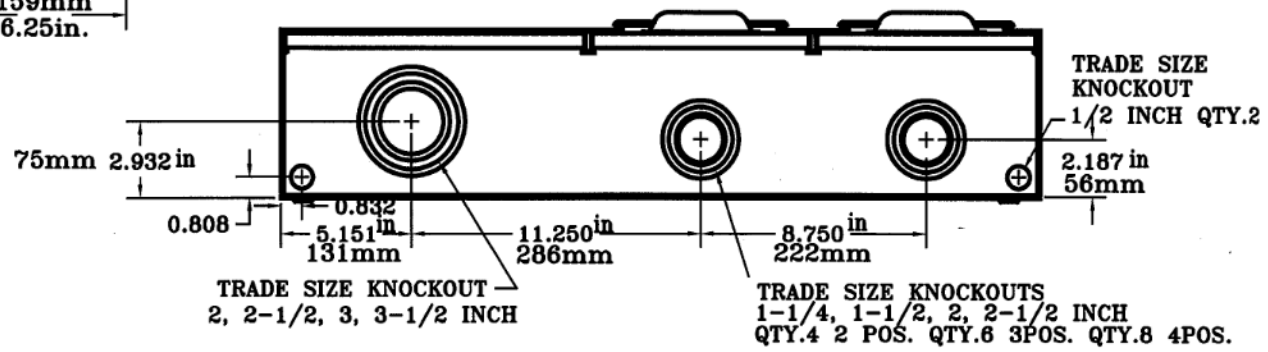


COMBINATION OVERHEAD/UNDERGROUND  
(NOTE: CHECK WITH LOCAL ELECTRICAL AUTHORITES FOR ACCEPTANCE OF USE AS UNDERGROUND)


RATING: 400 AMP MAIN  
240V MAX. 200 AMP PER POSITION.  
BREAKER NOT INCLUDED

NOTE: FOR GE BREAKERS RATED RATED 100-200AMPS MAXIMUM  
GE TYPE TQD OR THQD

NOTE: LINE SIDE COVER INTERNAL LATCH REQUIRES REMOVAL OF FIRST METER COVER TO REMOVE LINE COVER.



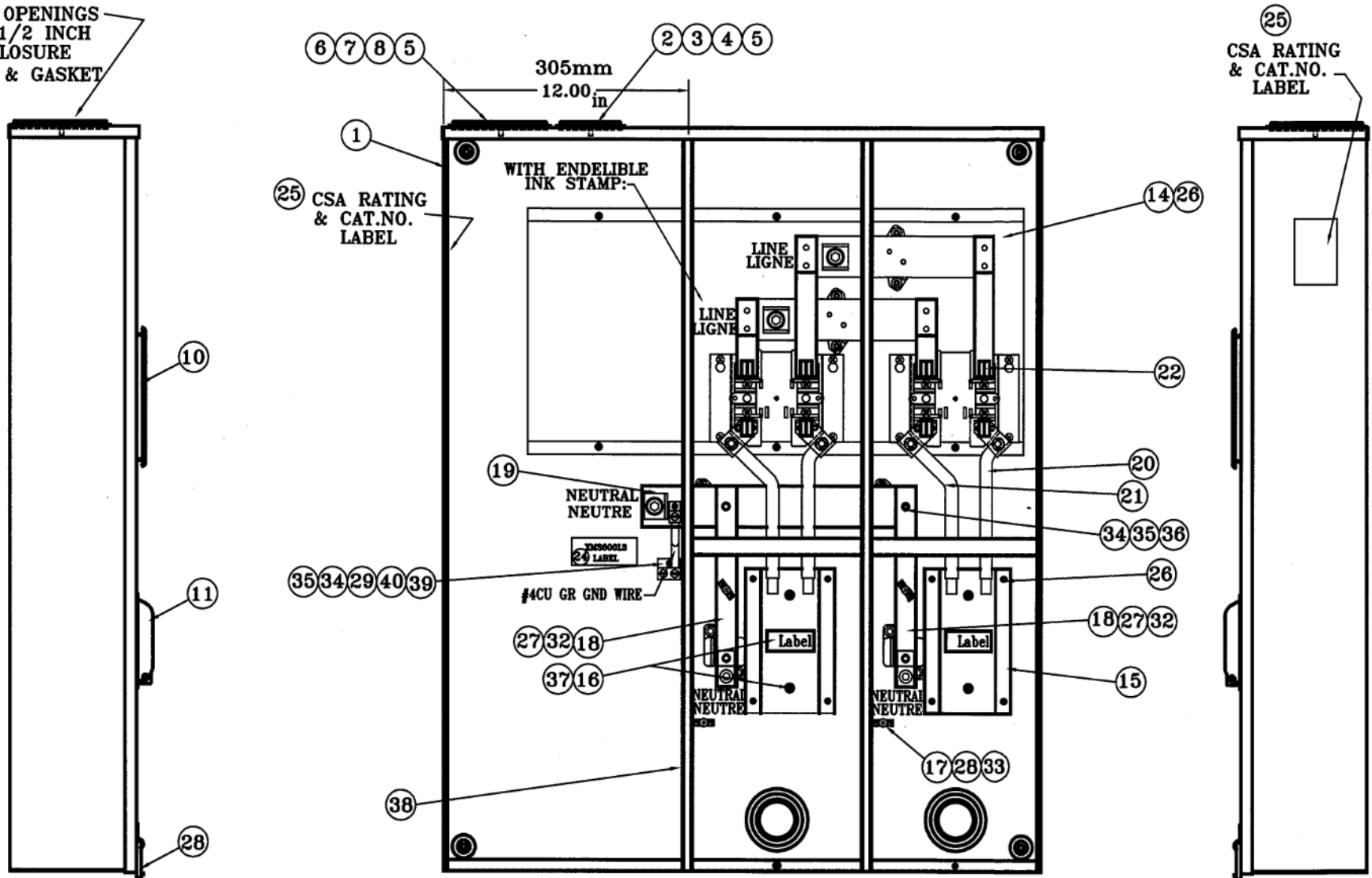
REV	DATE	CHANGE
DO NOT SCALE		
SCALE:	ALL DIMENSIONS ARE IN INCHES UNLESS NOTED	
DRN BY:	PJS	DATE: JAN.20/20
APP'D BY:	[Signature]	DATE:



**HYDEL ENTERPRISES**  
DIVISION OF CIRCA METALS INC.  
206 GREAT GULF DRIVE, VAUGHAN

REV.	SHEET 1 OF 2
DESCRIPTION 400A MAIN-200A/POS MULTI-GANG COMB.METER SOCKET/BREAKER	
PART NO.	JA42RX-COGE
DWG. NO.	JA42RXcoge

HUB OPENINGS  
4&2-1/2 INCH  
c/w CLOSURE  
PLATE & GASKET



LINE: DUAL RATED CONNECTOR, ONE 600MCM-1/0 OR TWO 250MCM-1/0 CU/AL  
LOAD: SINGLE 250MCM-6 CU/AL

NEUTRAL - INSULATED, CONNECTED TO ENCLOSURE WITH #4CU GREEN WIRE JUMPER  
(WHERE ELECTRICAL AUTHORITIES REQUIRE THE NEUTRAL ASSEMBLY TO BE  
DISCONNECTED FROM THE ENCLOSURE - REMOVE WIRE)



HYDEL ENTERPRISES  
DIVISION OF CIRCA METALS INC.  
206 GREAT GULF DRIVE, VAUGHAN

REV	DATE	CHANGE	REV.	SHEET 2 OF 2
DO NOT SCALE			DESCRIPTION 400A MAIN-200A/POS	
SCALE:	ALL DIMENSIONS ARE IN INCHES UNLESS NOTED		MULTI-GANG COMB METER SOCKET/BREAKER	
DRN BY:	PJS	DATE: JAN.20/20	PART NO. JA42RX-COGE	
APP'D BY:		DATE:	DWG. NO. JA42RXcoge	


This Document should be DISCARDED if found detached from a Work Order

ITEM NO.	PART NO.	DESCRIPTION	QTY.
1	ZMS595BA47	Box Assembly 2 Pos.	1
2	ZMS428HP3	Hub Plate	1
3	XMS616	Gasket - small hub opening	1
4	YMS115HS1	Hub Strap	1
5	XNUT0001	Wing Nut 1/4-20	2
6	ZMS428	Hub Plate - Large	1
7	XMS619	Gasket - large hub opening	1
8	YMS115HS2	Hub Strap	2
9	ZMS590CA7	Cover Assembly - Line	1
10	ZMS590CA4	Cover Assembly - Meter	2
11	ZMS606BCA2	Cover Assembly - Breaker	2
12	XMS7050916	Meter Ring Assembly	2
13	XMS46FD	Filler Disc.	2
14	ZMS640A1	Bridge Assembly Meter JA42R	1
15	YMS418BR6	Bridge For Breaker	2
16	XMS600L5	Label - GE Breaker Type	2
17	XMS122GL	Ground Lug	2
18	ZMS291NA40	Neutral Bar Assembly - Load	2
19	ZMS291NA41	Neutral Bar Assembly - Main	1
20	YMS501W7	Wire 3/0 8-1/8 lgth	2
21	YMS502W4	Wire 3/0 8-3/4 lgth	2
22	XMS8A	Jaw Shroud	4
23	X6150646	Lug 1/0-14 cu-al IIsco TA-0	1
24	XMS600L3	Label - remove bonding wire	1
25	JA42RX-COGE	Label - CSA rating label (sim to MS29A36)	2
26	XSCR007	Screw 10-32 x 1/4 TYPE C	13
27	XSCR003	Screw 10-32 x 1/2 TYPE C	10
28	XSCR045	Screw 10-32 x 7/8 TYPE C	2
29	XSCR021	Screw 1/4-20 x 1/2 TYPE MS	1
30			
31			
32	XFW0010	Washer Flat #10 0.44 OD. 0.218 ID 0.040T	8
33	XLW0011	Lockwasher #10	2
34	XFW0002	Washer Flat 1/4"	3
35	XLW0002	Lockwasher 1/4"	3
36	XNUT0011	Hex Nut 1/4-20	2
37	XSCR168	Screw 8-32 x 2-3/4 MS	4

ITEM NO.	PART NO.	DESCRIPTION	QTY.
38	YMS147RC6	Rain Channel	2
39	XLUG0031	Lug 1/0-14 Double	1
40	XWIRE0024	Wire #4 Green Copper 3-1/2 in,	.3ft
41			
42			
43			
44			

**NOTE:**  
 INK STAMP "LINE - LIGNE"  
 INK STAMP "NEUTRAL - NEUTRE"  
 SEE SHEET 2 FOR LOCATIONS

REV	DATE	CHANGE
DO NOT SCALE		
SCALE:	ALL DIMENSIONS ARE IN INCHES UNLESS NOTED	
DRN BY: PJS	DATE: JAN.20/20	
APP'D BY: <i>[Signature]</i>	DATE:	



**HYDEL ENTERPRISES**  
 DIVISION OF CIRCA METALS INC.  
 206 GREAT GULF DRIVE, VAUGHAN

REV. SHEET 3 OF 3

DESCRIPTION: 400A MAIN-200A/POS  
 2 GANG COMB.METER SOCKET/BREAKER

PART NO. **JA42RX-COGE**  
 DWG. NO. **JA42RXcoge**

**NOTE : LATCH TO BE TAPED HORIZONTALLY ON BREAKER COVER  
AFTER MOUNTING ON ENCLOSURE**

