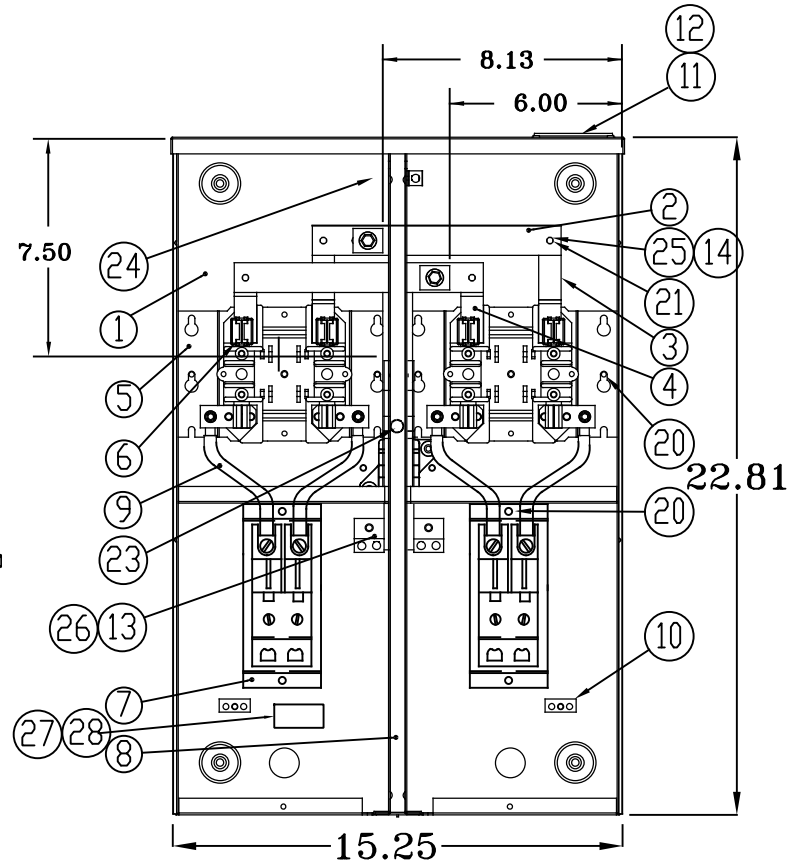
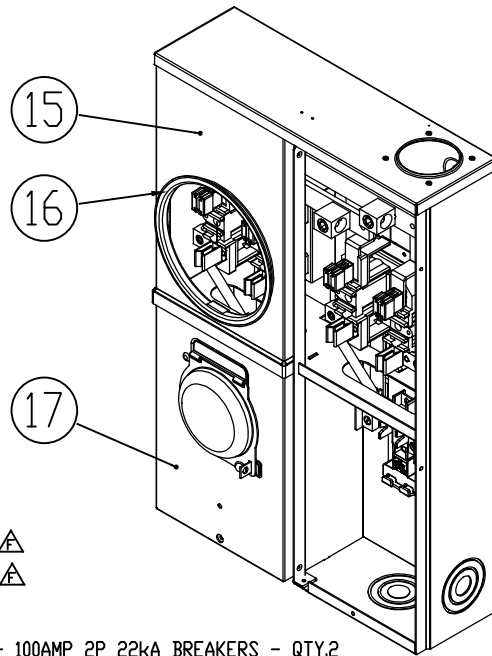



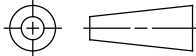
BOM Table			
ITEM NO.	PART NUMBER	DESCRIPTION	QTY.
1	ZMS669BA12	BODY ASSY, 2 POS FORMED RH ENTRY	1
2	ZMS295LB40	BUS BAR ASSY	2
3	ZMS289JA5	BLOCK LH ASSY Δ	2
4	ZMS290JA3	BLOCK RH ASSY	2
5	YMS64B2	BRIDGE 100A, 1.43 HIGH	2
6	XMS8A	JAW SHROUD, RED	4
7	ZMS489J4	BREAKER BASE ASSY	2
8	YMS147RC1	RAIN CHANNEL	1
9	YMS206W10	WIRE CONNECTOR Δ	4
10	XMS114GL	GROUND LUG	2
11	XMS459HP3	HUB PLATE- SMALL	1
12	XMS616	HUB GASKET	1
13	ZMS291NA6	NEUTRAL BAR ASSY	2
14	XLW0011	#10 HELICAL LOCKWASHER	7
15	ZMS670CA11	METER COVER ASSY	2
16	XMS664	METER RING ASSY SS	2
17	ZMS670CA12	COVER ASSY BREAKER	2
18	XSCR0008	10-32 X 1/2 MS COMB PHD	4
19	XFW0001	#10 FLAT WASHER	6
20	XSCR0007	10-32 X 1/2 SCREW, THREAD FORM, TYPE C	6
21	XCARB0013	CARRIAGE BOLT 10-32	4
22	XSCR003	10-32 X 1/2 SCREW, THREAD FORM TYPE C	4
23	XSCR148	10-32 X 1-3/8 SCREW BRASS	1
24	XG150646	GROUND LUG 1/0-14	1
25	XNUT0036	10-32 NUT	4
26	XG15105	DOUBLE WIRE CONNECTOR 2/0	2
27	XMS600L7	LABEL PERMANENTLY BONDED NEUTRAL ASSEMBLY Δ	1
28	XMS600L1	LABEL- REMOVE BONDING SCREW Δ	1



COVERS REMOVED FOR CLARITY

COVERS REMOVED FOR CLARITY

NOTE: INTALL MP211H - 100AMP 2P 22KA BREAKERS - QTY.2 ALONG WITH PADLOCK XTHP100

UNLESS OTHERWISE SPECIFIED ALL DIMENSIONS SHOWN APPLY AFTER PLATINGS AND COATINGS			CAD MAINTAINED DATA CHANGES SHALL BE INCORPORATED ELECTRONICALLY			 Hydel a division of Circa Enterprises Inc.		
TOLERANCES APPLY AS SHOWN BELOW			PROPRIETARY			G JAN 30/23 SAS ZMS289JA5 WAS ZMS289JA3. F NOV 25/22 HS BREAKER BASE REPLACED WITH GE/ ABB BREAKER E AUG 10/22 SAS CSA115-20 CHANGES.		
DECIMAL PLACES	INCHES	MILLIMETRES	NOT TO BE DISCLOSED OR REPRODUCED IN ANY MANNER WITHOUT THE EXPRESS WRITTEN PERMISSION OF HYDEL			TITLE: 2 GANG 100A SCKT AND BREAKER OH RH ENTRY		
.XXX .XX .X	± .005 ± .010 ± .020	± 0.1 ± 0.3 ± 0.5						
ANGULAR DIMENSIONS			THIRD ANGLE PROJECTION			PART NO. JA220P-HI-RH		
XX° XX.X°	±0.5° ±0.1°					REV. G		
	MICROINCH 63	MICRON 1.6				DRAWN BY PJS 3/24/17		
			REV. DATE REV BY CHANGE			SHEET		
			APPROVED BY SAS					