

C-Series LED

16215-16220

120V-277V LED Large Accent, 14W & 21W



Select Models

PROJECT:

TYPE:

ORDERING:

COMMENTS:

APPLICATIONS

Kichler's 120V-277V LED accent lighting fixtures are designed for outdoor lighting applications requiring uniform light sources, with long life, and little maintenance requirements.

CONSTRUCTION

Die-cast aluminum construction with durable polyester powder coating. Vandal resistant hardware, reinforced knuckle design, a water draining front end with an integrated cowl. Accent fixtures accept various lens or louver accessories.

ELECTRICAL

ETL listed to UL and CSA Standards for 120V-277 VAC (50/60 Hz), and suitable for wet locations. Integrated surge protection (4kV) comes standard.

OPTICS

Utilizes a single LED chip-on-board light source that provides for center-to-edge uniformity and enhances beam control. Three-step binning for tight color consistency. Available in three standard beam angles: 15, 33 or 55 degrees.

LISTINGS

ETL wet label listed to UL and CSA Standards. IP66 rated. FCC compliant.

ORDERING MATRIX (Model # +Finish & CCT Codes) & LUMEN INFORMATION

Model #	Finish	CCT (30 / 40)	Wattage	CRI	Beam Angle	Lumen	Lm/W	L70 (hrs)
*16215	AZT or BKT	3000K	14.6	80 (+)	15 Deg	1312	90	60,000
*16215	AZT or BKT	4000K	14.0	80 (+)	15 Deg	1424	102	60,000
*16216	AZT or BKT	3000K	14.1	80 (+)	33 Deg	1263	90	60,000
*16216	AZT or BKT	4000K	14.4	80 (+)	33 Deg	1374	96	60,000
*16217	AZT or BKT	3000K	14.4	80 (+)	55 Deg	1326	92	60,000
*16217	AZT or BKT	4000K	14.1	80 (+)	55 Deg	1347	96	60,000
*16218	AZT or BKT	3000K	21.3	80 (+)	15 Deg	2033	96	60,000
*16218	AZT or BKT	4000K	21.1	80 (+)	15 Deg	2089	99	60,000
*16219	AZT or BKT	3000K	20.9	80 (+)	33 Deg	2015	97	60,000
*16219	AZT or BKT	4000K	21.3	80 (+)	33 Deg	2111	99	60,000
*16220	AZT or BKT	3000K	21.2	80 (+)	55 Deg	1889	89	60,000
*16220	AZT or BKT	4000K	21.0	80 (+)	55 Deg	1950	93	60,000

Example: 16215BKT40 is model 16215 in Textured Black, 4000K

Each model is available with a finish in BKT - Textured Black or AZT - Textured Architectural Bronze

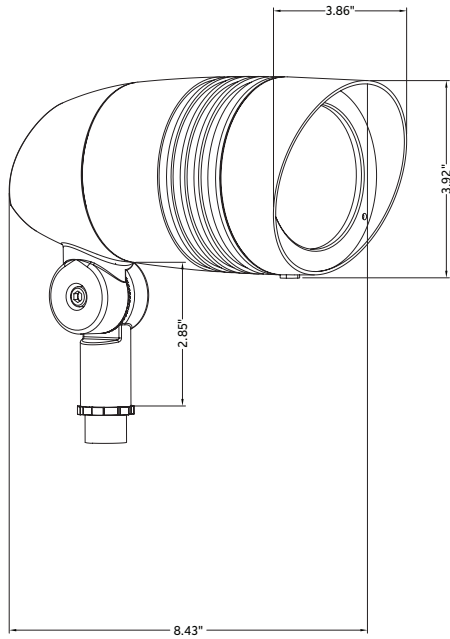
*DLC Qualified Products. For the most current listing, visit www.designlights.org

KICHLER

C-Series LED

120V-277V LED Large Accent, 14W & 21W

DIMENSIONS



INCLUDED ACCESSORIES

Three (3) King Innovation Gel-Filled twist-on wire connectors

ACCESSORIES

Ordered & shipped separately (for knuckle only)

- 15645 AZT, BKT** - 6" Stem Corrosion resistant
- 15656 AZT, BKT** - 12" Stem aluminum alloy with
- 15657 AZT, BKT** - 18" Stem baked thermoset
- 15658 AZT, BKT** - 24" Stem powder coating.

15276 BKT - Power Post: A Fast, One-Step Connector

Made of Impact / Corrosion Resistant PVC

2.25" Inside Diameter to Accommodate Conduits

of Different Sizes

Accepts .50 NPSM Thread

Designed For 120V-277V Line Voltage Landscape Lighting, Eliminating Need For Above or Below Ground Boxes.

Built-in Stabilizer Removes Need For Concrete

15601 AZT, BKT - Cast Aluminum Surface Mounting

Flange with Bronze or Black Finish, Neoprene Gasket For Watertight Seal

15609 AZT, BKT - Junction Box Mounting Bracket

Corrosion Resistant Cast Aluminum Alloy with Baked Thermoset Bronze or Black Powder Coat Finish

PHOTOMETRIC DIAGRAMS

