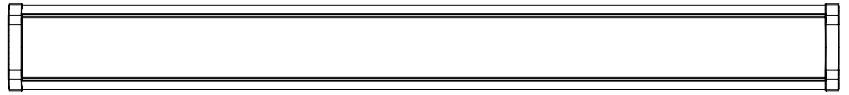
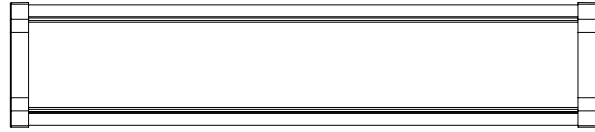




LLWX/XXW/8FCCT/UD  
LLWX/PSXX/8FCCT/HD



## INSTALLATION INSTRUCTIONS LED LINEAR WRAP

### SAFETY PRECAUTIONS:

- To reduce the risk of death, personal injury or property damage from fire, electric shock, falling parts, cuts/abrasions, and other hazards, read all warning and instruction included with and on the fixture box and all fixture labels.
- Before installing, servicing, or performing routine maintenance upon this equipment, follow these general precautions.
- Commercial installation, service, and maintenance of luminaires should be performed by a qualified licensed electrician, and check your local electrical code.
- To prevent wiring damage or abrasion, do not expose wiring to edges of sheet metal or other sharp objects.
- Do not make or alter any open holes in an enclosure of wiring or electrical components during kit installation.
- To off electrical power at fuse or circuit breaker box before wiring fixture to the power supply.
- Turn off the power when you perform any maintenance.
- Verify that the supply voltage is correct by comparing it with the luminaire label information.
- All wiring connections should be capped with UL approved wire connectors.
- Avoid direct eye exposure to the light source while it is on.
- Account for small parts and discard/destroy packing material, as these may be hazardous to children.
- Risk of burn. Disconnect power and allow fixture to cool before changing fixture.

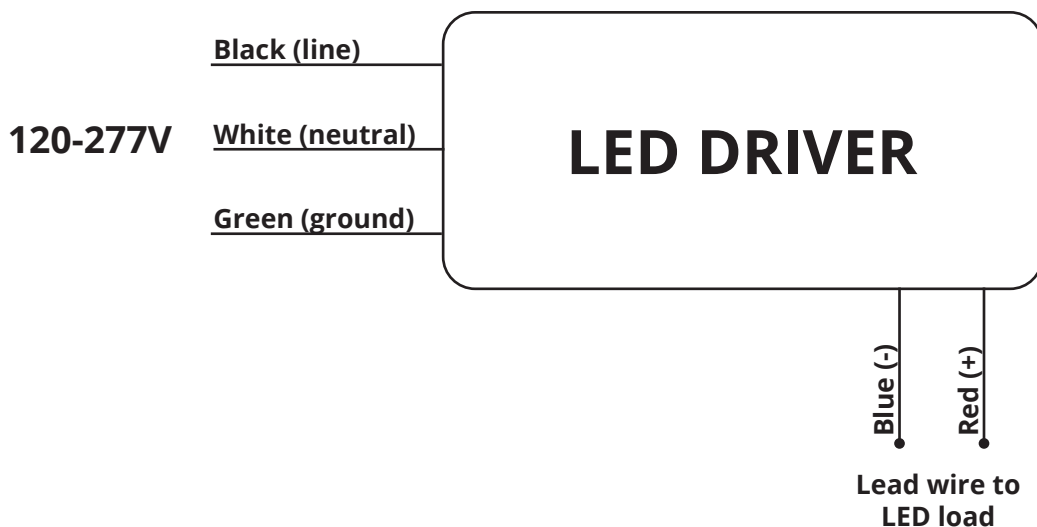
NOTICE: Green ground screw provided in proper location. Do not relocate.

NOTICE: Minimum 90° supply conductors.

NOTICE: Specifications and dimensions subject to change without notice.

NOTICE: Suitable for Dry or Damp locations.

### WIRING DIAGRAM:



# INSTALLATION:

**ALWAYS TURN OFF THE POWER SUPPLY FROM MAIN CIRCUIT BREAKER FIRST!**

## Surface Mounting (A)

**STEP 1:** Remove the lens from the housing near at one of the ends by using the provided suction cup. Press the suction cup to absorb one side of the lens. Pull the suction cup to detach the lens from the luminaire housing (Figure 1A).

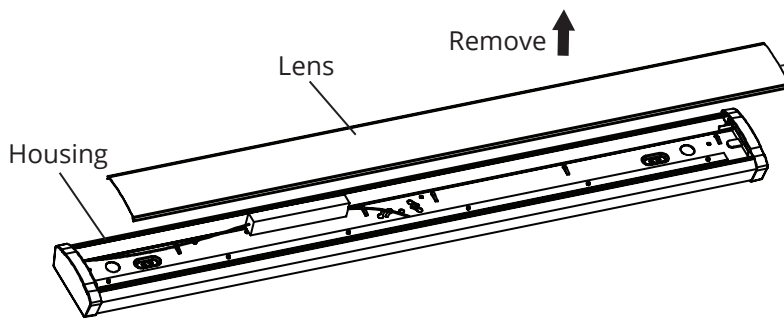
**STEP 2:** Use a screwdriver to punch out one of the holes and pass the electrical cable out from the housing.

**STEP 3:** Use the luminaire as a template by placing it on the junction box and marking the ceiling for the position of the four holes where the screws will go. Put the luminaire aside and drill the four holds. Insert an anchoring bolt (not included) into each hole. Screw the four mounting screw into each anchoring bolt, then connect the AC wires (Figure 2).

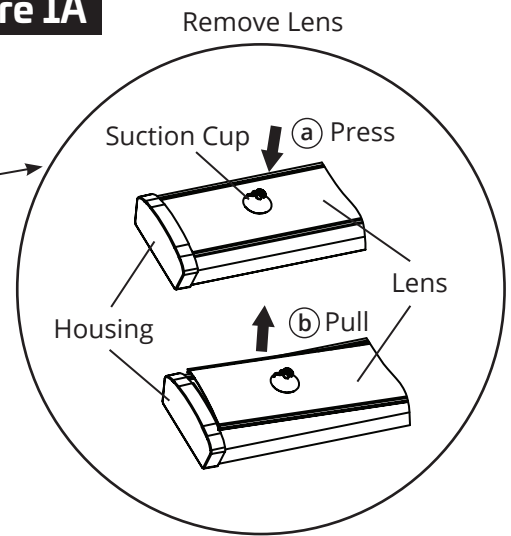
**STEP 4:** Install the lens starting at one end of the housing. Insert the lens onto the edge of the housing. Carefully squeeze the lens to engage opposite side with the housing. Repeat this action down the length of the lens until fully installed into the housing (Figure 2A).

**STEP 5:** Turn on the luminaire.

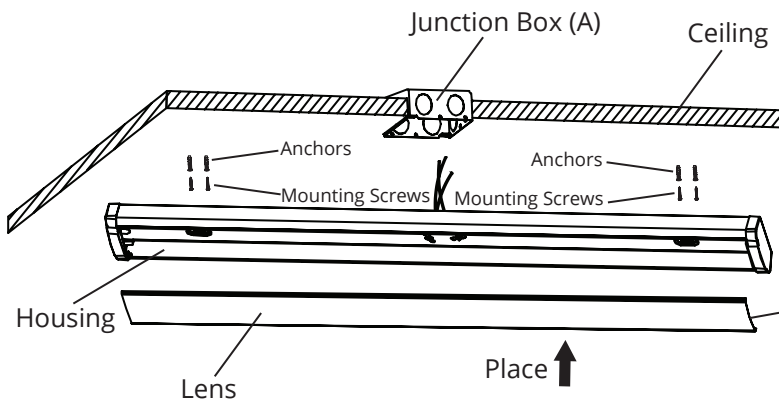
**Figure 1**



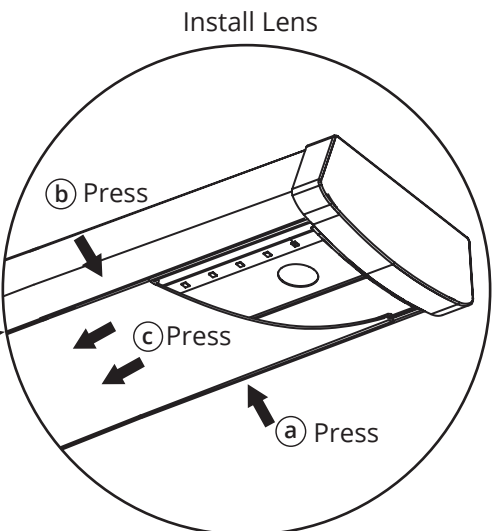
**Figure 1A**



**Figure 2**



**Figure 2A**



## INSTALLATION:

**ALWAYS TURN OFF THE POWER SUPPLY FROM MAIN CIRCUIT BREAKER FIRST!**

### Surface Mounting (B)

**STEP 1:** Remove the lens from the housing near at one of the ends by using the provided suction cup. Press the suction cup to absorb one side of the lens. Pull the suction cup to detach the lens from the luminaire housing.

**STEP 2:** Use a screwdriver to punch out one of the holes and pass the electrical cable out from the housing.

**STEP 3:** Use the luminaire as a template by placing it on the junction box and marking the ceiling for the position of the four holes where the screws will go. Put the luminaire aside and drill the four holes. Insert an anchoring bolt (not included) into each hole. Screw the four mounting screw into each anchoring bolt, then connect the AC wires (Figure 2)

**STEP 4:** Install the lens starting at one end of the housing. Insert the lens onto the edge of the housing. Carefully squeeze the lens to engage opposite side with the housing. Repeat this action down the length of the lens until fully installed into the housing.

**STEP 5:** Turn on the luminaire.

**Figure 3**

