



# ES2-SERIES LED EMERGENCY LIGHTING UNIT



Project	
Date	
Prepared by	
Model #	<b>ES2-BU1SC30B-3</b>

## OVERVIEW

The ES2-Series LED Emergency Lighting Unit is designed to provide efficient and reliable emergency lighting. Utilizing a sturdy, all steel housing, the ES2-BU1SC30B-3 presents a modern and unobtrusive design.

## PRODUCT HIGHLIGHTS

- Universal AC input voltage from 120-347VAC
- 30W Battery Power, able to support up to 8W of remote LED heads for more than 120 minutes
- Constructed of durable 20 gauge steel
- 90° x 90° swivel LED emergency lighting head
- Super bright LEDs, enabling each head to deliver more than 3 foot candles at an 8-foot distance
- CSA listed for Canada & the US

### ELECTRICAL PARAMETERS

<b>Input Voltage</b>	120-347 VAC 50/60Hz	<b>Battery Type</b>	Lead-Acid
<b>Output Voltage</b>	6VDC	<b>Battery Charge Time</b>	24 hours
<b>Indicator</b>	Charge, Discharge, Test	<b>Battery Discharge Time</b> (CSA Req't: >2 hrs)	>2 hours
<b>Battery Capacity</b>	6V 5Ah (30W)		

### LIGHTING INFORMATION

<b>Lamp Type</b>	LED	<b>Lamp Power</b>	2 x 2W (4W)
<b>Lamp Input Voltage</b>	6VDC	<b>Luminance</b>	2x130 lm (260 lm)

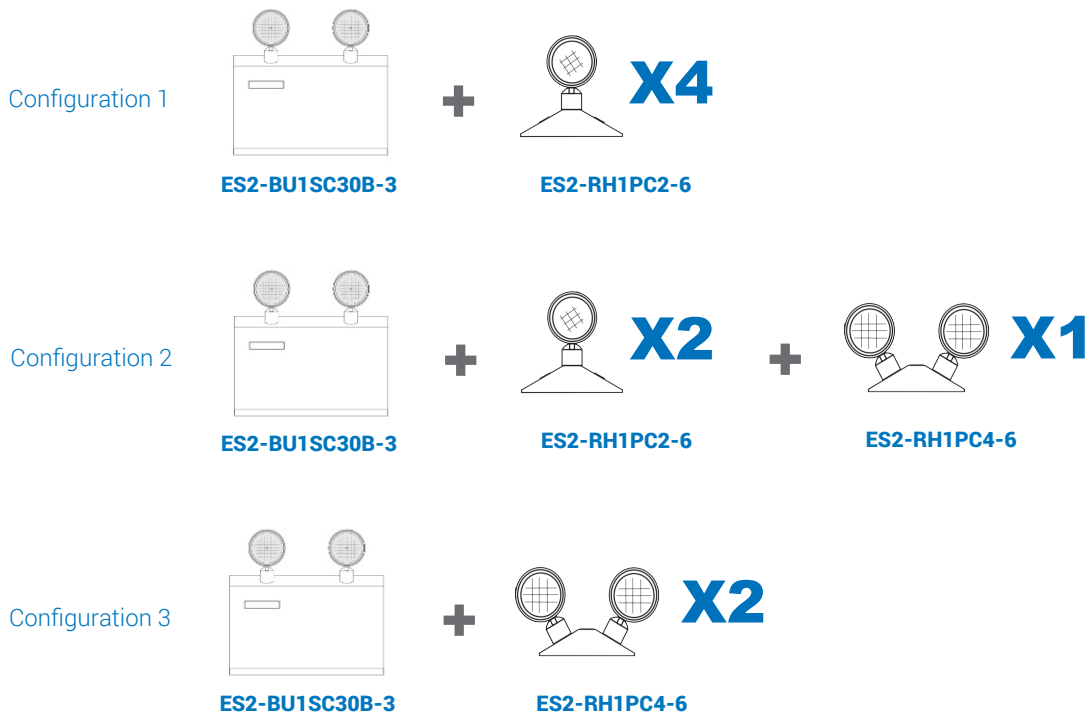
### EXTERNAL & MECHANICAL SPECIFICATIONS

<b>Housing Material</b>	Powder Coated Steel	<b>Material Grade</b>	UL-94v0
<b>Housing Color</b>	White	<b>Operation Temperature Range</b>	5°C to 30°C / 41°F to 86°F
<b>Dimension (inch/mm)</b>	12.2" (W) x 10.6" (H) x 2.75" (D) 310mm (W) x 270mm (H) x 70mm (D)	<b>Installation Method</b>	Pendant Mount, Wall Mount
<b>Weight</b>	2.77 kg / 6.1 lbs	<b>Warranty</b>	5 years

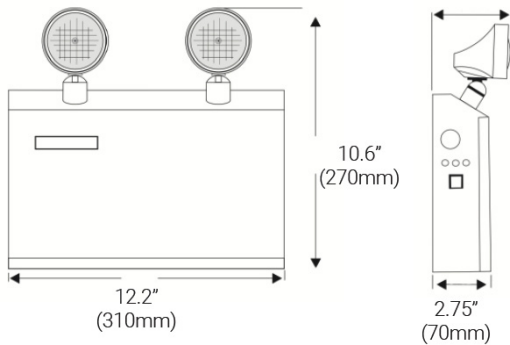
### APPROVALS & LISTINGS

<b>Safety Compliance</b>	cCSAus	<b>Safety Standards</b>	CSA C22.2 No. 141-15 CAN/CSA-C22.2 No. 250.13-14
<b>File Number</b>	272501	<b>Approved Locations</b>	Damp Locations

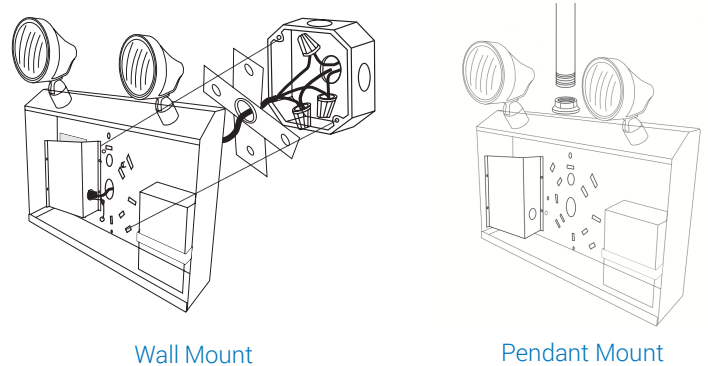
## RECOMMENDED CONFIGURATIONS



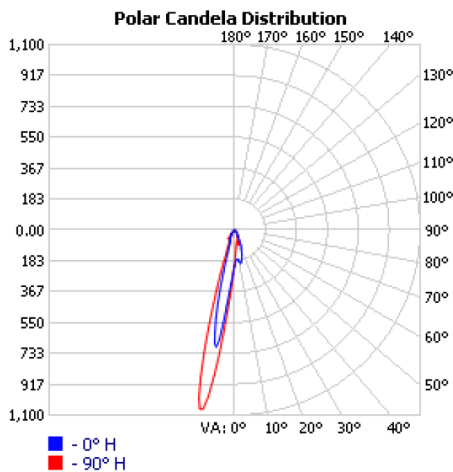
### PRODUCT DIMENSIONS



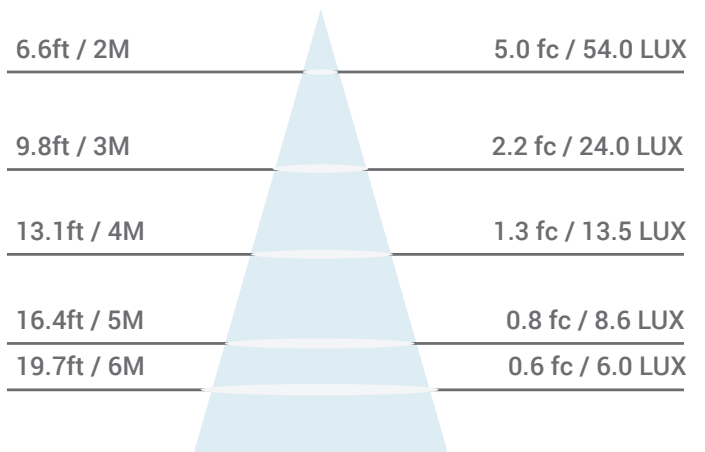
### MOUNTING DIAGRAM



### POLAR CANDELA DISTRIBUTION (FOR 1 LED HEAD)



### ILLUMINANCE AT A DISTANCE (FOR 1 LED HEAD)



1. Due to the special conditions of manufacturing, the typical data of optical specifications can only reflect statistical figures and do not necessarily correspond to the actual parameters of each single product which could differ from the typical data.  
 2. Exceeding maximum ratings for input voltage and current will cause hazardous overload and will likely destroy the LED fixture.  
 3. Refer to Warranty Terms & Conditions available at [premiseled.com/warranty](http://premiseled.com/warranty)