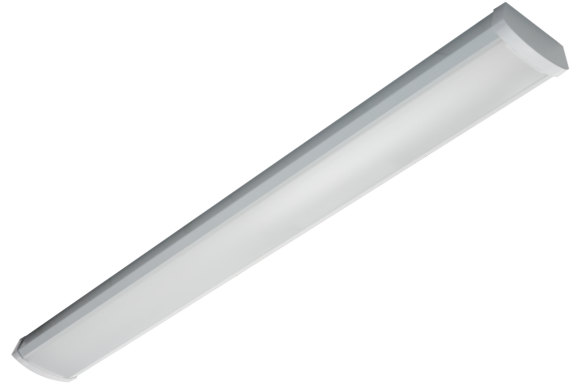




CW3 SERIES

COMMERCIAL WRAP AROUND

INSTALLATION INSTRUCTIONS FOR CW3-404-1



WHAT'S IN THE BOX

- CW3 fixture
- Suction cup for lens removal
- Hardware kit (4 x drywall anchors and screws)

WHAT YOU'LL NEED

- Phillips #2 screwdriver and/or drill for anchor screws
- Wiring supplies as per national and local electrical codes

IMPORTANT

Before installing fixture, read all instructions and retain for future reference. The important instructions and safeguards that appear in this document are not inclusive of all possible conditions and situations that may occur. It must be understood that common sense, caution, and care are factors that cannot be built into a product. These factors must be supplied by those that care and operate the fixture. Consider a qualified licensed electrician for installation.

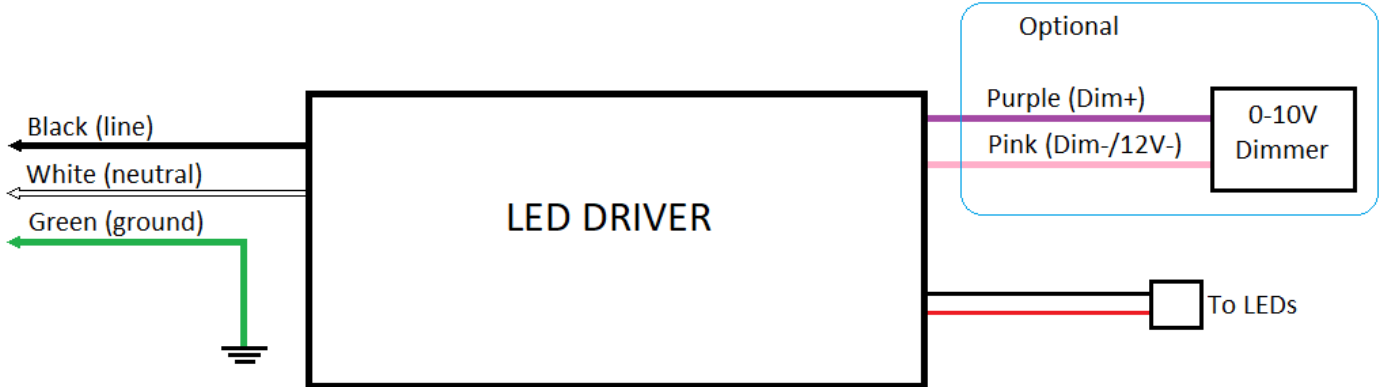
For additional information required not covered in this document please contact a local representative.



WARNING AND SAFETY

- Risk of electric shock!
- Ensure power is OFF at the electrical panel before starting installation or maintenance
- Verify site supply voltage matches luminaire product label
- Ensure wiring connections are not exposed during operation
- Modifications to the product will void warranty
- Ambient temperature range under normal operation not to exceed -20°C to 50°C (-4°F to 122°F)
- Wiring to fixture must be in accordance with the National Electrical Code and all applicable local electrical and safety regulations

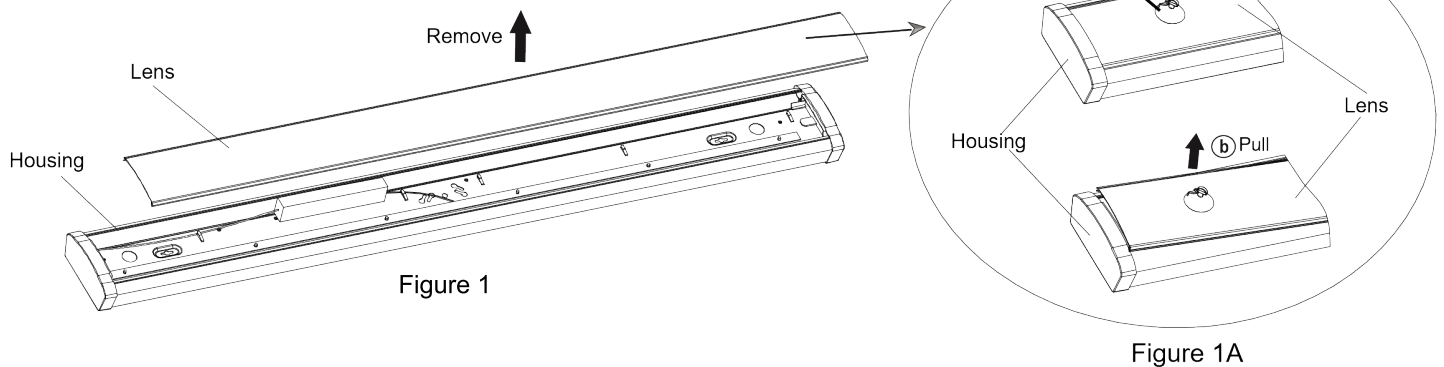
WIRING SCHEMATIC



INSTALLATION

1

Remove and set aside the lens from the fixture housing with the attached suction cup (Fig. 1).

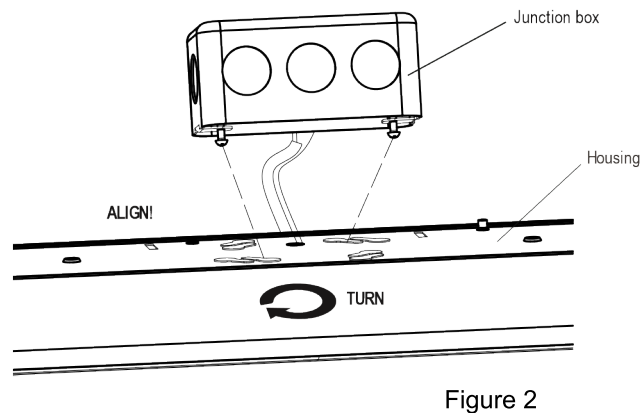


2

Ensure center located junction box screws are available and loosened to mount the fixture.

3

Punch out keyhole slot knockouts in center of fixture to align with screw heads from center located junction box. Place and twist onto the junction box (Fig. 2).



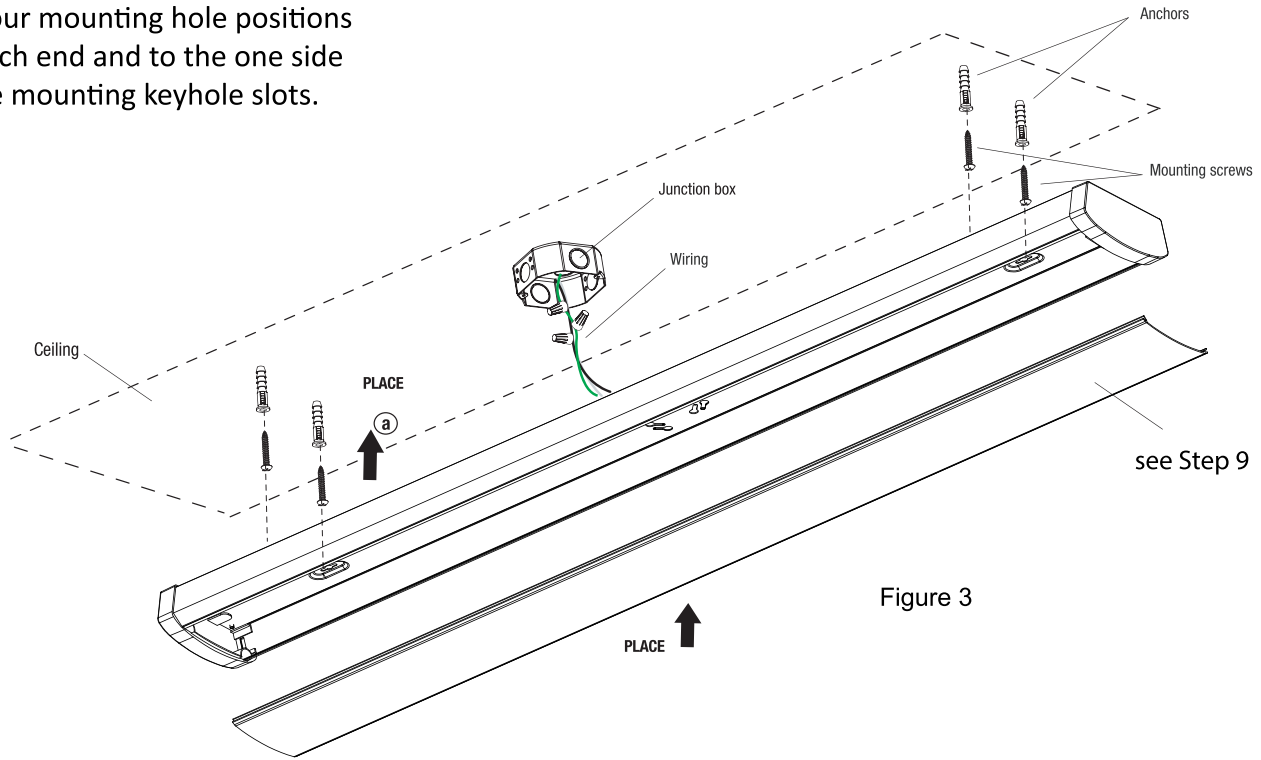
INSTALLATION CON'T

4

With fixture held in position, use the fixture as a template to mark the four mounting hole positions on each end and to the one side of the mounting keyhole slots.

5

Remove the fixture, drill holes and insert provided drywall anchors.



6

Connect fixture to the power supply as per the included wiring diagram.

7

Place and twist fixture back onto junction box and tighten the junction box screws to secure (Fig. 3).

8

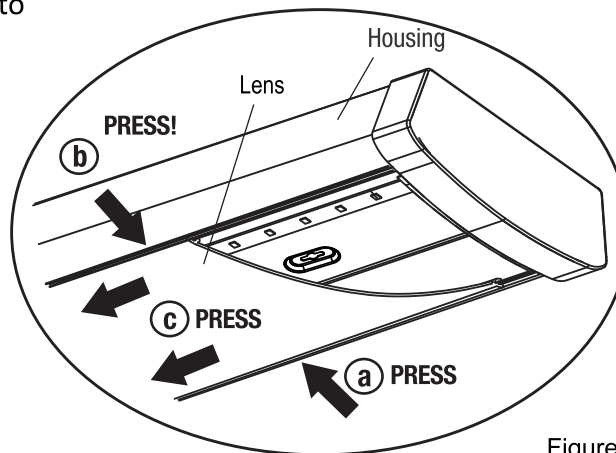
Insert the four included screws into the mounting hole positions to secure the fixture.

9

Press and slide the lens back into place until completely secure.

10

Turn power and fixture on to confirm it is working.



Notes:

To mount to a solid wood surface, move & complete Step 6 (wiring) after Step 1 & skip Steps 5 & 7.