



**BAK-010A**



**PRODUCT OVERVIEW**

- This product is a 0-10V voltage output single-channel dual-control dimmer(with neutral). It can adjust the 0-10V output signal through the button panel to control the 0-10V dimmable driver power supply for dimming control. Suitable for commercial and household use, easy to install, paired with American standard switch socket junction boxes.

**PRODUCT SPECIFICATIONS**

Input voltage range	AC 90-135V, 60Hz
Nominal input voltage	AC 120V, 60Hz
Maximum light load	500W Incandescent/halogen 150W LED/CFL
Standby power loss	≤1.0W
Working temperature	0—+40 C
Storage temperature	-20—+60 C
Relative humidity	8%—90%RH(non-condensing)

**NOTE:**

This product is intended for indoor use only. Use copper wire only, a neutral wire is required

**WARNING:**

Turn the POWER OFF at the circuit breaker, carefully read and understand these instructions before installation. This device is intended for installation in accordance with the National Electric Code and local regulations. A qualified electrician is recommended for performing installation. Make sure to turn off the circuit breaker or fuse(s) and make sure power is off before wiring the device.

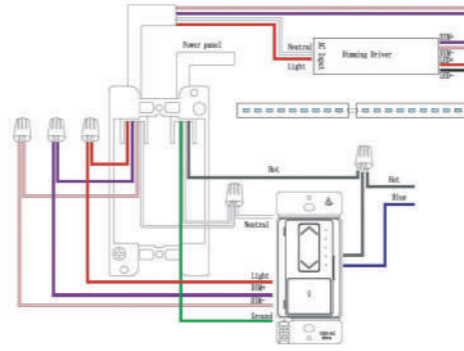
**PRODUCT STRUCTURE**

**Wiring Directions:**

This dimmer supplies power to an external dimmable driver.

The BLUE wire of this product is not used.

- Connect the BLACK wire from this product to the HOT wire
- Connect the WHITE wire from this product to the NEUTRAL wire
- Connect the GREEN wire from this product to the GROUND wire.
- Connect the PURPLE wire from this product to the DIM+ of the dimmable driver power supply

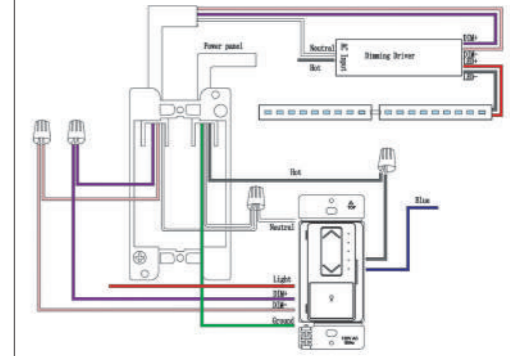


- Connect the PINK wire from this product to the DIM- of the dimmable driver power supply
- Connect the RED wire from this product to the AC input terminal(HOT) of the dimmable driver power supply
- The AC input terminal(NEUTRAL) of the dimmable driver is connected to the WHITE NEUTRAL wire

The dimmable driver power supply is powered by external AC power, no need to take AC power from this dimmer.

The RED and BLUE wires of this product are not used.

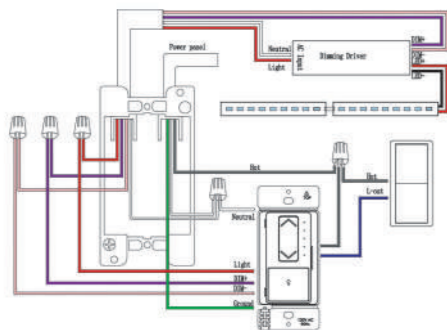
- Connect the BLACK wire from this product to the HOT wire
- Connect the WHITE wire from this product to the NEUTRAL wire
- Connect the GREEN wire from this product to the GROUND wire.
- Connect the PURPLE wire from this product to the DIM+ of the dimmable driver power supply
- Connect the PINK wire from this product to the DIM- of the dimmable driver power supply
- The AC input terminal(HOT) of the dimmable driver is connected to the BLACK HOT wire
- The AC input terminal(NEUTRAL) of the dimmable driver is connected to the WHITE NEUTRAL wire



Dual-control switch connection, the dimmer supplies power to the external dimmable driver power supply.

- Connect the BLACK wire from this product to the HOT wire
- Connect the WHITE wire from this product to the NEUTRAL wire
- Connect the GREEN wire from this product to the GROUND wire.
- Connect the PURPLE wire from this product to the DIM+ of the dimmable driver power supply

- Connect the PINK wire from this product to the DIM- of the dimmable driver power supply
- Connect the RED wire from this product to the AC input terminal(HOT) of the dimmable driver power supply
- Connect the BLUE wire from this product to a terminal of the external switch
- The AC input terminal(NEUTRAL) of the dimmable driver is connected to the WHITE NEUTRAL wire
- The other terminal of the external switch is connected to the BLACK HOT wire



**OPERATING INSTRUCTIONS**

- Short press the light switch button to turn on the light: manually turn on the light, the green LED indicator on the light button panel lights up and stays on. The brightness indicator on the right side of the dimmer button indicates the current brightness level by blue light. 1-20% (including 20%) when the first indicator at the bottom of the blue light is on, 20%-40% (including 40%) when the two indicators at the bottom of the blue light is on, 40-60% (including 60%) when the bottom of the three indicator lights are on, 60%-80% (including 80%) when the four indicators are on, 80%-100% (including 100%) when all five indicator lights are on, 80%-100% (including 100%), all five indicator lights are on.
- Short press the light switch button to turn off the light: manually turn off the light, the LED indicator on the light button panel is long extinguished, the light is off. The brightness indicator light is all off.
- Short press the dimmer button " ^ " to increase the brightness: every short press the dimmer button " ^ " to increase the brightness by 20%, and then press it

again after it is adjusted to the maximum of 100%, there will be no response. If it is adjusted to the 5th gear, the 5 corresponding brightness indicator lights on the right side will be always on.

- Short press dimmer button " V " to reduce the brightness: every short press dimmer button " V " to reduce the brightness by 20%. Adjust to the minimum 0%, light off, then press button " V " again, there will be no response. If the brightness is 20% in 1st gear, the first indicator on the right side corresponding to the lowest blue light will always be on.
- Long press dimmer button " ^ " to increase brightness: Long press dimmer button " ^ " can be stepless dimming to increase brightness. No more response after adjusting to the maximum 100%. If it is adjusted to the 5th gear, the all 5 corresponding brightness indicator lights on the right side light up and stay on.
- Long press dimmer button " V " to reduce brightness: Long press dimmer button " V " can be stepless dimming to reduce brightness. The light will turn off

off and stop reacting after it is adjusted to the minimum 0%. After the light is turned off, the blue light on the right side of the corresponding indicator will not light up.

- Button backlight on and off: When the backlight is off, long press the light switch button for 5 seconds to turn on the backlight, no matter in the state of light on or off, the backlight blue light is always on. When the backlight is on, long press the light switch button for 5 seconds to turn off the backlight. The default is backlight off.

**Note:** When this product is tuned to output 0% brightness signal, it will automatically disconnect the relay, and the red wire of this product will have no output voltage. Therefore, if you are using a dimmer drive power supply that still has the problem of lights on when it is set to 0% brightness, it is recommended to connect the HOT wire input of the dimmer drive power supply to the RED wire of the product (refer to the connection diagram in 3.1). It can solve the problem that some dimming driver power supply on the market cannot turn off the output by dimming signal.

**WARRANTY INFORMATION**

This device is warranted to be free of material and workmanship defects for 2 years from the date of purchase. Original receipt or proof of purchase from an authorized retailer must be presented upon warranty claim. ALL claims must be verified and approved by VOTATEC Group. Warranties from other VOTATEC products may vary. This warranty is nontransferable and does not cover normal wear and tear or any malfunction, failure, or defect resulting from misuse, abuse, neglect, alteration, modification, or improper installation. To the fullest extent permitted by the applicable state law, VOTATEC shall not be liable to the purchaser or end user customer of VOTATEC products for direct, indirect, incidental, or consequential damages even if VOTATEC has been advised of the possibility of such damages. VOTATEC total liability under this or any other warranty, express or implied, is limited to repair, replacement or refund. Repair, replacement or refund are the sole and exclusive remedies for breach of warranty or any other legal theory.