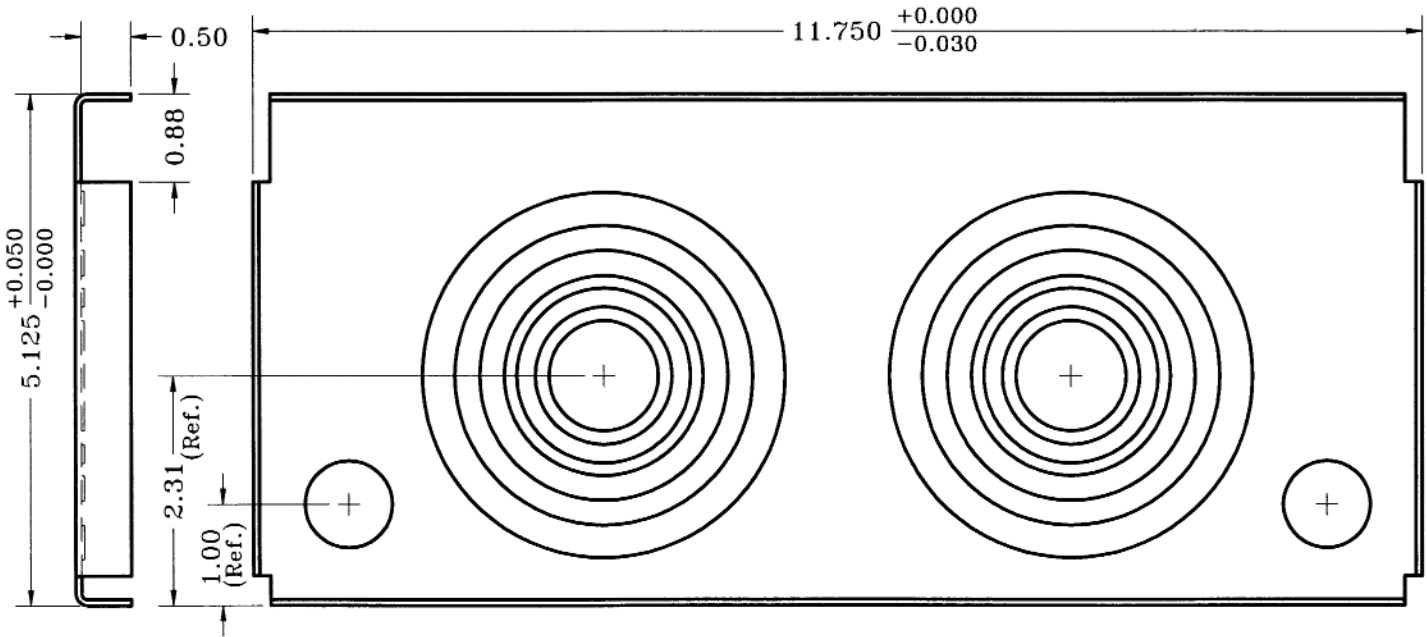


3/4, 1, 1-1/4, 1-1/2,
2, 2-1/2, 3" KO
- 2 REQ'D.
(Ref. 1-1/8, 1-3/8, 1-3/4,
2, 2-1/2, 3, 3-21/32" DIA.)

1/2" KO-2 REQ'D
(Ref. 7/8" DIA.)

FLAT-PART NO.: YMS7050691-FIN

MATERIAL: 16ga.(0.060) GALV.ST.



FORMED-PART NO.: YMSSTC7050691

REV	NOV. 26/03	REDRAWN
DATE	NOV. 26/03	CHANGE
DO NOT SCALE		
SCALE:	ALL DIMENSIONS ARE IN INCHES UNLESS NOTED	
DR'N BY:	PJS	DATE: NOV. 26/03
APP'D BY:		DATE:

HYDEL ENTERPRISES INC. 49 HOWDEN ROAD, SCARBOROUGH	
REV. A	SHEET OF
DESCRIPTION BOTTOM DETAIL for STC700/703	
PART NO. YMS7050691-FIN & YMSSTC7050691	
DWG. NO. 7050691	