



200W



250W



300W



**Specifications**

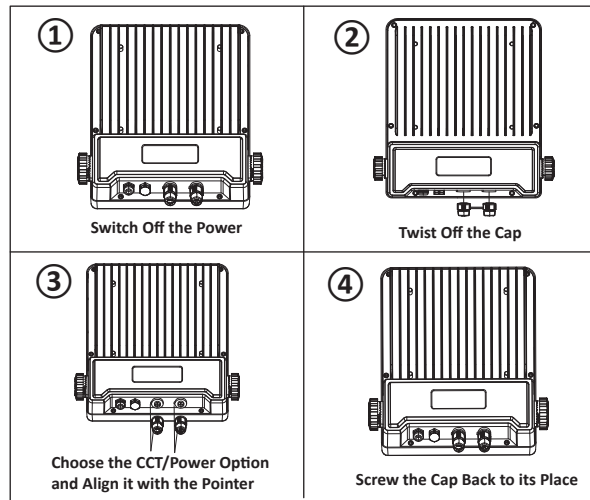
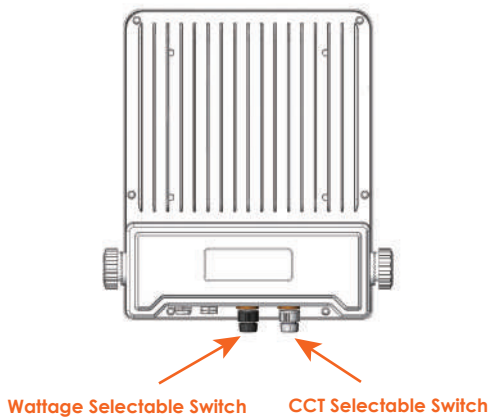
Model No		ISL-FL02-A-200W	ISL-FL02-A-250W	ISL-FL02-A-300W
OPTICAL	Power	200W-150W-100W ADJ	250W-200W-150W ADJ	300W-240W-200W ADJ
	Lumen	15,000 - 30,000LM	22,500 - 36,000LM	30,000 - 45,000LM
	Lumen efficiency	150LM/W	150LM/W	150LM/W
	Beam Angle	120°	120°	120°
	CCT	3000K-4000K-5000K ADJ	3000K-4000K-5000K ADJ	3000K-4000K-5000K ADJ
	CRI	>80	>80	>80
ELECTRICAL	Input Voltage	120-347Vac 50/60Hz	120-347Vac 50/60Hz	120-347Vac 50/60Hz
	PF	≥90	≥90	≥90
	THD	≤20%	≤20%	≤20%
	Driver Model	SS-200NM-A	SS-240NM-A	SS-320NM-A
	Dimming	0-10V	0-10V	0-10V
MATERIALS	LED Type	SMD2835	SMD2835	SMD2835
	LED Qty	960PCS	1200PCS	1440PCS
	Housing	Aluminum	Aluminum	Aluminum
	Cover	Glass	Glass	Glass
	Waterproof Rating	IP66	IP66	IP66
OTHERS	Operating Temperature	-30°C To +50°C	-30°C To +50°C	-30°C To +50°C
	Operating Humidity	20%-90%	20%-90%	20%-90%
	Storage Temperature	-40°C To +80°C	-40°C To +80°C	-40°C To +80°C
	Storage Humidity	10%-90%	10%-90%	10%-90%
	Warranty	5 years	5 years	5 years

## ADVANTAGE :

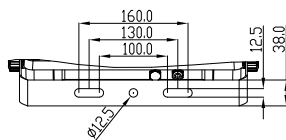
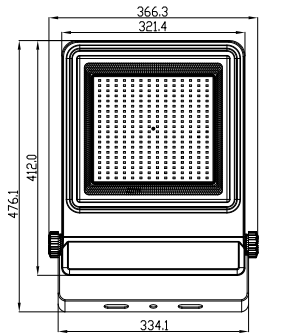
- ETL,cETL certificate.
- IP66 Driver, Input voltage 120-347Vac.
- Easy to install and operate.
- Energy saving, long lifespan.
- Offset bracket design,  $\pm 120^\circ$  adjustable.
- Green and eco-friendly without mercury.

## APPLICATION :

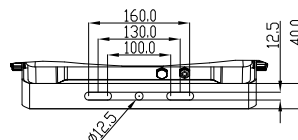
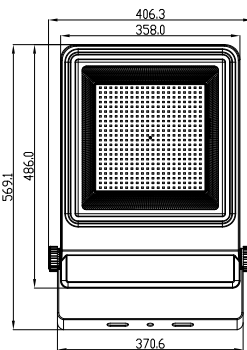
- Outdoor basketball court, tennis court, Badminton court, the football field.
- The school playground, stadium.
- Community leisure entertainment plaza.
- Warehouse, factory and workshops.
- Highway toll station.
- Meeting room, exhibition hall.



## DIMENSIONS :



200W



250W/300W

