

Project : \_\_\_\_\_  
 Type : \_\_\_\_\_  
 Drawn by : \_\_\_\_\_  
 Catalogue No. : \_\_\_\_\_  
 Date : \_\_\_\_\_



## Specifications

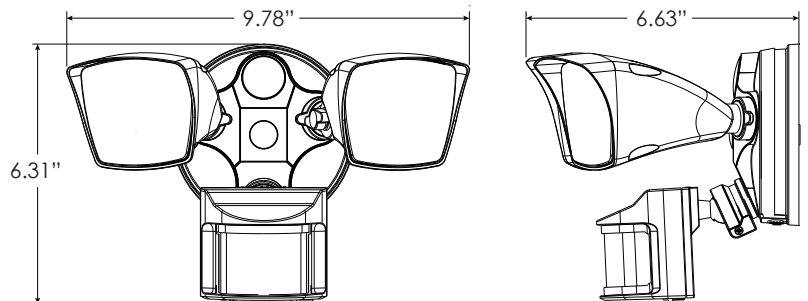
Model No.		<input type="checkbox"/> SF18CR15C25W / WH	<input type="checkbox"/> SF18CR15C25W / BK
General	Watts	25W	25W
	Lume	2250-2500lm	2250-2500lm
	CCT	3CCT(3000K/4000K/5000K)	3CCT(3000K/4000K/5000K)
	Volts	120V	120V
	CRI	>80	>80
	Beam Ange	100 degree	100 degree
	Sening Degree	180 degree	180 degree
	Sening Distance	68.89ft(21m)	68.89ft(21m)
	Hours Rated	50000 hours	50000 hours
	Sensor	Pyroelectric Infrared Sensor(PIR)	Pyroelectric Infrared Sensor(PIR)
Installation Method		Wire Connection	Wire Connection
Electrical	Operating Frequency	50/60 Hz	50/60 Hz
	Power Factor	>0.9	>0.9
	Operating Position	Both-Horizontal&Vertical	Both-Horizontal&Vertical
	Operating mode	PIR Sensor	PIR Sensor
	Operating Temperature	-30°C(-40°F) to 40°C(104°F)	-30°C(-40°F) to 40°C(104°F)
Physical	Detection Distance	19.69-68.89ft(6m-21m)	19.69-68.89ft(6m-21m)
	Lens Material	Clear PC	Clear PC
	Housing Color	White	Black
	Weight (Kg)	1.32kg	1.32kg
Additional Information	Additional Info	CCT adjustable	CCT adjustable
	"On" Duration time	5S-5minutes	5S-5minutes
	Warranty	5 years	5 years
Compliance	Safety Listing	ETL-Listed	ETL-Listed
	Location Rating	Wet location/IP65	Wet location/IP65
	Energy Star	No	No
	DLC Approved	No	No
DLC ID		No	No

## Features & Specifications

<b>Construction</b>	<ul style="list-style-type: none"> <li>• PIR sensor with lux detection controls light on and off</li> <li>• PIR detection range can reach 68.89ft at 8.2ft height installation and PIR sensor set at 45°</li> <li>• The angle of two light head can be adjusted in 270°</li> <li>• PIR sensor can be adjusted in both side, horizontal 45° and vertical 135°</li> </ul>
<b>Mounting</b>	<ul style="list-style-type: none"> <li>• Mounting location: wall or eave mounted</li> <li>• Mounting height 8.2ft is recommended above the ground</li> </ul>
<b>Performance Data</b>	<ul style="list-style-type: none"> <li>• Available in 3000K/4000K/5000K selectable color temperature</li> <li>• The light can be always be on when setting sensitivity position to ON</li> <li>• CRI80</li> <li>• Estimated life of 50000hours</li> <li>• Operating temperature -30°C to 40°C</li> </ul>
<b>Compliances</b>	<ul style="list-style-type: none"> <li>• ETL certified for wet location</li> <li>• Outdoor use, IP65 waterproof</li> <li>• Complies with Part 15 of the FCC rules</li> </ul>

## Dimensions & Weights

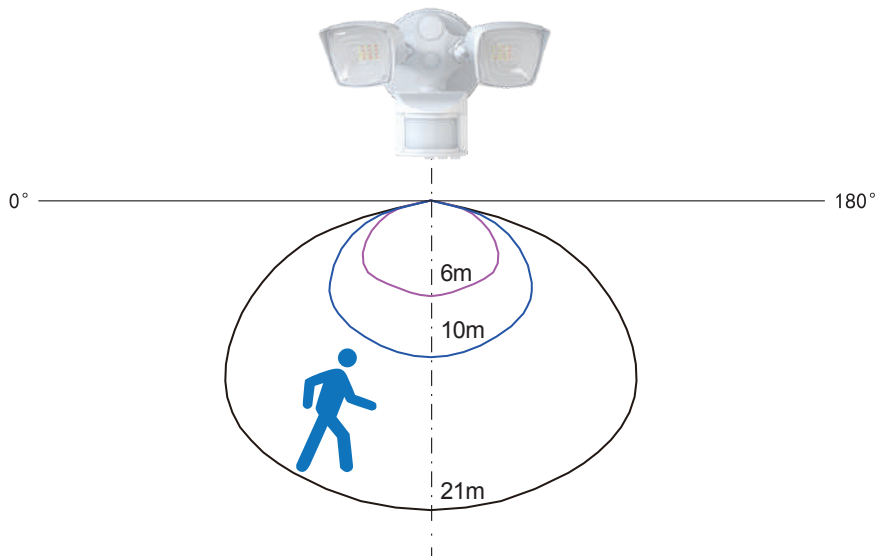
Model	SF18CR15C25W
Length in.(cm)	9.78inch(24.84)
Width in.(cm)	6.31inch(16.03)
Height in.(cm)	6.63inch(16.84)
Net weight kgs.(lbs)	1.32kgs(2.91)



### Product Details



### Detection distance:



### PIR Sensor

Part Number	Technology	Height (Ft)	DetectionArea (M)	Time setting (Min)	Light control (Lux)	IP rating	Temperature (°C)
<b>PIR Sensor</b>	Pyroelectric infrared Sensor (PIR)	8.2ft is recommended	distance within 21M degree 180°	5S-5minutes	light on when lux under 50lux light off when lux over 150lux	IP65	-30°C~+40°C (-40°F~+104°F)

**NOTE :** PIR sensor with lux detection controls light on and off.  
 When sensitivity is set to ON(PIR detection is switched off), security light will be constant on and can control the light ON/OFF by switch.  
 PIR detection range can reach 68.89ft at 8.2ft height installation and sensor set at 45°  
 PIR sensor can be adjusted in both side, horizontal 45°and vertical 135°

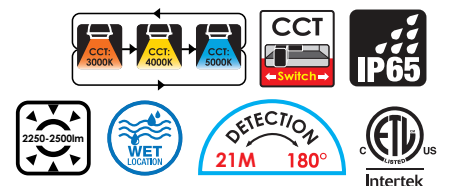
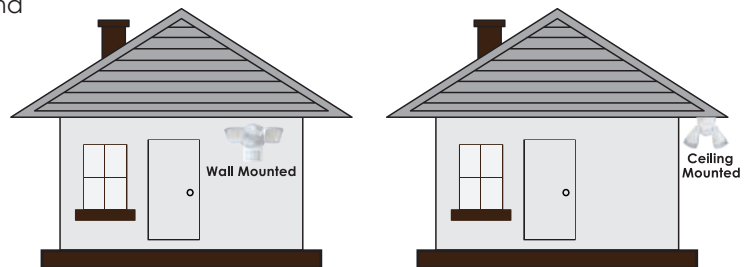
**DEFAULT SETTING :**

- Brightness : 100%
- Hold Time: 5S
- Sensitivity: High
- Day Light: OFF



### Installation recommended:

This product must be installed in accordance with applicable installation code by a person familiar with the construction and operation of the product and the hazards involved.



Data is based upon tests performed in a controlled environment. Actual performance can vary depending on operating conditions. All products are subject to change or may be discontinued any time without notice. Please contact your Votatec customer service representative to confirm inventory levels at time of order

