

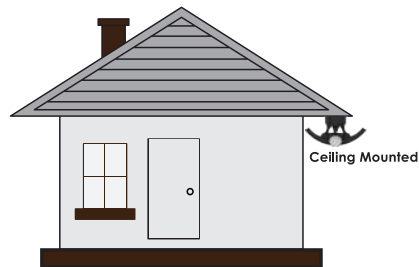
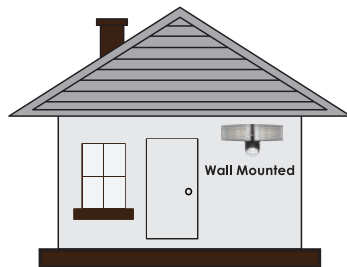
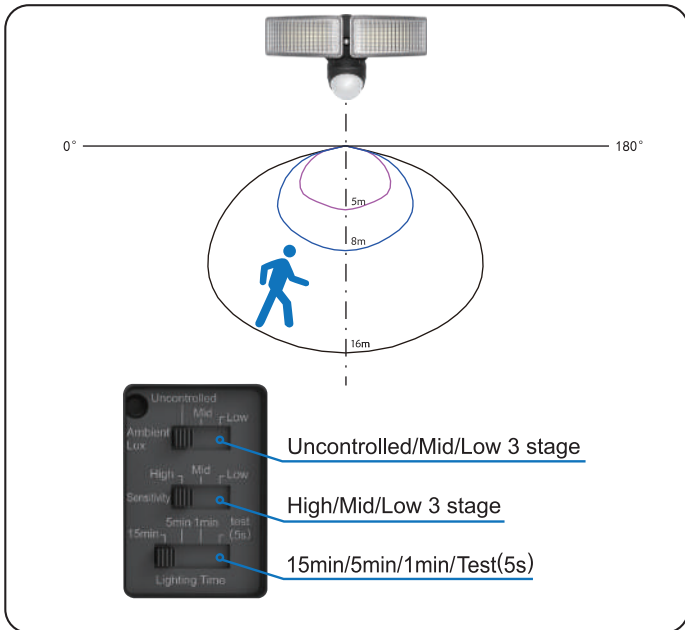
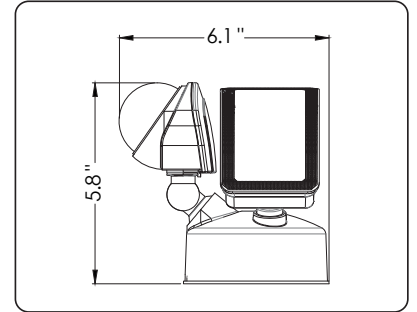
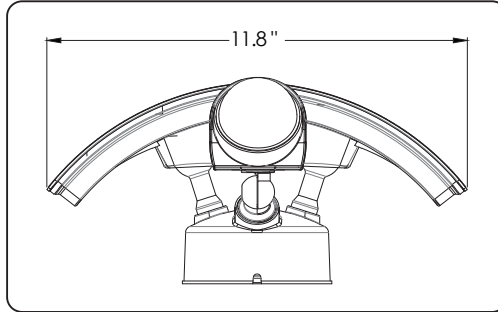
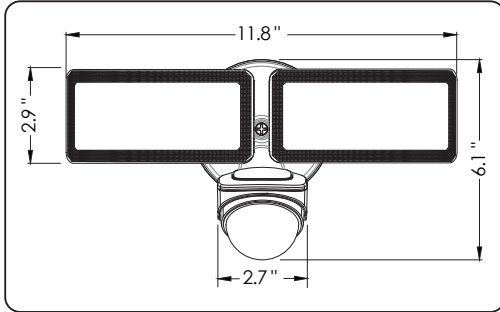
### Motion Security Light



Specification	
Model	VO-SC2W24-120-P-40, VO-SC2W24-120-P-50
Power	2X12W
Luminous Flux	2400lm
Power Supply	120V/60Hz
C.C.T.	4000K/5000K
Ra	80
PF	0.7
Beam Angle	100°
Sensor	Pyroelectric Infrared Sensor (PIR)
Sensing Degree	180°
Sensing Distance	16m
"On" Duration time	15min/5min/1min/Test(5s)
Installation Method	Wire Connection
Operation mode	PIR sensor
Life	50000hours
Waterproof Rating	Wet location/IP65
Lamp Body Material	PC+Aluminum
Lamp Cover	Clear PC
Color	White/Black
Certificate	ETL



### Dimensions:



This product must be installed in accordance with applicable installation code by a person familiar with the construction and operation of the product and the hazards involved.

