

INSTRUCTIONS PERTAINING TO A RISK OF FIRE, OR INJURY TO PERSONS

IMPORTANT SAFETY INSTRUCTIONS

Lighted lamp is HOT!

WARNING — To reduce the risk of FIRE OR INJURY TO PERSONS.

- 1) Turn off / unplug and allow to cool before replacing lamp.
- 2) Lamp gets HOT quickly!
- 3) Do not touch hot lens or cowl.
- 4) Do not touch lamp or fixture if warm.
- 5) Do not look directly at lamp when on.
- 6) Keep lamp away from combustible materials.
- 7) Use only with wattage and lamp marked on fixture.
- 8) Do not touch the inner glass envelope of the lamp at any time. Use a soft cloth. Oil from skin may damage lamp.
- 9) Do not operate the fixture with a damaged or missing lens.

SAFETY INSTRUCTIONS

READ THIS FIRST

KEEP THESE INSTRUCTIONS

This fixture is intended for installation in accordance with the National Electric Code (NEC) and Local code specifications. Failure to adhere to these codes and instructions may result in serious injury and/or property damage and will void the warranty.

- 1) **WARNING:** This fixture is not to be installed within 10 feet (3M) of a pool, spa or fountain.
- 2) This fixture is to be used only with a power unit (transformer) rated a maximum of 300 W (25 AMPS) 15 volts per circuit.
- 3) The #18 ga. fixture wire is not intended for direct burial or direct connection to transformer.
- 4) Direct burial rated wire is to be buried a minimum of 6" (152mm) beneath the surface of the ground. **NOTE:** If additional Direct Burial wire is needed, contact your local Kichler® landscape distributor.
 - 8 GA wire can be purchased in length of 250' (76 M), 15503-BK.
 - 10 GA wire can be purchased in length of 250' (76 M), 15504-BK.
 - 12 GA wire can be purchased in lengths of 100' (30 M), 15501-BK; 250' (76 M), 15502-BK; 500' (152M), 15505-BK; and 1000' (304 M), 15506-BK.
- 5) Fixture shall not use a tungsten halogen lamp unless the fixture is marked for use with such lamps.
- 6) Wiring connections must be made with approved/listed wire connection device(s) suitable for the application. Do not exceed manufacturers' wiring combination specifications for size and quantity of conductors.

CAUTION

WHEN INSTALLING KICHLER LANDSCAPE LIGHTING (LINE VOLTAGE OR LOW VOLTAGE), CARE SHOULD BE TAKEN TO KEEP CLEAR OF POTENTIAL Y COMBUSTIBLE MATERIALS.

WHEN MAINTAINING THE FIXTURES, BE SURE TO REMOVE LEAVES, PINE NEEDLES, GRASS CLIPPINGS, MULCH, OR ANY DEBRIS THAT HAS ACCUMULATED ON THE LIGHT BULB, LENS, OR BODY OF THE FIXTURE.

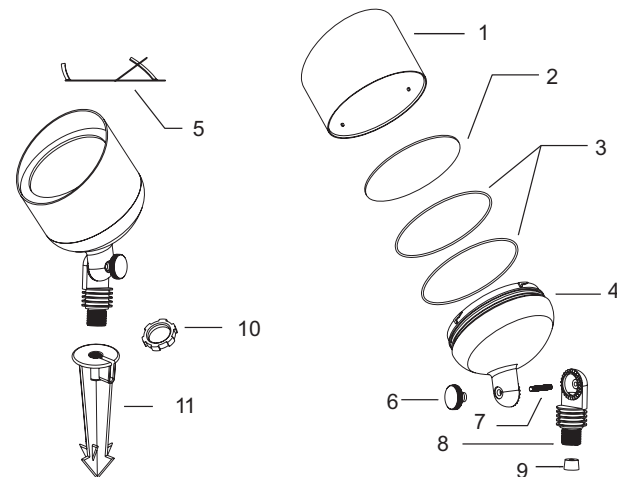
ASSEMBLY AND INSTALLATION

1. **TURN OFF POWER**
2. Determine desired location for mounting fixture.
3. At desired location, install stake into ground. If ground is hard, create a cross cut in ground using flat shovel.
4. Lay 12V wire through wire way on stake.
5. Take cowl off with a counter-clockwise quarter-turn
6. Install PAR36 lamp to the spade style terminal. Reinstall cowl with clockwise quarter-turn.
7. Loosen the lock nut to get desired angle when installing fixture to stake, then tighten.
8. Make wire connections using approved wire nuts (not supplied).

PAR 36 UPLIGHT

MODEL # 15487CBR

FIXTURE DETAILS:



1. Cowl 2. Lens 3. O-Ring 4. Body 5. Lamp Bracket
6. Thumb Screw 7. Nipple 8. Swivel 9. Cord Grip
10. Lock Nut 11. Spike