

DC Sensor



Pre-Set:
 Brightness:100%
 Hold time:5 S
 Stand-by dim:10%
 Stand-by time:0 min
 Daylight:Off
 Sensitivity:100%

Option:



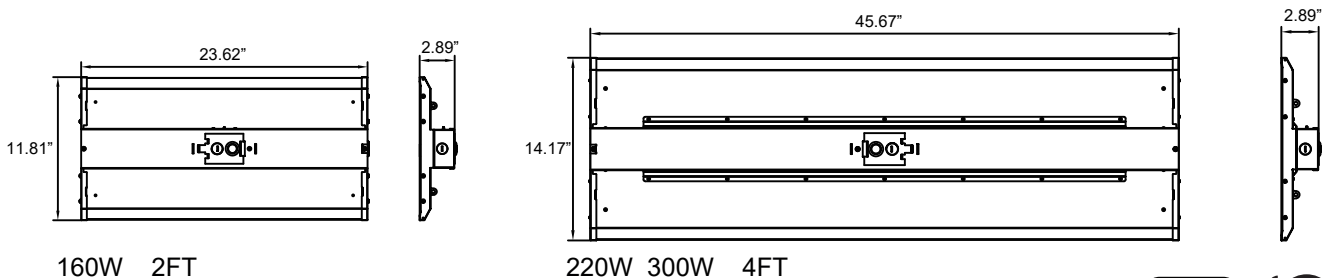
Product Features

The Votatec Linear High Bay is the lighting solution for a wide variety of applications and mounting heights. Precision-designed optics, multiple distributions, and a choice of lumen outputs and color temperatures make the energy-Efficient of the Linear High Bay ideal solution for industrial, commercial and other high bay application.

Specification							
Model No.:	Size	Watt	Efficiency	Lens	Voltage	Color Temperature	Installation
VO-LHW160FT2-347-3WAY-D	2FT	160/110/80W ADJ	150LM/W	Frosted Lens	120-347V	3500/4000K/5000K ADJ	V-hook+Chain Surface Pendant
VO-LHW220FT4-347-3WAY-D VO-LHW220FT4-347-3WAY-D-S	4FT	220/160/110W ADJ	150LM/W	Frosted Lens	120-347V	3500/4000K/5000K ADJ	
VO-LHW300FT4-347-3WAY-D VO-LHW300FT4-347-3WAY-D-S	4FT	300/220/160W ADJ	150LM/W	Frosted Lens	120-347V	3500/4000K/5000K ADJ	

"-S" Represents Sensor Base Ready

Dimension (inch)



Mounting

- Chain mounting ready
- Surface Mounting, Pendant Mounting

Warranty

- 5-year warranty

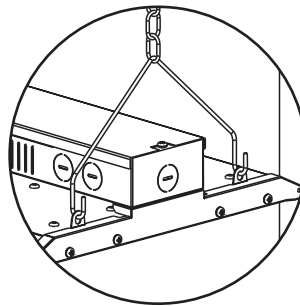
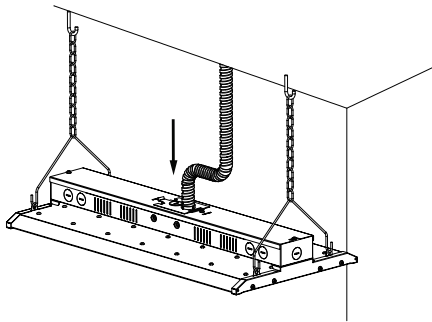
Applications

- Designed to meet recommended luminance and illuminance requirements for High bay and Low bay applications.

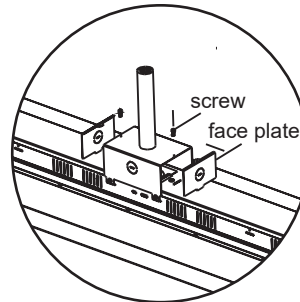
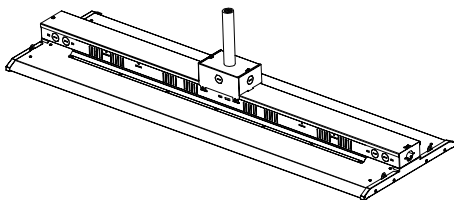
Ratings

- DLC Listed
- RoHs
- UL 1598 suitable for damp locations
- UL 8750 LED equipment in Lighting Products
- Temperature Rated at $(-20^{\circ}$ to $+45^{\circ})$ (-4° to 113°)
- The 0-10V Dimming type is continuous
- The product can dim to 0%

Chain Installation



Pendant Mount Installation



Surface Mount Installation

