

12V AND 120-277V

# Photometrics





12V VLO SMALL ACCENT

LEVEL 1 LUMENS	Item Number	16015 (Low - 100 lm)		16016 (Low - 100 lm)		16017 (Low - 100 lm)			
	Beam Angle	15° Narrow Spot		35° Flood		60° Wide Flood			
LEVEL 2 LUMENS	Max Candela	2122		452		179			
	Ft. Away	Foot-candles	Beam Width	Ft.	Foot-candles	Beam Width	Ft.	Foot-candles	Beam Width
	60'	0.3	13.7'	40'	0.2	24.5'	40'	0.1	46.2'
	48'	0.5	10.9'	32'	0.3	19.6'	32'	0.1	37'
	36'	1	8.2'	24'	0.5	14.7'	24'	0.2	27.7'
	24'	2.1	5.5'	16'	1	9.8'	16'	0.4	18.5'
12'	8.6	2.7'	8'	4.1	4.9'	8'	1.7	9.2'	
8'	19.3	1.8'	4'	16.5	2.5'	4'	6.8	4.6'	
Item Number	16015 (Mid - 200 lm)		16016 (Mid - 200 lm)		16017 (Mid - 200 lm)				
Beam Angle	15° Narrow Spot		35° Flood		60° Wide Flood				
Max Candela	3827		789		311				
Ft. Away	Foot-candles	Beam Width	Ft.	Foot-candles	Beam Width	Ft.	Foot-candles	Beam Width	
60'	0.6	13.7'	40'	0.3	24.5'	40'	0.1	46.2'	
48'	0.9	10.9'	32'	0.5	19.6'	32'	0.2	37'	
36'	1.6	8.2'	24'	0.9	14.7'	24'	0.3	27.7'	
24'	3.6	5.5'	16'	1.9	9.8'	16'	0.8	18.5'	
12'	14.5	2.7'	8'	7.7	4.9'	8'	3.1	9.2'	
8'	32.6	1.8'	4'	30.9	2.5'	4'	12.3	4.6'	
Item Number	16015 (High - 300 lm)		16016 (High - 300 lm)		16017 (High - 300 lm)				
Beam Angle	15° Narrow Spot		35° Flood		60° Wide Flood				
Max Candela	5382		1118		438				
Ft. Away	Foot-candles	Beam Width	Ft.	Foot-candles	Beam Width	Ft.	Foot-candles	Beam Width	
60'	0.8	13.7'	40'	0.5	24.5'	40'	0.2	46.2'	
48'	1.3	10.9'	32'	0.7	19.6'	32'	0.3	37'	
36'	2.3	8.2'	24'	1.2	14.7'	24'	0.5	27.7'	
24'	5.2	5.5'	16'	2.8	9.8'	16'	1.1	18.5'	
12'	21	2.7'	8'	11.1	4.9'	8'	4.4	9.2'	
8'	47.2	1.8'	4'	44.5	2.5'	4'	17.6	4.6'	

12V VLO LARGE ACCENT

LEVEL 1 LUMENS	Item Number	16018 (Low - 400 lm)		16019 (Low - 400 lm)		16020 (Low - 400 lm)			
	Beam Angle	15° Narrow Spot		35° Flood		60° Wide Flood			
LEVEL 2 LUMENS	Max Candela	3521		948		396			
	Ft. Away	Foot-candles	Beam Width	Ft.	Foot-candles	Beam Width	Ft.	Foot-candles	Beam Width
	60'	0.7	15.8'	40'	0.4	24.5'	40'	0.2	49'
	48'	1.1	12.6'	32'	0.6	19.6'	32'	0.3	39.2'
	36'	2	9.5'	24'	1	14.7'	24'	0.5	29.4'
	24'	4.5	6.3'	16'	2.3	9.8'	16'	1.1	19.6'
12'	17.9	3.2'	8'	9.3	4.9'	8'	4.3	9.8'	
8'	40.2	2.1'	4'	37.3	2.5'	4'	17.1	4.9'	
Item Number	16018 (Mid - 600 lm)		16019 (Mid - 600 lm)		16020 (Mid - 600 lm)				
Beam Angle	15° Narrow Spot		35° Flood		60° Wide Flood				
Max Candela	4925		1315		560				
Ft. Away	Foot-candles	Beam Width	Ft.	Foot-candles	Beam Width	Ft.	Foot-candles	Beam Width	
60'	1.3	15.8'	40'	0.7	24.5'	40'	0.3	49'	
48'	2.1	12.6'	32'	1	19.6'	32'	0.5	39.2'	
36'	3.7	9.5'	24'	1.8	14.7'	24'	0.8	29.4'	
24'	8.3	6.3'	16'	4.1	9.8'	16'	1.8	19.6'	
12'	33.2	3.2'	8'	16.4	4.9'	8'	7.3	9.8'	
8'	74.7	2.1'	4'	65.6	2.5'	4'	29.1	4.9'	
Item Number	16018 (High - 835 lm)		16019 (High - 835 lm)		16020 (High - 835 lm)				
Beam Angle	15° Narrow Spot		35° Flood		60° Wide Flood				
Max Candela	6576		1816		750				
Ft. Away	Foot-candles	Beam Width	Ft.	Foot-candles	Beam Width	Ft.	Foot-candles	Beam Width	
60'	1.8	15.8'	40'	0.9	24.5'	40'	0.4	49'	
48'	2.8	12.6'	32'	1.3	19.6'	32'	0.6	39.2'	
36'	5	9.5'	24'	2.4	14.7'	24'	1.1	29.4'	
24'	11.2	6.3'	16'	5.4	9.8'	16'	2.6	19.6'	
12'	44.8	3.2'	8'	21.5	4.9'	8'	10.2	9.8'	
8'	100.8	2.1'	4'	86	2.5'	4'	40.8	4.9'	

# VLO Photometrics

## 12V VLO HIGH LUMEN ACCENT

LEVEL 1 LUMENS	Item	16160 (Low - 1000 lm)			Item	16161 (Low - 1000 lm)			Item	16162 (Low - 1000 lm)		
	Beam	15° Narrow Spot			Beam	35° Flood			Beam	60° Wide Flood		
	Candela	Max Candela: 12,200			Candela	Max Candela: 2,394			Candela	Max Candela: 830		
	Distance	fc	1000 lm	Beam Width	Distance	fc	1000 lm	Beam Width	Distance	fc	1000 lm	Beam Width
	84'	1.7		18'	84'	0.3		42'	84'	0.1		120'
	72'	2.4		15'	72'	0.5		36'	72'	0.2		103'
	60'	3.4		13'	60'	0.7		30'	60'	0.2		86'
	48'	5.3		10'	48'	1		24'	48'	0.4		68.5'
	36'	9.4		7'	36'	1.8		18'	36'	0.6		51.5'
	24'	21		5'	24'	4.2		12'	24'	1.4		34.5'
	12'	85		2.5'	12'	17		6'	12'	5.8		17'
	8'	190		1.7'	8'	37		4'	8'	13		11.5'

LEVEL 2 LUMENS	Item	16160 (High - 1200 lm)			Item	16161 (High - 1200 lm)			Item	16162 (High - 1200 lm)		
	Beam	15° Narrow Spot			Beam	35° Flood			Beam	60° Wide Flood		
	Candela	Max Candela: 14,600			Candela	Max Candela: 2,872			Candela	Max Candela: 996		
	Distance	fc	1200 lm	Beam Width	Distance	fc	1200 lm	Beam Width	Distance	fc	1200 lm	Beam Width
	84'	2.1		18'	84'	0.4		42'	84'	0.1		120'
	72'	2.8		15'	72'	0.6		36'	72'	0.2		103'
	60'	4.1		13'	60'	0.8		30'	60'	0.3		86'
	48'	6.4		10'	48'	1.2		24'	48'	0.4		68.5'
	36'	11		7'	36'	2.2		18'	36'	0.8		51.5'
	24'	25		5'	24'	5		12'	24'	1.7		34.5'
	12'	102		2.5'	12'	20		6'	12'	6.9		17'
	8'	229		1.7'	8'	45		4'	8'	15.6		11.5'

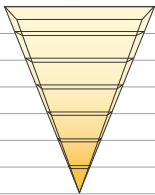
## 12V VLO IN-GROUND

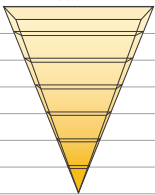
LEVEL 1 LUMENS	Item	16023 (Low - 350 lm)			Item	16024 (Low - 350 lm)			Item	16025 (Low - 350 lm)		
	Beam	15° Narrow Spot			Beam	35° Flood			Beam	60° Wide Flood		
	Candela	Max Candela: 3699			Candela	Max Candela: 883			Candela	Max Candela: 287		
	Distance	fc	350 lm	Beam Width	Distance	fc	350 lm	Beam Width	Distance	fc	350 lm	Beam Width
	60'	0.8		15.8'	60'	0.2		35.5'	60'	0.1		82.5'
	50'	1.1		13.2'	50'	0.3		29.6'	50'	0.1		68.7'
	40'	1.7		10.5'	40'	0.4		23.7'	40'	0.1		55.0'
	30'	3.1		7.9'	30'	0.7		17.8'	30'	0.2		41.2'
	20'	6.9		5.3'	20'	1.6		11.8'	20'	0.5		27.5'
	10'	27.6		2.6'	10'	6.4		5.9'	10'	2.0		13.7'
	5'	110.3		1.3'	5'	25.8		3.0'	5'	8.1		6.9'

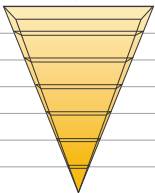
LEVEL 2 LUMENS	Item	16023 (Mid - 550 lm)			Item	16024 (Mid - 550 lm)			Item	16025 (Mid - 550 lm)		
	Beam	15° Narrow Spot			Beam	35° Flood			Beam	60° Wide Flood		
	Candela	Max Candela: 5651			Candela	Max Candela: 1344			Candela	Max Candela: 441		
	Distance	fc	550 lm	Beam Width	Distance	fc	550 lm	Beam Width	Distance	fc	550 lm	Beam Width
	60'	1.2		15.8'	60'	0.3		35.5'	60'	0.1		82.5'
	50'	1.7		13.2'	50'	0.4		29.6'	50'	0.1		68.7'
	40'	2.6		10.5'	40'	0.6		23.7'	40'	0.2		55.0'
	30'	4.7		7.9'	30'	1.1		17.8'	30'	0.3		41.2'
	20'	10.5		5.3'	20'	2.5		11.8'	20'	0.8		27.5'
	10'	42.1		2.6'	10'	9.8		5.9'	10'	3.1		13.7'
	5'	168.6		1.3'	5'	39.2		3.0'	5'	12.4		6.9'

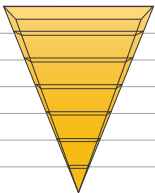
LEVEL 3 LUMENS	Item	16023 (High - 850 lm)			Item	16024 (High - 850 lm)			Item	16025 (High - 850 lm)		
	Beam	15° Narrow Spot			Beam	35° Flood			Beam	60° Wide Flood		
	Candela	Max Candela: 7913			Candela	Max Candela: 1858			Candela	Max Candela: 601		
	Distance	fc	850 lm	Beam Width	Distance	fc	850 lm	Beam Width	Distance	fc	850 lm	Beam Width
	60'	1.6		15.8'	60'	0.4		35.5'	60'	0.1		82.5'
	50'	2.4		13.2'	50'	0.5		29.6'	50'	0.2		68.7'
	40'	3.7		10.5'	40'	0.8		23.7'	40'	0.3		55.0'
	30'	6.6		7.9'	30'	1.5		17.8'	30'	0.5		41.2'
	20'	14.8		5.3'	20'	3.4		11.8'	20'	1.1		27.5'
	10'	59.0		2.6'	10'	13.6		5.9'	10'	4.2		13.7'
	5'	236.1		1.3'	5'	54.2		3.0'	5'	16.9		6.9'

## 12V VLO MINI WALL WASH

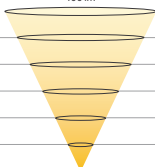
LEVEL 1 LUMENS	Item	16026 (Low - 150 lm)			
	Beam Angle	6x5 NEMA Flood			
	Max. Candela	79.7			
	Distance in Feet	Foot-candles Average*	Beam Width		
			150lm	Vert.	Horiz.
	20'	0.2		30'	46'
	15'	0.4		22.6'	34.5'
	10'	0.8		15'	23'
	8'	1.3		12'	18.4'
	6'	2.2		9'	13.8'
	4'	5.0		6'	9'
	2'	19.9		3'	4.6'

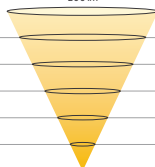
LEVEL 2 LUMENS	Item	16026 (Mid - 300 lm)			
	Beam Angle	6x5 NEMA Flood			
	Max. Candela	159.5			
	Distance in Feet	Foot-candles Average*	Beam Width		
			300lm	Vert.	Horiz.
	20'	0.4		30'	46'
	15'	0.7		22.6'	34.5'
	10'	1.6		15'	23'
	8'	2.5		12'	18.4'
	6'	4.5		9'	13.8'
	4'	10.0		6'	9'
	2'	39.9		3'	4.6'

LEVEL 3 LUMENS	Item	16026 (Mid - 450 lm)			
	Beam Angle	6x5 NEMA Flood			
	Max. Candela	239.2			
	Distance in Feet	Foot-candles Average*	Beam Width		
			450lm	Vert.	Horiz.
	20'	0.6		30'	46'
	15'	1.1		22.6'	34.5'
	10'	2.4		15'	23'
	8'	3.8		12'	18.4'
	6'	6.7		9'	13.8'
	4'	14.9		6'	9'
	2'	59.8		3'	4.6'

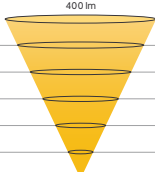
LEVEL 4 LUMENS	Item	16026 (High - 600 lm)			
	Beam Angle	6x5 NEMA Flood			
	Max. Candela	319.0			
	Distance in Feet	Foot-candles Average*	Beam Width		
			600lm	Vert.	Horiz.
	20'	0.8		30'	46'
	15'	1.4		22.6'	34.5'
	10'	3.2		15'	23'
	8'	5.0		12'	18.4'
	6'	8.9		9'	13.8'
	4'	19.9		6'	9'
	2'	79.7		3'	4.6'

## 12V VLO UNDERWATER

LEVEL 1 LUMENS	Item	16027 (Low - 100 lm)		
	Beam Angle	60° Wide Flood		
	CBCP*	105.3 at Horizontal 180°, Vertical 13°		
	Distance	Foot-candles	Beam Width	
			100lm	
	40'	.06		50'
	32'	.09		40'
	24'	.16		30'
	16'	.36		20'
	8'	1.4		10'
	4'	5.7		5'

LEVEL 2 LUMENS	Item	16027 (Mid - 200 lm)		
	Beam Angle	60° Wide Flood		
	CBCP*	214.2 at Horizontal 135°, Vertical 16°		
	Distance	Foot-candles	Beam Width	
			200lm	
	40'	.12		50'
	32'	.18		40'
	24'	.32		30'
	16'	.72		20'
	8'	2.9		10'
	4'	11.5		5'

\*Center Beam Candle Power measured in candela.

LEVEL 3 LUMENS	Item	16027 (High - 400 lm)		
	Beam Angle	60° Wide Flood		
	CBCP*	385.6 at Horizontal 135°, Vertical 15°		
	Distance	Foot-candles	Beam Width	
			400lm	
	40'	.22		50'
	32'	.34		40'
	24'	.60		30'
	16'	1.4		20'
	8'	5.5		10'
	4'	21.5		5'

# 12V LED Photometrics

## 200 LM 12V ACCENT

Item Number	16150		16151		16152			
Beam Angle	10° Spot		35° Flood		60° Wide Flood			
Max Candela	3867		527		221			
Ft. Away	Foot-candles	Beam Width	Ft.	Foot-candles	Beam Width	Ft.	Foot-candles	Beam Width
60'	0.7	11.1	40'	0.2	24.5	40'	0.1	41.7
48'	1.1	8.9	32'	0.3	19.6	32'	0.1	33.3
36'	1.9	6.7	24'	0.6	14.7	24'	0.2	25
24'	4.3	4.5	16'	1.4	9.8	16'	0.5	16.7
12'	17.1	2.2	8'	5.4	4.9	8'	2.1	8.3
8'	38.4	1.5	4'	21.7	2.5	4'	8.3	4.2

## 300 LM 12V ACCENT

Item Number	16153		16154		16155			
Beam Angle	10° Spot		35° Flood		60° Wide Flood			
Max Candela	5213		738		282			
Ft. Away	Foot-candles	Beam Width	Ft.	Foot-candles	Beam Width	Ft.	Foot-candles	Beam Width
60'	1.2	11.5	40'	0.3	24.8	40'	0.1	43.4
48'	1.8	9.2	32'	0.5	19.8	32'	0.2	34.8
36'	3.3	6.9	24'	0.9	14.9	24'	0.3	26.1
24'	7.4	4.6	16'	1.9	9.9	16'	0.8	17.4
12'	29.4	2.3	8'	7.6	5	8'	2.7	8.7
8'	66.2	1.5	4'	30.5	2.5	4'	10.7	4.3

## 500 LM 12V ACCENT

Item Number	16156		16157		16158			
Beam Angle	10° Spot		35° Flood		60° Wide Flood			
Max Candela	9236		1298		514.4			
Ft. Away	Foot-candles	Beam Width	Ft.	Foot-candles	Beam Width	Ft.	Foot-candles	Beam Width
60'	2	10.9	40'	0.5	24.2	40'	0.2	42
48'	3.1	8.7	32'	0.8	19.3	32'	0.3	33.6
36'	5.5	6.6	24'	1.5	14.5	24'	0.5	25.2
24'	12.3	4.4	16'	3.4	9.7	16'	1.2	16.8
12'	49.3	2.2	8'	13.5	4.8	8'	4.8	8.4
8'	111	1.5	4'	54	2.4	4'	19.2	4.2

## 12V MINI ALL-PURPOSE RECESSED

Item Number	16140		16141		16140		16141							
Beam Angle	20°		20°		40°		40°							
Max Candela	358.52		594.23		170.85		308.33							
Ft. Away	Foot Candles	Beam Width Ft.	Foot Candles	Beam Width Ft.	Ft. Away	Foot Candles	Beam Width Ft.	Ft. Away	Foot Candles	Beam Width Ft.	Foot Candles	Beam Width Ft.		
20'	0.9	8.95	1.5	9.92	20'	0.4	16.62	0.8	14.75	20'	0.2	34.36	0.3	29.3
18'	1.1	8.05	1.8	8.93	18'	0.5	14.96	1	13.27	18'	0.2	30.92	0.4	26.37
16'	1.4	7.16	2.3	7.94	16'	0.7	13.3	1.2	11.8	16'	0.3	27.49	0.5	23.44
14'	1.8	6.26	3	6.94	14'	0.9	11.64	1.6	10.32	14'	0.3	24.05	0.7	20.51
12'	2.5	5.37	4.1	5.95	12'	1.2	9.97	2.1	8.85	12'	0.5	20.62	1	17.58
10'	3.6	4.47	5.9	4.96	10'	1.7	8.31	3.1	7.37	10'	0.7	17.18	1.4	14.65
8'	5.6	3.58	9.3	3.97	8'	2.7	6.65	4.8	5.9	8'	1.1	13.74	2.2	11.72
6'	10	2.68	16.5	2.98	6'	4.7	4.99	8.6	4.42	6'	1.9	10.31	3.9	8.79
4'	22.4	1.79	37.1	1.98	4'	10.6	3.32	19.2	2.95	4'	4.2	6.87	8.7	5.86
2'	89.6	0.89	148.6	0.99	2'	42.6	1.66	77	1.47	2'	16.8	3.44	34.8	2.93

## 12V HARDSCAPE

16100 - 3.5" Hardscape							16101 - 6" Hardscape						
		Lateral distance from fixture							Lateral distance from fixture				
Foot-candles	Mounting Height	0	1 ft.	2 ft.	3 ft.	4 ft.	Foot-candles	Mounting Height	0	1 ft.	2 ft.	3 ft.	4 ft.
	6 in.	17.96	0.44	0.01	0.00	0.00		6 in.	72.60	0.88	0.00	0.00	0.00
	1 ft.	4.49	1.14	0.11	0.01	0.02		1 ft.	18.15	3.78	0.22	0.01	0.03
	2 ft.	1.12	0.76	0.28	0.09	0.03		2 ft.	4.54	2.88	0.94	0.23	0.05
	3 ft.	0.50	0.42	0.25	0.13	0.06		3 ft.	2.02	1.65	0.93	0.42	0.16

16102 - 12" Hardscape						16103 - 18" Hardscape							
		Lateral distance from fixture						Lateral distance from fixture					
Foot-candles	Mounting Height	0	1 ft.	2 ft.	3 ft.	4 ft.	Foot-candles	Mounting Height	0	1 ft.	2 ft.	3 ft.	4 ft.
	6 in.	143.2	2.68	0.02	0.00	0.00		6 in.	216.4	3.25	0.01	0.00	0.00
	1 ft.	35.81	8.31	0.67	0.06	0.11		1 ft.	54.10	12.28	0.81	0.05	0.13
	2 ft.	8.95	5.86	2.08	0.58	0.17		2 ft.	13.53	8.88	3.07	0.79	0.20
	3 ft.	3.98	3.29	1.93	0.92	0.39		3 ft.	6.01	4.99	2.90	1.36	0.56

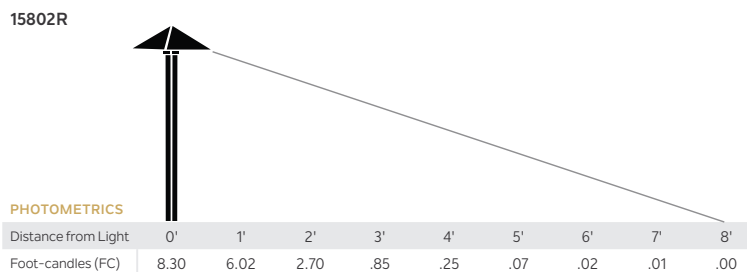
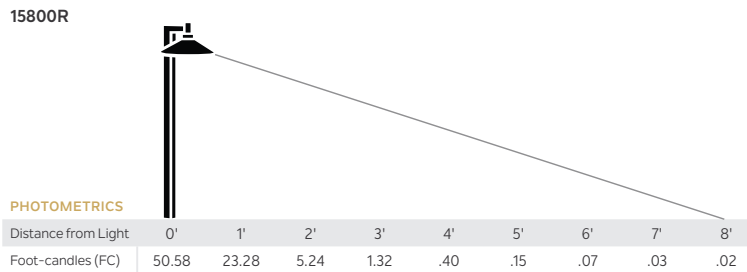
Foot-candles 108° Beam Angle

General Hardscape Fixture Spacing Guideline				
Item	16100 (3.5")	16101 (6")	16102 (12")	16103 (18")
Mounting Height	Recommended Spacing (center-to-center of fixtures)			
6" - 18"	3'-4'	4'-5'	-	-
18" - 24"	3'-4'	4'-5'	6'-8'	-
24" - 36"	3'-4'	4'-6'	6'-8'	6'-8'
36" - 48"	-	4'-6'	6'-8'	6'-8'
48" - 60"	-	-	6'-8'	6'-8'

Highlighted values are optimal selections for mounting height application

Tip: Use centering notch on mounting bracket to aid in spacing layout during installation.

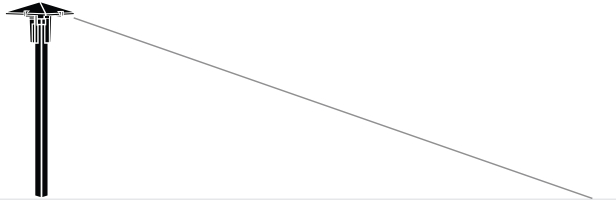
## 12V LED PATH LIGHTS



# 12V LED Photometrics

## 12V LED PATH LIGHTS

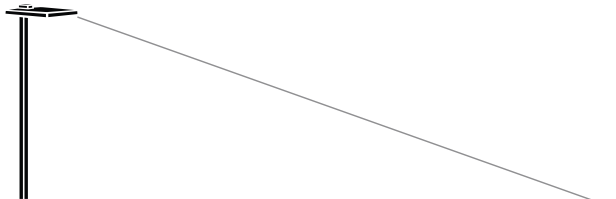
15803R



**PHOTOMETRICS**

Distance from Light	0'	1'	2'	3'	4'	5'	6'	7'	8'
Foot-candles (FC)	8.42	5.86	2.35	1.12	.42	.20	.16	.12	.07

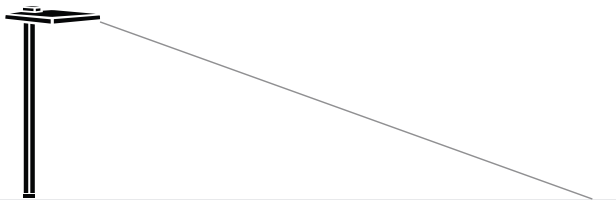
15805R



**PHOTOMETRICS**

Distance from Light	0'	1'	2'	3'	4'	5'	6'	7'	8'
Foot-candles (FC)	19.74	12.12	5.48	1.77	.67	.26	.10	.02	.02

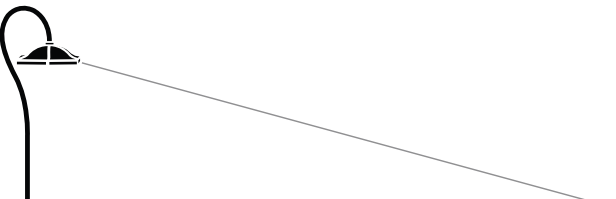
15806R



**PHOTOMETRICS**

Distance from Light	0'	1'	2'	3'	4'	5'	6'	7'	8'
Foot-candles (FC)	18.63	11.72	5.35	1.61	.62	.29	.11	.05	.02

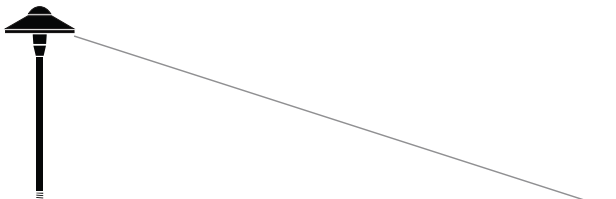
15807R



**PHOTOMETRICS**

Distance from Light	0'	1'	2'	3'	4'	5'	6'	7'	8'
Foot-candles (FC)	53.61	21.7	4.39	1.01	.29	.11	.05	.02	.01

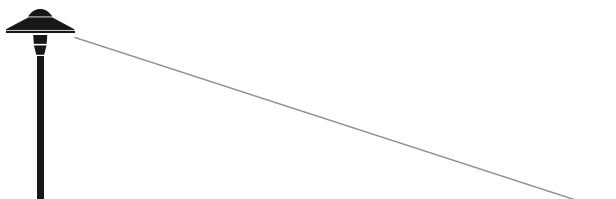
15810R



**PHOTOMETRICS**

Distance from Light	0'	1'	2'	3'	4'	5'	6'	7'	8'
Foot-candles (FC)	11.97	6.14	2.32	.74	.31	.19	.12	.07	.01

15811R



**PHOTOMETRICS**

Distance from Light	0'	1'	2'	3'	4'	5'	6'	7'	8'
Foot-candles (FC)	33.0	13.01	3.23	1.13	.46	.16	.02	.01	.00

## 12V LED PATH LIGHTS

15815R



**PHOTOMETRICS**

Distance from Light	0'	1'	2'	3'	4'	5'	6'	7'	8'
Foot-candles (FC)	89.49	24.45	3.62	.74	.23	.09	.04	.02	.01

15820



**PHOTOMETRICS**

Distance from Light	0'	1'	2'	3'	4'	5'	6'	7'	8'
Foot-candles (FC)	12.47	5.79	2.04	.67	.18	.05	.02	.01	.00

15821



**PHOTOMETRICS**

Distance from Light	0'	1'	2'	3'	4'	5'	6'	7'	8'
Foot-candles (FC)	27.75	7.65	1.32	.16	.03	.01	.00	.00	.00

15826R



**PHOTOMETRICS**

Distance from Light	0'	1'	2'	3'	4'	5'	6'	7'	8'
Foot-candles (FC)	26.58	11.0	3.46	.87	.45	.11	.03	.02	.01

15827



**PHOTOMETRICS**

Distance from Light	0'	1'	2'	3'	4'	5'	6'	7'	8'
Foot-candles (FC)	86.23	23.86	3.51	.69	.20	.07	.04	.02	.01

15833R



**PHOTOMETRICS**

Distance from Light	0'	1'	2'	3'	4'	5'	6'	7'	8'
Foot-candles (FC)	18.47	11.74	4.25	1.4	.52	.24	.11	.06	.03



# 12V LED Photometrics

## 12V LED PATH LIGHTS

15839R



**PHOTOMETRICS**

Distance from Light	0'	1'	2'	3'	4'	5'	6'	7'	8'
Foot-candles (FC)	23.9	11.28	3.85	1.1	.46	.11	.03	.02	.01

15850R



**PHOTOMETRICS**

Distance from Light	0'	1'	2'	3'	4'	5'	6'	7'	8'
Foot-candles (FC)	29.92	11.96	4.91	2.02	1.32	.32	.12	.06	.03

15857R



**PHOTOMETRICS**

Distance from Light	0'	1'	2'	3'	4'	5'	6'	7'	8'
Foot-candles (FC)	8.6	4.35	1.63	.52	.11	.02	.01	.00	.00

15870R



**PHOTOMETRICS**

Distance from Light	0'	1'	2'	3'	4'	5'	6'	7'	8'
Foot-candles (FC)	16.46	9.01	3.29	1.06	.50	.30	.09	.02	.01

15871R



**PHOTOMETRICS**

Distance from Light	0'	1'	2'	3'	4'	5'	6'	7'	8'
Foot-candles (FC)	15.13	7.05	2.37	.60	.09	.02	.01	.01	.00

15878



**PHOTOMETRICS**

Distance from Light	0'	1'	2'	3'	4'	5'	6'	7'	8'
Foot-candles (FC)	22.34	10.89	3.55	1.13	.54	.11	.03	.01	.01

# 12V LED Photometrics

## 12V LED PATH LIGHTS

15880



**PHOTOMETRICS**

Distance from Light	0'	1'	2'	3'	4'	5'	6'	7'	8'
Foot-candles (FC)	22.8	10.99	3.99	1.57	.66	.38	.14	.05	.01

16120



**PHOTOMETRICS**

Distance from Light	0'	1'	2'	3'	4'	5'	6'	7'	8'
Foot-candles (FC)	24.97	12.35	3.70	.92	.31	.07	.02	.01	.01

16122



**PHOTOMETRICS**

Distance from Light	0'	1'	2'	3'	4'	5'	6'	7'	8'
Foot-candles (FC)	15.05	7.11	2.38	.59	.12	.03	.01	.00	.00

16124



**PHOTOMETRICS**

Distance from Light	0'	1'	2'	3'	4'	5'	6'	7'	8'
Foot-candles (FC)	9.45	4.44	1.59	.48	.24	.10	.04	.03	.02

16125



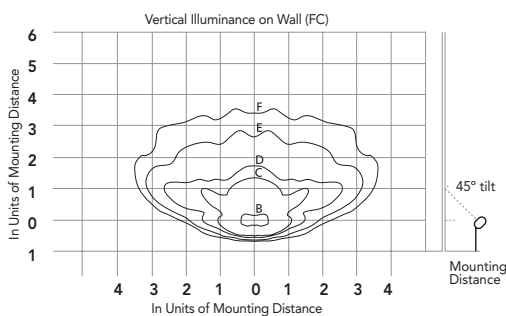
**PHOTOMETRICS**

Distance from Light	0'	1'	2'	3'	4'	5'	6'	7'	8'
Foot-candles (FC)	17.56	9.46	3.28	.98	.60	.39	.22	.09	.03

# 12V Drop-in Photometrics

## 12V DROP-IN ACCENT

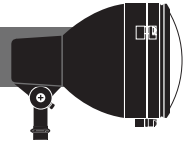
15396AZT



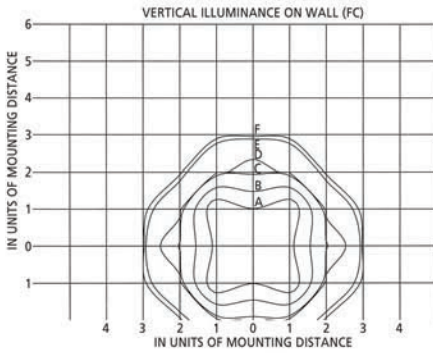
# 120V Drop-in Photometrics

## 120V DROP-IN ACCENTS

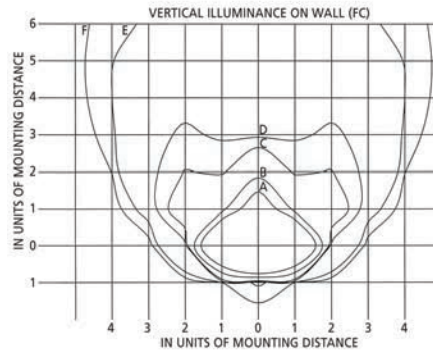
### 15251 – 75W Metal Halide



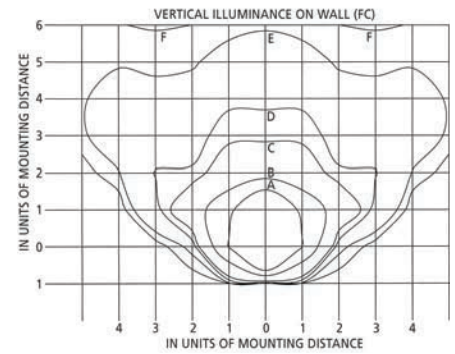
Clear ED17 Metal Halide based on 5000 lumens per lamp



0° Angle

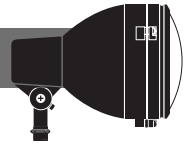


30° Angle

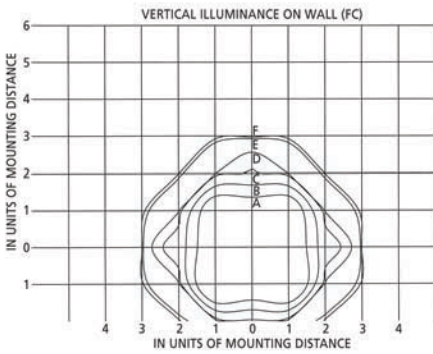


45° Angle

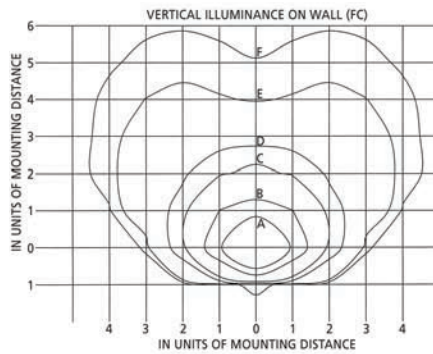
### 15251 – 100W Metal Halide



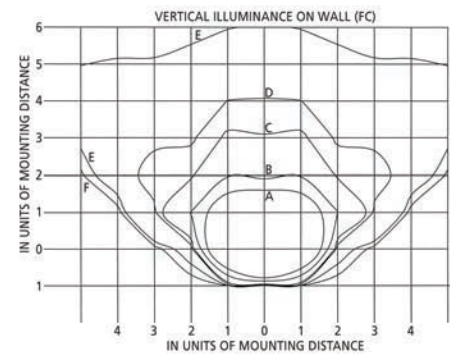
Clear ED17 Metal Halide based on 9000 lumens per lamp



0° Angle

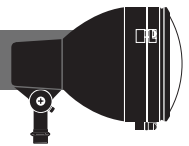


30° Angle

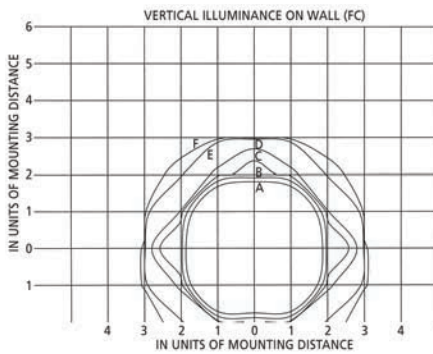


45° Angle

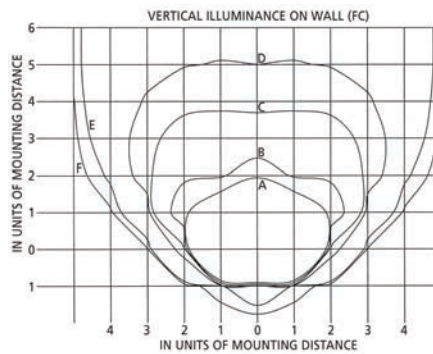
### 15251 – 175W Metal Halide



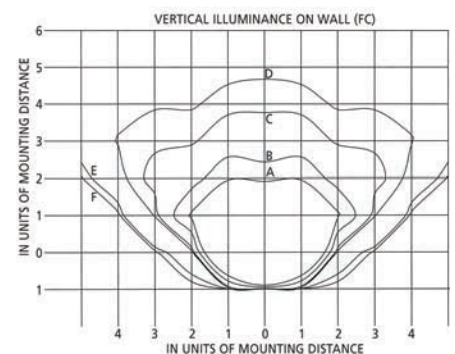
Clear ED17 Metal Halide based on 14,000 lumens per lamp



0° Angle



30° Angle



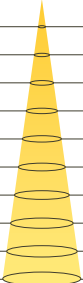
45° Angle

# Popular C-Series 120V-277V Photometrics

## 5W SMALL ACCENT


**16209**  
15° Spot Beam Angle

	fc		∅
3.3'	172		1
6.6'	43		1.9
9.8'	19		2.9
13.1'	10.8		3.8
16.4'	6.9		4.8
19.7'	4.8		5.8
23'	3.5		6.8
26.3'	2.7		7.7
29.5'	2.1		8.7
32.8'	1.7		9.7



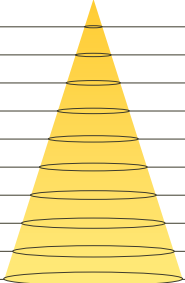
**16210**  
40° Flood Beam Angle

	fc		∅
3.3'	79.4		2.1
6.6'	19.9		4.3
9.8'	8.8		6.4
13.1'	5		8.5
16.4'	3.2		10.6
19.7'	2.2		12.8
23'	1.6		14.9
26.3'	1.2		17
29.5'	1		19.1
32.8'	.8		21.3



**16211**  
55° Wide Flood Beam Angle

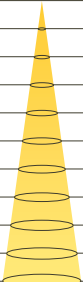
	fc		∅
3.3'	41.1		3.4
6.6'	10.3		6.8
9.8'	4.6		10.2
13.1'	2.6		13.6
16.4'	1.6		17
19.7'	1.1		20.3
23'	.8		23.7
26.3'	.6		27.1
29.5'	.5		30.5
32.8'	.4		33.9



## 10W SMALL ACCENT

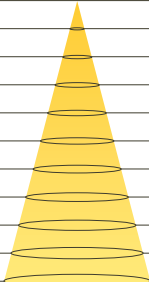
**16212**  
15° Spot Beam Angle

	fc		∅
3.3'	321.3		1
6.6'	80.3		1.9
9.8'	35.7		2.9
13.1'	20.1		3.8
16.4'	12.9		4.8
19.7'	8.9		5.7
23'	6.6		6.7
26.3'	5		7.6
29.5'	4		8.6
32.8'	3.2		9.5



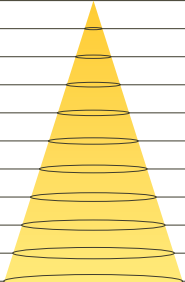
**16213**  
40° Flood Beam Angle

	fc		∅
3.3'	137		2.1
6.6'	34.3		4.3
9.8'	15.2		6.4
13.1'	8.6		8.6
16.4'	5.5		10.7
19.7'	3.8		12.9
23'	2.8		15
26.3'	2.1		17.2
29.5'	1.7		19.3
32.8'	1.4		21.5



**16214**  
55° Wide Flood Beam Angle

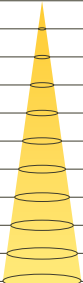
	fc		∅
3.3'	76.4		3.3
6.6'	19.1		6.5
9.8'	8.5		9.8
13.1'	4.8		13.1
16.4'	3.1		16.3
19.7'	2.1		19.6
23'	1.6		22.9
26.3'	1.2		26.1
29.5'	1		29.4
32.8'	.8		32.7



## 14W LARGE ACCENT

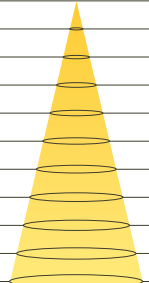
**16215**  
15° Spot Beam Angle

	fc		∅
3.3'	967.7		.7
6.6'	241.9		1.3
9.8'	107.5		2
13.1'	60.5		2.7
16.4'	38.7		3.4
19.7'	26.9		4
23'	19.8		4.7
26.3'	15.1		5.4
29.5'	12		6
32.8'	9.7		6.7



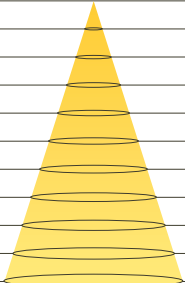
**16216**  
33° Flood Beam Angle

	fc		∅
3.3'	244		1.7
6.6'	61		3.4
9.8'	27.1		5.2
13.1'	15.2		6.9
16.4'	9.8		8.6
19.7'	6.8		10.3
23'	5		12
26.3'	3.8		13.7
29.5'	3		15.5
32.8'	2.4		17.2



**16217**  
55° Wide Flood Beam Angle

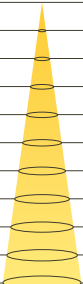
	fc		∅
3.3'	115.4		3.3
6.6'	28.9		6.5
9.8'	12.8		9.7
13.1'	7.2		13
16.4'	4.6		16.3
19.7'	3.2		19.5
23'	2.4		22.8
26.3'	1.8		26
29.5'	1.4		29.3
32.8'	1.2		32.5



## 21W LARGE ACCENT

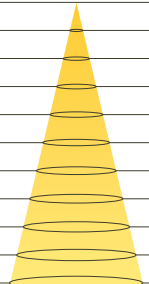
**16218**  
15° Spot Beam Angle

	fc		∅
3.3'	924.2		.9
6.6'	231		1.7
9.8'	102.7		2.6
13.1'	57.8		3.5
16.4'	37		4.3
19.7'	25.7		5.2
23'	18.9		6.1
26.3'	14.4		6.9
29.5'	11.4		7.8
32.8'	9.2		8.7



**16219**  
33° Flood Beam Angle

	fc		∅
3.3'	324.2		2
6.6'	81.1		4
9.8'	36		6
13.1'	20.3		8
16.4'	13		10
19.7'	9		12
23'	6.6		14
26.3'	5.1		16
29.5'	4		18
32.8'	3.2		20



**16220**  
55° Wide Flood Beam Angle

	fc		∅
3.3'	165.9		3.2
6.6'	41.5		6.4
9.8'	18.4		9.7
13.1'	10.4		12.9
16.4'	6.6		16.1
19.7'	4.6		19.3
23'	3.4		22.5
26.3'	2.6		25.7
29.5'	2		29
32.8'	1.7		32.2

