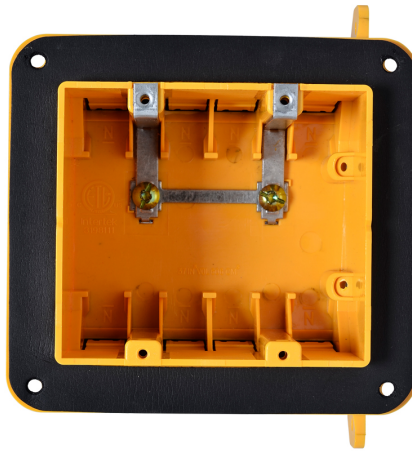


# Non-metallic box

## MODEL WPB02



### HIGHLIGHTS

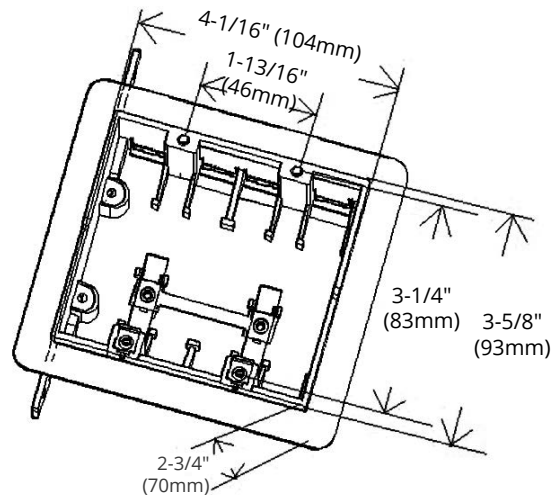
Two gang insulated vapour-proof non-metallic switch and outlet box

- Easy installation
- Universal accessory commonly used in household
- Complies with UL514C and CSA C22.2 standard
- Can be fitted with switches, sockets, GFCI, dimmers and other standard accessories

### SPECIFICATIONS

Model	<b>WPB02</b>
Material	PVC (polyvinyl chloride)
Colour	Yellow
CU.IN.	37
AWG	16-10

### DIMENSIONS



Reference	QTY.	Remarks	Project:
			Location:
			Architect:
			Engineer:
			Contractor:
			Submitted by:
			Date:

ORTECH reserves the right to modify at any time, without notice, any or all of our product's features, designs, components and specifications to meet market changes.