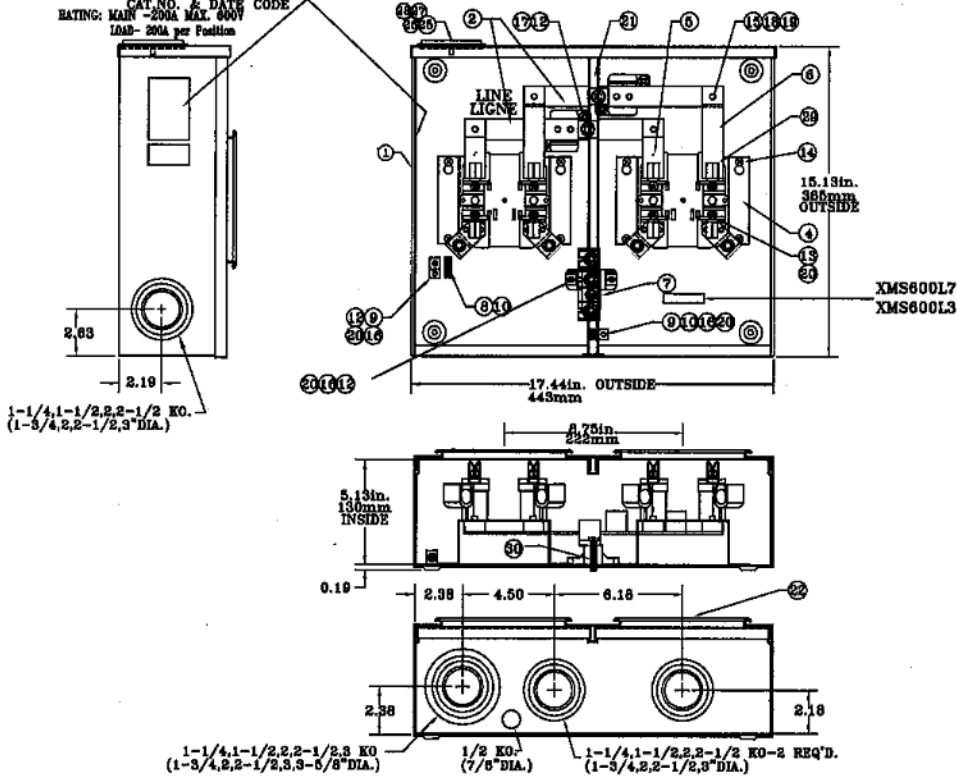

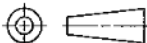


This Document should be DISCARDED if found detached from a Work Order

LABEL: CSA ENCLOSURE  
 CAT. NO. & DATE CODE  
 RATING: MAIN - 200A MAX. 800V  
 LOAD - 200A per Position



UNLESS OTHERWISE SPECIFIED ALL DIMENSIONS SHOWN APPLY AFTER PLATINGS AND COATINGS		CAD MAINTAINED DATA CHANGES SHALL BE INCORPORATED ELECTRONICALLY		 <b>Hydel</b> <small>a division of Orco Enterprises Inc.</small>	
TOLERANCES APPLY AS SHOWN BELOW		PROPRIETARY NOT TO BE DISCLOSED OR REPRODUCED IN ANY MANNER WITHOUT THE EXPRESS WRITTEN PERMISSION OF HYDEL			
DECIMAL PLACES	INCHES	MILLIMETRES	B JULY 28/21 NP CSA ISOLATED NEUTRAL ASSEMBLY ADDED. A JUNE 19/16 KRC DIMENSIONS WAS YMS42RPI ADDED DIMS16 & YMS600L3 ADDED DET.22		TITLE: 200A MAIN 200A LOAD 2 Pos.Meter Socket
ANGULAR DIMENSIONS			THIRD ANGLE PROJECTION		PART NO. H22R
XX°	± 0.005				REV. B
XX°*	± 0.010				REV. A
X	± 0.020		REV. DATE	REV BY	CHANGE
SURFACE ROUGHNESS			DRAWN BY	PJS	MAY 6/99
MICROINCH/ MICRON			APPROVED BY	for	
63	1.6		DWG NO.		H22R
					SHEET 1012

6 5 4 3 2 1