

**SAFETY INSTRUCTIONS  
READ THIS FIRST  
KEEP THESE INSTRUCTIONS**

This fixture is intended for installation in accordance with the National Electric Code (NEC) and Local code specifications. Failure to adhere to these codes and instructions may result in serious injury and/or property damage and will void the warranty.

- 1) WARNING: This fixture is not to be installed within 10 feet (3M) of a pool, spa or fountain.
- 2) According to the requirements of the National Electric Code (NEC), direct burial rated wire is to be buried a minimum of 6" [152mm] beneath the surface of the ground.  
NOTE: If additional Direct Burial wire is needed, contact your local Kichler® landscape distributor.
  - 8 GA wire can be purchased in length of 250' (76 M), 15503-BK.
  - 10 GA wire can be purchased in length of 250' (76 M), 15504-BK.
  - 12 GA wire can be purchased in lengths of 100' (30 M), 15501-BK; 250' (76 M), 15502-BK; 500' (152M), 15505-BK; and 1000' (304 M), 15506-BK.
- 3) Wiring connections must be made with approved/listed wire connection device(s) suitable for the application. Do not exceed manufacturers' wiring combination specifications for size and quantity of conductors.

**CAUTION**

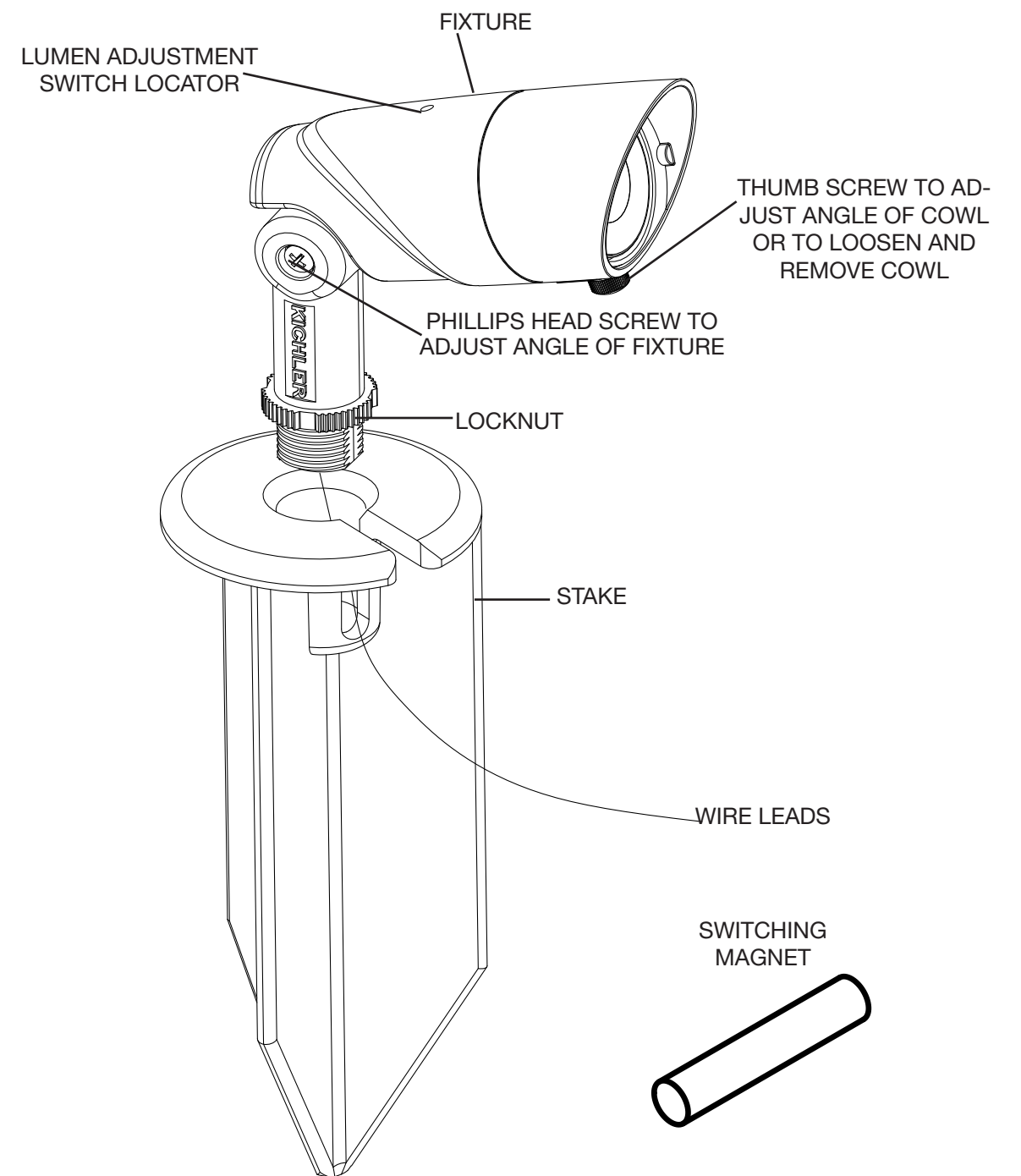
WHEN INSTALLING KICHLER LANDSCAPE LIGHTING (LINE VOLTAGE OR LOW VOLTAGE), CARE SHOULD BE TAKEN TO KEEP CLEAR OF POTENTIALLY COMBUSTIBLE MATERIALS. WHEN MAINTAINING THE FIXTURES, BE SURE TO REMOVE LEAVES, PINE NEEDLES, GRASS CLIPPINGS, MULCH, OR ANY DEBRIS THAT HAS ACCUMULATED ON THE LIGHT BULB, LENS, OR BODY OF THE FIXTURE.

**ASSEMBLY AND INSTALLATION**

- 1) Determine desired location for mounting fixture.
- 2) At desired location, hammer stake into ground. To avoid damage to stake, place a board on top of stake while hammering. If ground is hard and stake is difficult to install, make a crosscut in ground using a flat shovel.
- 3) Clear away area in ground at wireway slot in top of stake.
- 4) Lay 12V cable into wireway slot and screw fixture into stake. Aim fixture in desired direction and secure by tightening locknut. If necessary, use wrench or pliers for final tightening of nut.
- 5) Adjust angle of accent light by loosening Phillips head screw.
- 6) Adjust angle of cowl by loosening thumb screw.
- 7) TURN OFF POWER.
- 8) Make wire connections using supplied wire connectors following instructions included, or using other approved wiring connection method (not supplied).

**TO CHANGE LIGHT OUTPUT SETTING:**

- NOTE: Fixture switches up in terms of lumen settings; it starts at medium (200 lumens) for the small accent and starts at low (400 lumens) for the large accent. If these levels are desired, no adjustment is needed.
- Locate the dimple at the top of the fixture. (This is called a lumen adjustment switch locator)
- Hold magnet on lumen adjustment switch locator for 1.5 seconds to begin programming mode. Remove magnet.
- Fixture will blink continuously 4x's at full brightness level and go dark for 2 seconds and then will illuminate at original factory setting.
- To switch lumen settings, magnet must be reapplied to lumen adjustment switch locator for 1.5 seconds and magnet must be removed for 1 second between switching.
- NOTE: fixture blinks 1x for the lowest lumen setting; 2x's for the middle lumen setting, and 3x's for the highest lumen setting.
- Once the fixture is set and magnet removed, it stays in programming mode for 2 minutes.
- After 2 minutes, the memory is set.
- To change the output brightness, return to programming mode by holding magnet on magnetic locator for 1.5 seconds.
- NOTE: Fixture reverts back to original factory setting when put back into programming mode.



**PROGRAMMING MODE**

Lumen Level Table (For 2700K/3000K)			
	Level 1	Level 2	Level 3
Small Accent 16015-16017	100 Lm	*200 Lm	300 Lm
Large Accent 16018-16020	*400 Lm	650 Lm	950 Lm

\* DENOTES FACTORY SETTING

**Wire Gauge/Power/Length Chart**

Power (W)	Wire Gauge/Length (ft/m)			
	10	12	14	16
0 - 20	1860/567	1150/351	730/223	450/137
40	930/283	580/177	370/113	230/70
60	620/189	390/119	240/73	150/46
80	470/143	290/88	180/55	110/34
100	370/113	230/70	140/43	90/27

**Fixture Load Chart**

Fixture Style	Lumen Level	AC Voltage (VA)			DC Voltage (W)		
		9V	12V	15V	9V	12V	15V
Large	3	23	22.5	22.5	18.5	16.5	16
Large	2	16	15.5	15.5	12.5	11	11
Large	1	9	9	9	7	6	6
Small	3	7.5	7.5	8	5.5	5.5	5.5
Small	2	5.5	5.5	5.5	3.5	3.5	3.5
Small	1	3.5	3.5	3.5	2	2	2

NOTE: When sizing your transformer please use the highest VA you expect to use depending on desired lumen level to prevent potentially overloading the transformer.

